

## 2/2-way solenoid valve brass type MV06



**description:**

2/2-way solenoid valve made of brass, membrane design for high flow rates. Ideal for machine and plant engineering. This valve switches at 0 bar. Force pilot controlled valve.

**features:**

- Suitable for neutral, not neutral, **liquid & gaseous media**
- Mounting position: any, solenoid preferably above

**connection:**

3/8", 1/2", 3/4", 1", 1 1/4",  
1 1/2", 2" inch

**control:**

force pilot  
controlled

**function:**

NC – normally closed  
NO – normally open

**pressure:**

-1,0 – 10,0 bar – depending on design

**design:**

**diameter:**

**body material:**

**seal:**

**voltage:**

**voltage tolerance:**

**power consumption:**

**duty:**

**plug socket:**

**plug:**

**viscosity:**

**temperature:**

seat valve with membrane

DN16, DN20, DN25, DN32, DN40, DN50

brass

EPDM, FKM, NBR

230V 50Hz or 24V DC or 110V AC

+/- 10% acc. VDE 0580

230V 50Hz: 20 VA / up to DN32 57VA

24V DC: 20 Watt / up to DN 32 45 Watt

100 % ED

IP65 with plug socket mounted acc. DIN EN 175301-803 Form A

cable diameter 6-8 mm, thread PG 9, design A

≤20CST

ambient: max. + 50°C

media: EPDM – 10°C up to +130°C

FKM – 10°C up to +120°C

NBR – 10°C up to +90°C

**options:**

**Explosion proof**

for coil (up to DN25, only NC-valves 0 – 6 bar):

II 2G Ex mb IIC T4 Gb, II 2D Ex mb tb IIIC T130°C Db

incl. cable: 3,00 m length

6,80 mm thickness

3 line cors

1,00 mm<sup>2</sup> cable cross section

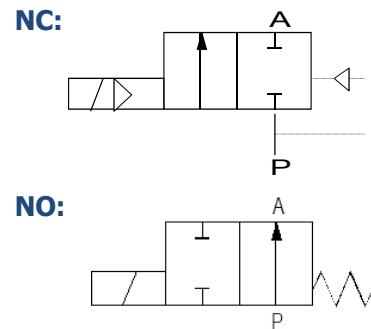
**Vacuum**

with pressure range from -1 bar to 5 bar

connection	DN	max. pressure (in bar)						flow rate
		NC – normally closed				NO – normally open		
		230V 50Hz	24V DC	Ex-proof	vacuum	230V 50Hz	24V DC	
G 3/8" inch	16	0,0 – 10,0	0,0 – 8,0	0,0 – 6,0	-1,0 – 5,0	0,0 – 7,0	0,0 – 5,0	4,1 m <sup>3</sup> /h
G 1/2" inch	16	0,0 – 10,0	0,0 – 8,0	0,0 – 6,0	-1,0 – 5,0	0,0 – 7,0	0,0 – 5,0	4,1 m <sup>3</sup> /h
G 3/4" inch	20	0,0 – 10,0	0,0 – 8,0	0,0 – 6,0	-1,0 – 5,0	0,0 – 7,0	0,0 – 5,0	6,5 m <sup>3</sup> /h
G 1" inch	25	0,0 – 10,0	0,0 – 8,0	0,0 – 6,0	-1,0 – 5,0	0,0 – 7,0	0,0 – 5,0	10,2 m <sup>3</sup> /h
G 1 1/4" inch	32	0,0 – 10,0	0,0 – 6,0	-	-1,0 – 5,0	0,0 – 7,0	0,0 – 5,0	20,6m <sup>3</sup> /h
G 1 1/2" inch	40	0,0 – 10,0	0,0 – 6,0	-	-1,0 – 5,0	0,0 – 7,0	0,0 – 5,0	24,9 m <sup>3</sup> /h
G 2" inch	50	0,0 – 10,0	0,0 – 6,0	-	-1,0 – 5,0	0,0 – 7,0	0,0 – 5,0	41,2 m <sup>3</sup> /h

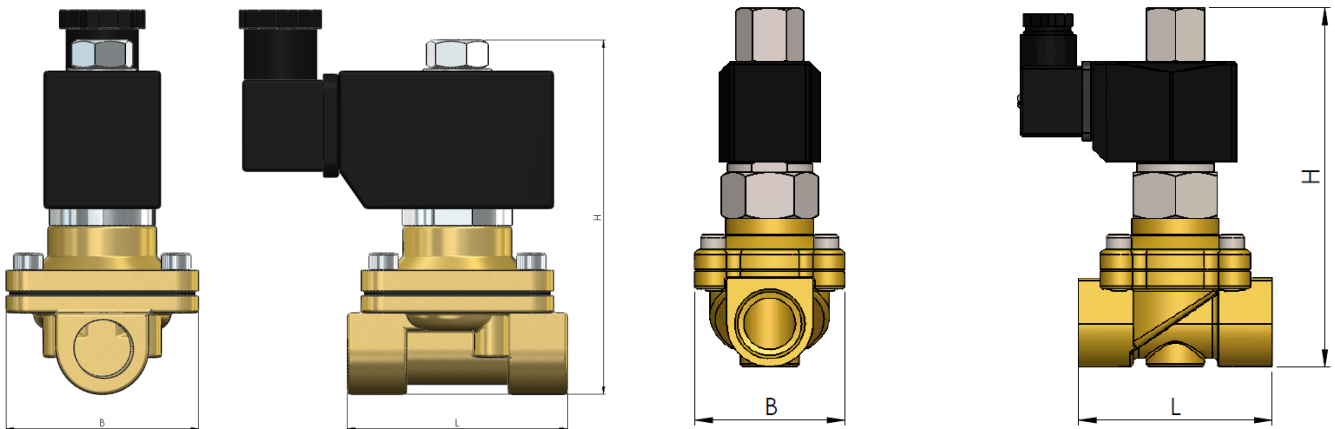
**dimensions:**

connection	DN	L	B	H (NC)	H (NO)
3/8" inch	16	69	57	106	135
1/2" inch	16	69	57	106	135
3/4" inch	20	73	57	114	142
1" inch	25	99	77	121	150
1 1/4" inch	32	112	87	150	180
1 1/2" inch	40	123	94	160	190
2" inch	50	168	123	183	216



**NC - version:**

**NO - version:**



**\*) dimensions for the ATEX version could vary.  
Test meeting the requirement of PED acc. to DIN EN 12266-1:**

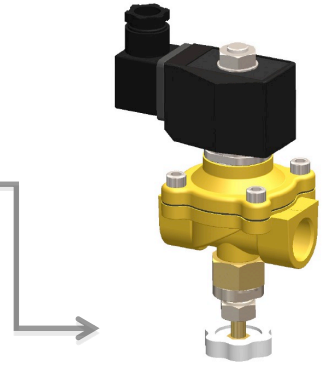
The tightness corresponds to the specified leakage rates\*:

type	soft seat**
MV06	A

\* acc. to EN 12266-1

\*\* Soft Seat: EPDM, FKM, NBR

**options on request:** without oil and fat  
 plug socket mounted with LED  
 bracket  
 manual actuation  
 Ex II 2G Ex mb IIC T4 Gb  
 II 2D Ex mb tb IIIC T130°C Db  
 normally open (NO) up to 8 bar



**article number:**

Type	Voltage	Seal	Function	Option	Size
<b>MV06</b>	<b>1 – 230V 50Hz</b> 2 – 24V DC* 3 – 110V AC**	<b>1 - EPDM</b> 2 – FKM 4 - NBR	0 – NC normally closed <b>1 – NO normally open***</b>	<b>0 – Standard</b> 1 – Ex-proof**** 2 – Vacuum*****	02 – 3/8" 03 – 1/2" <b>04 – 3/4"</b> 05 – 1" 06 – 1 1/4" 07 – 1 1/2" 08 – 2"

**example No. MV06111004:**

<b>MV06</b>	<b>1</b>	<b>1</b>	<b>1</b>	<b>0</b>	<b>04</b>
-------------	----------	----------	----------	----------	-----------

2/2 way solenoid valve

Voltage: 230V 50Hz  
 Seal: EPDM  
 Function: NO normally open  
 Version: Standard  
 Size: 3/4"

Note:

- \* direct current reduces the working pressure
- \*\* 110V AC version only available as NC – normally closed without Ex-proof and without vacuum
- \*\*\* NO – normally open version max. pressure 0 – 7 bar
- \*\*\*\* Explosion proof only available up to DN25 and as NC – normally closed function and reduced pressure
- \*\*\*\*\* Vacuum version not available as 110V AC voltage and only as NC – normally closed function

Image similar, subject change without notice.