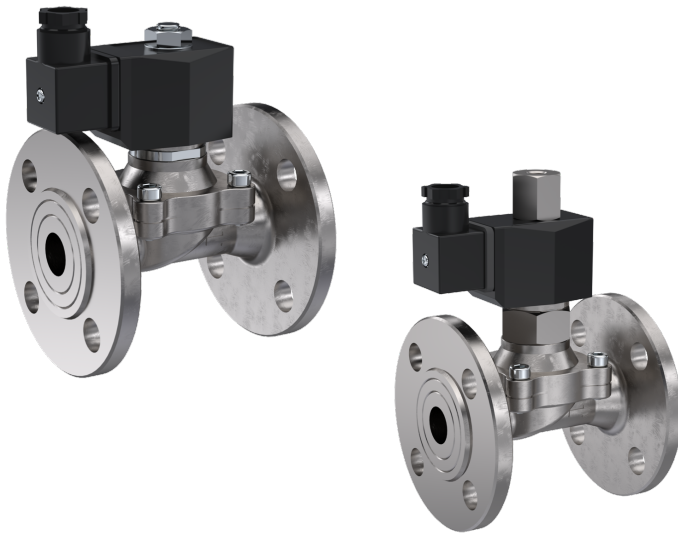


2/2-way solenoid valve stainless steel type FV01



description:

2/2-way flange solenoid valve made of stainless steel, with membrane for high flow rates. Design with flange connection. Ideal for machine and plant engineering. This valve switches at 0 bar (force pilot operated)

product features:

- Suitable for **liquid & gaseous, neutral and not neutral media**
- Mounting position: any, preferably solenoid above
- with flange-connection

connection:

DN15, DN25, DN32, DN40, DN50, DN65, DN80, DN100

control:

force pilot operated

function:

NC – normally closed
NO – normally open

pressure:

0,0 – 10 bar – depending on design

design:

seat valve with membrane

diameter:

DN25, DN32, DN40, DN50, DN65, DN80, DN100

body material:

stainless steel 1.4308

seal:

EPDM, NBR, FKM

voltage:

230V 50Hz 24V DC

voltage tolerance:

+/- 10% acc. VDE 0580

duty:

100 % ED

plug socket:

IP65 with plug socket mounted acc. DIN EN 175301-803 Form A

viscosity:

≤20CST

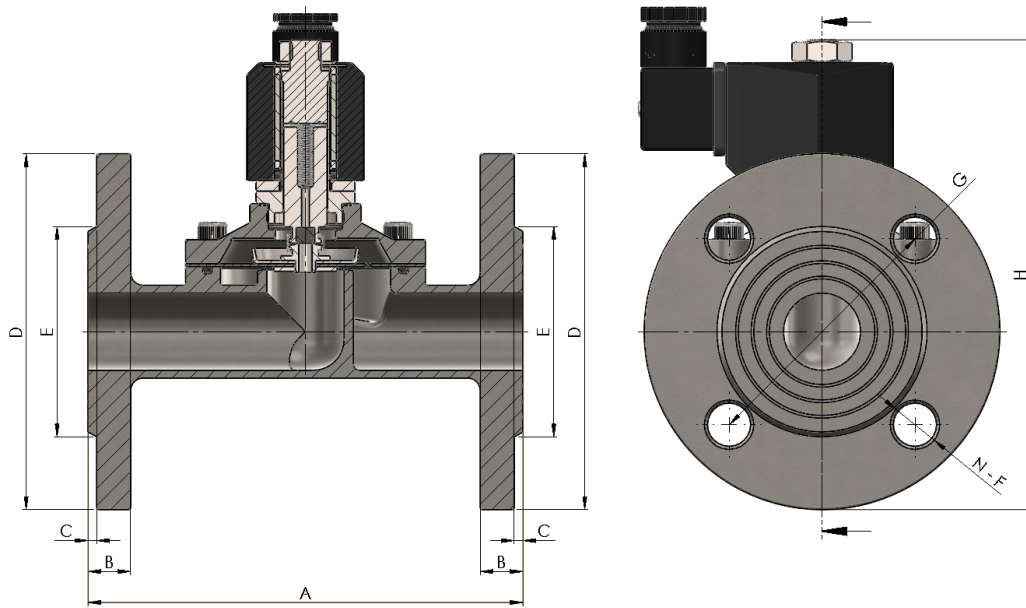
temperature:

ambient: max. + 50°C
media: FKM – 10°C up to +120°C
 EPDM – 10°C up to +130°C

DN	Max. pressure 230V (24V DC)		Connection	KV-value	Power consumption	
	NC	NO			NC	NO
15	0,0 – 10 bar (8 bar*)	0,0 – 5 bar	FL DN15	4,1 m³/h	20 VA / 20 W	33 VA / 20 W
20	0,0 – 10 bar (8 bar*)	0,0 – 5 bar	FL DN20	6,5 m³/h	20 VA / 20 W	33 VA / 20 W
25	0,0 – 10 bar (8 bar*)	0,0 – 5 bar	FL DN25	10,2 m³/h	20 VA / 20 W	33 VA / 20 W
32	0,0 – 10 bar (6 bar*)	0,0 – 5 bar	FL DN32	20,5 m³/h	57 VA / 45 W	70 VA / 55 W
40	0,0 – 10 bar (6 bar*)	0,0 – 5 bar	FL DN40	24,7 m³/h	57 VA / 45 W	70 VA / 55 W
50	0,0 – 10 bar (6 bar*)	0,0 – 5 bar	FL DN50	40,9 m³/h	57 VA / 45 W	70 VA / 55 W
65	0,0 – 6 bar (5 bar*)	-	FL DN65	64 m³/h	57 VA / 64 W	-
80	0,0 – 6 bar (5 bar*)	-	FL DN80	76,8 m³/h	57 VA / 64 W	-
100	0,0 – 6 bar (5 bar*)	-	FL DN100	136,5 m³/h	57 VA / 64 W	-

* direct current reduces the working pressure

options: without oil and fat
plug socket mounted with LED



dimensions:

DN		A	B	C	øD	øE	N-øF	øG	H	NC	NO	Flange
15	1/2"	106	12	2	95	45	4-14	65	138	162		PN10-40
20	3/4"	106	12	2	102	56	4-14	75	141	165		PN10-40
25	1"	140	14	2	115	62	4-14	85	160	180		PN10-40
32	1 1/4"	152	15	2	135	76	4-18	100	215	235		PN10-40
40	1 1/2"	152	15	2	145	84	4-18	110	215	240		PN10-40
50	2"	195	16	2	160	98	4-18	125	220	255		PN10-40
65	2 1/2"	250	19	3	185	118	4-18	145	308	-		PN10-40*
80	3"	270	19	3	202	134	4-18	160	320	-		PN10-40*
100	4"	342	21	3	222	162	8-18	180	345	-		PN10-16

Flanges acc. To DIN EN 1092-1

article number:

Type	Voltage	Seal	Function	Version	Size
FV01	1 – 230V 50Hz 2 – 24V DC	1 – EPDM 2 – FKM	0 – NC normally closed 1- NO normally open*	0 – flange PN10-40**	05 – DN25 06 – DN32 07 – DN40 08 – DN50 09 – DN65 10 – DN80 11 – DN100

Example no. FV01120007:

FV01 | **1** | **2** | **0** | **0** | **07**

2/2 way solenoid valve stainless steel
 Voltage: 230V 50Hz
 Seal: FKM
 Function: NC normally closed
 Version: flange PN10-40
 Size: DN40

* NO available up to DN50

** DN100: flange PN10-16

Image similar, subject change without notice.