

## 3/2-ways solenoid valve stainless steel type EV08



**Description:**

2/2-way solenoid valve made of stainless steel, very compact design for high flow rates. Ideal for machine and plant engineering.

**Product features:**

- Suitable for neutral and non-neutral **liquid and non-flammable, gaseous media**
- mounting position: any, preferably solenoid above

**Connection:**  
1/4" inch

**Control:**  
Direct acting

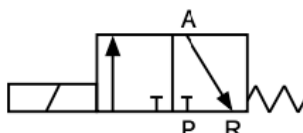
**Function:**  
NC – normally closed

**Pressure:**  
0 – 11 bar – depending on design

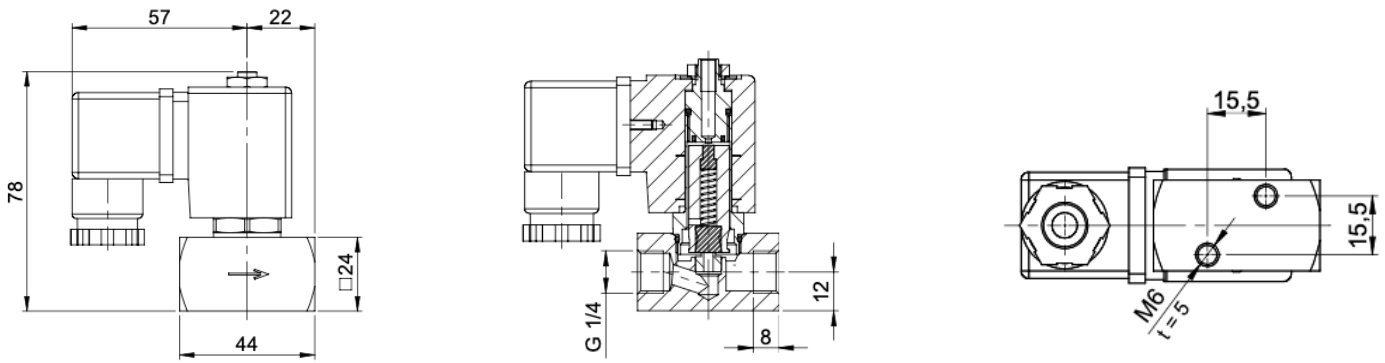
<b>Design:</b>	Seat valve
<b>Diameter:</b>	DN 1,0 / DN 1,5 / DN 2,0 / DN 2,5
<b>Body material:</b>	Stainless steel 1.4305
<b>Seal:</b>	FKM, EPDM
<b>Voltage:</b>	230V 50Hz            24V DC
<b>Voltage tolerance:</b>	+/- 10% acc. VDE 0580
<b>Power consumption:</b>	230V 50Hz:            15 VA
	24V DC                 18 Watt
<b>Duty:</b>	100 % ED
<b>Plug socket:</b>	IP65 is plug socket mounted acc. DIN EN 175301-803 form A
<b>Plug:</b>	Cable diameter 8 mm, thread PG 9, design A
<b>Temperature:</b>	Ambient:                max. + 50°C
	Media:                    FKM -10°C up to +120°C
	EPDM -10°C up to +130°C

DN	Max. pressure	Connection	Flow rate
1,0 mm	0 – 11 bar	G 1/4" inch	0,7 l/min
1,5 mm	0 – 9 bar	G 1/4" inch	1,3 l/min
2,0 mm	0 – 7 bar	G 1/4" inch	2,3 l/min
2,5 mm	0 – 6 bar	G 1/4" inch	3,0 l/min

**Switch function:**  
NC (normally closed)



**Dimensions:**



**Test meeting the requirement of PED acc. to DIN EN 12266-1:**

The tightness corresponds to the specified leakage rates\*:

type	soft seat**
EV08	A

\* acc. to EN 12266-1

\*\* Soft Seat: EPDM, FKM

**Optionen (on request):**

- Cleaning: free of oil- and grease / silicone / PWIS
- Explosion proof coil: II 2G Ex mb IIC T4 Gb, II 2D Ex mb tb IIIC T130°C Db
- Special voltages
- Plug socket with LED
- Special connection: NPT

**Article number:**

Type	Voltage	Seal	Function	Version	Size
<b>EV08</b>	<b>1 – 230V 50Hz</b> 2 – 24V DC	1 – EPDM 2 – FKM	<b>0 – NC normally closed</b>	<b>0 – standard</b>	10 – DN 1,0 <b>15 – DN 1,5</b> 20 – DN 2,0 25 – DN 2,5

**Example no. EV08120015:**

<b>EV08</b>	<b>  1</b>	<b>  2</b>	<b>  0</b>	<b>  0</b>	<b>  15</b>
-------------	------------	------------	------------	------------	-------------

3/2 way solenoid valve stainless steel with 1/4" connection  
 Voltage: 230V 50Hz  
 Seal: FKM  
 Function: NC normally closed  
 Version: standard  
 Size: DN 1,5

Image similar, subject change without notice.