

2/2-way solenoid valve stainless steel type EV06



description:

2/2-way solenoid valve made of stainless steel, with membrane for high flow rates. Ideal for machine and plant engineering. This valve switches at 0 bar (force pilot operated)

features:

- Suitable for **liquid & gaseous, neutral and not neutral media**
- Mounting position: any, preferably solenoid upwards

connection:

3/8", 1/2", 3/4", 1", 1 1/4",
1 1/2", 2" inch

control:

force pilot
operated

function:

NC – normally closed
NO – normally open

pressure:

-1,0 – 10,0 bar – depending on design

design:

diameter:

body material:

seal:

voltage:

voltage tolerance:

power consumption:

duty:

plug socket:

plug:

viscosity:

temperature:

seat valve with membrane

DN16, DN20, DN25, DN32, DN40, DN50

Stainless steel 1.4308

EPDM, FKM, NBR

230V 50Hz or 24V DC or 110 V AC

+/- 10% acc. VDE 0580

230V 50Hz: 20 VA / from DN32 57VA

24V DC: 20 Watt / from DN 32 45 Watt

100 % ED

IP65 is plug socket mounted DIN EN 175301-803 Form A

cable diameter 6-8 mm, thread PG 9, design A

≤20CST

ambient: max. + 50°C

media: EPDM – 10°C up to +130°C

FKM – 10°C up to +120°C

NBR – 10°C up to +90°C

options:

Explosion proof

for coil (up to DN25, only NC-valves 0 – 6 bar):

II 2G Ex mb IIC T4 Gb, II 2D Ex mb tb IIIC T130°C Db

incl. cable: 3,00 m length

6,80 mm thickness

3 line cors

1,00 mm² cable cross section

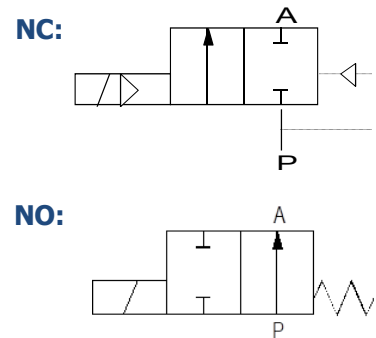
Vacuum

with pressure range from -1 bar to 5 bar

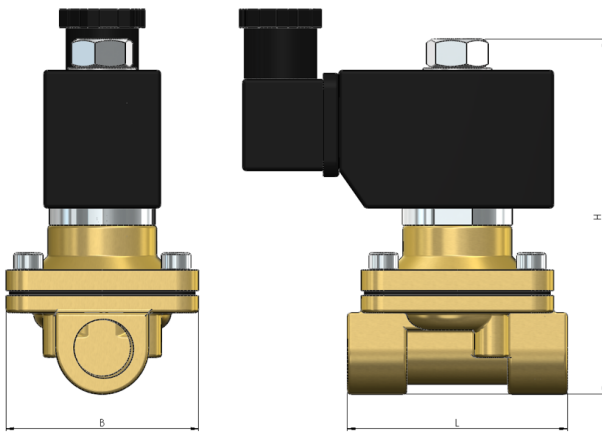
connection	DN	max. pressure (in bar)						flow rate
		NC – normally closed				NO – normally open		
		230V 50Hz	24V DC	Ex-proof	vacuum	230V 50Hz	24V DC	
G 3/8" inch	16	0,0 – 10,0	0,0 – 8,0	0,0 – 6,0	-1,0 – 5,0	0,0 – 7,0	0,0 – 5,0	4,1 m ³ /h
G 1/2" inch	16	0,0 – 10,0	0,0 – 8,0	0,0 – 6,0	-1,0 – 5,0	0,0 – 7,0	0,0 – 5,0	4,1 m ³ /h
G 3/4" inch	20	0,0 – 10,0	0,0 – 8,0	0,0 – 6,0	-1,0 – 5,0	0,0 – 7,0	0,0 – 5,0	6,5 m ³ /h
G 1" inch	25	0,0 – 10,0	0,0 – 8,0	0,0 – 6,0	-1,0 – 5,0	0,0 – 7,0	0,0 – 5,0	10,2 m ³ /h
G 1 1/4" inch	32	0,0 – 10,0	0,0 – 6,0	-	-1,0 – 5,0	0,0 – 7,0	0,0 – 5,0	20,6m ³ /h
G 1 1/2" inch	40	0,0 – 10,0	0,0 – 6,0	-	-1,0 – 5,0	0,0 – 7,0	0,0 – 5,0	24,9 m ³ /h
G 2" inch	50	0,0 – 10,0	0,0 – 6,0	-	-1,0 – 5,0	0,0 – 7,0	0,0 – 5,0	41,2 m ³ /h

dimensions:

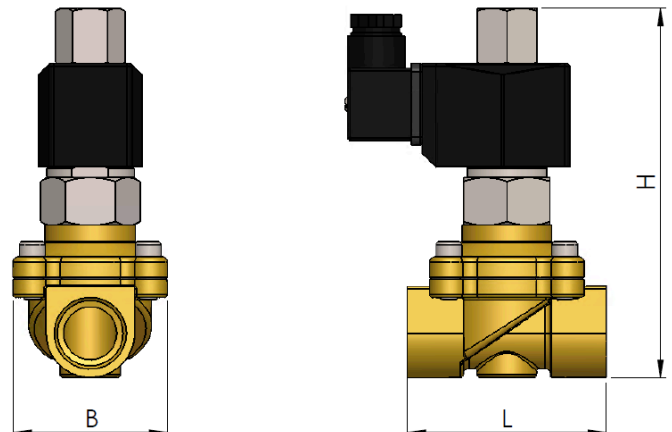
connection	DN	L	B	H (NC)	H (NO)
3/8" inch	16	69	57	106	135
1/2" inch	16	69	57	106	135
3/4" inch	20	73	57	114	142
1" inch	25	99	77	121	150
1 1/4" inch	32	112	87	150	180
1 1/2" inch	40	123	94	160	190
2" inch	50	168	123	183	216



NC - Version:



NO - Version:



*) dimensions for the ATEX version could vary.

Test meeting the requirement of PED acc. to DIN EN 12266-1:

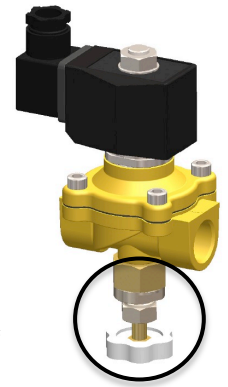
The tightness corresponds to the specified leakage rates*:

type	soft seat**
EV06	A

* acc. to EN 12266-1

** Soft Seat: EPDM, FKM, NBR

options on request: without oil and fat
 plug socket mounted with LED
 bracket
 manual actuation
 Ex II 2G Ex mb IIC T4 Gb
 II 2D Ex mb tb IIIC T130°C Db
 normally open (NO) up to 8 bar



article number:

Type	Voltage	Seal	Function	Option	Size
EV06	1 – 230V 50Hz 2 – 24V DC* 3 – 110V AC**	1 - EPDM 2 – FKM 4 - NBR	0 – NC normally closed 1 – NO normally open***	0 – Standard 1 – Ex-proof**** 2 – Vacuum*****	02 – 3/8" 03 – 1/2" 04 – 3/4" 05 – 1" 06 – 1 1/4" 07 – 1 1/2" 08 – 2"

example No. EV06111004:

EV06	1	1	1	0	04
-------------	----------	----------	----------	----------	-----------

2/2 way solenoid valve stainless steel
 Voltage: 230V 50Hz
 Seal: EPDM
 Function: NO normally open
 Version: Standard
 Size: 3/4"

Note:

- * direct current reduces the working pressure
- ** 110V AC version only available as NC – normally closed without Ex-proof and without vacuum
- *** NO – normally open version max. pressure 0 – 7 bar
- **** Explosion proof only available up to DN25 and as NC – normally closed function and reduced pressure
- ***** Vacuum version not available as 110V AC voltage and only as NC – normally closed function

Image similar, subject change without notice.