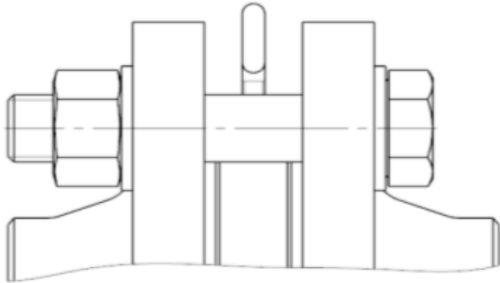


Joint sets



description:

Joint sets for flange to flange, swing check valve to flange, butterfly valve to flange, check valve to flange and dual plate check valve to flange.

product features:

- screws acc. to DIN 933
- nuts acc. to DIN 934
- washer acc. to DIN 125
- metric thread

diameter:

DN10 – DN300

connection:

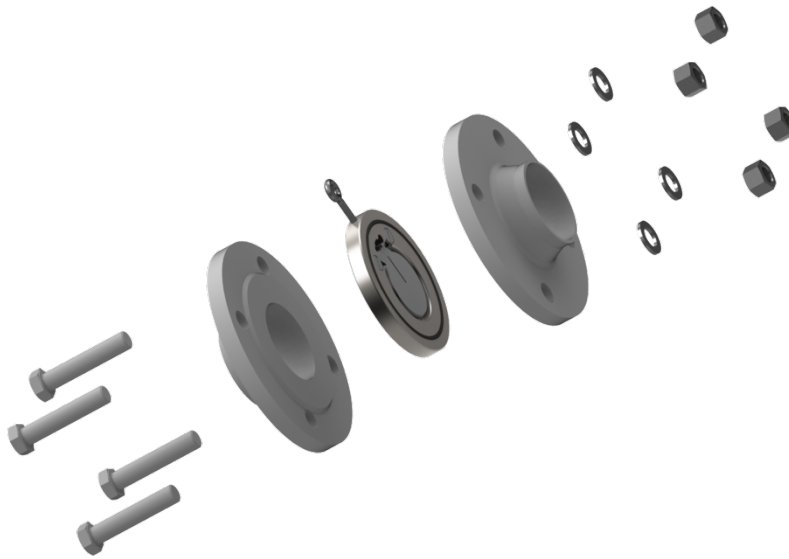
flange PN6, PN10, PN16, PN25, PN40

flange to flange:

flange/flange stainless steel						
DN	flange	material	art.-no.	component 1	component 2	component 3
10	PN10/16/25/40	stainless steel	VS01000102	4x screw M12x50mm	4x nut M12	8x washer M12
15	PN10/16/25/40	stainless steel	VS01000103	4x screw M12x50mm	4x nut M12	8x washer M12
20	PN10/16/25/40	stainless steel	VS01000104	4x screw M12x55mm	4x nut M12	8x washer M12
25	PN10/16/25/40	stainless steel	VS01000105	4x screw M12x55mm	4x nut M12	8x washer M12
32	PN10/16/25/40	stainless steel	VS01000106	4x screw M16x60mm	4x nut M16	8x washer M16
40	PN10/16/25/40	stainless steel	VS01000107	4x screw M16x60mm	4x nut M16	8x washer M16
50	PN10/16/25/40	stainless steel	VS01000108	4x screw M16x60mm	4x nut M16	8x washer M16
65	PN10/16/25	stainless steel	VS01000109	4x screw M16x60mm	4x nut M16	8x washer M16
	PN40	stainless steel	VS01000409	4x screw M16x65mm	4x nut M16	8x washer M16
80	PN10/16/25	stainless steel	VS01000110	8x screw M16x60mm	8x nut M16	16x washer M16
	PN40	stainless steel	VS01000410	8x screw M16x70mm	8x nut M16	16x washer M16
100	PN10/16/25	stainless steel	VS01000111	8x screw M16x60mm	8x nut M16	16x washer M16
	PN40	stainless steel	VS01000411	8x screw M20x75mm	8x nut M20	16x washer M20
125	PN10/16/25	stainless steel	VS01000112	8x screw M16x65mm	8x nut M16	16x washer M16
	PN40	stainless steel	VS01000412	8x screw M24x80mm	8x nut M24	16x washer M24
150	PN10/16/25	stainless steel	VS01000113	8x screw M16x70mm	8x nut M16	16x washer M16
200	PN10	stainless steel	VS01000114	8x screw M20x75mm	8x nut M20	16x washer M20
	PN16	stainless steel	VS01000214	12x screw M20x75mm	12x nut M20	24x washer M20
	PN40	stainless steel	VS01000414	12x screw M27x110mm	12x nut M27	24x washer M27
250	PN10	stainless steel	VS01000115	12x screw M20x75mm	12x nut M20	24x washer M20
	PN16	stainless steel	VS01000215	12x screw M24x80mm	12x nut M24	24x washer M24
	PN40	stainless steel	VS01000415	12x screw M30x120mm	12x nut M30	24x washer M30
300	PN10	stainless steel	VS01000116	12x screw M20x75mm	12x nut M20	24x washer M20
	PN25	stainless steel	VS01000316	12x screw M27x110mm	12x nut M27	24x washer M27

flange/flange steel						
DN	flange	material	art.-no.	component 1	component 2	component 3
10	PN10/16/25/40	steel plated	VS01010102	4x screw M12x50mm	4x nut M12	8x washer M12
15	PN10/16/25/40	steel plated	VS01010103	4x screw M12x50mm	4x nut M12	8x washer M12
20	PN10/16/25/40	steel plated	VS01010104	4x screw M12x55mm	4x nut M12	8x washer M12
25	PN10/16/25/40	steel plated	VS01010105	4x screw M12x55mm	4x nut M12	8x washer M12
32	PN10/16/25/40	steel plated	VS01010106	4x screw M16x60mm	4x nut M16	8x washer M16
40	PN10/16/25/40	steel plated	VS01010107	4x screw M16x60mm	4x nut M16	8x washer M16
50	PN10/16/25/40	steel plated	VS01010108	4x screw M16x60mm	4x nut M16	8x washer M16
65	PN10/16/25	steel plated	VS01010109	4x screw M16x60mm	4x nut M16	8x washer M16
	PN40	steel plated	VS01010409	4x screw M16x65mm	4x nut M16	8x washer M16
80	PN10/16/25	steel plated	VS01010110	8x screw M16x60mm	8x nut M16	16x washer M16
	PN40	steel plated	VS01010410	8x screw M16x70mm	8x nut M16	16x washer M16
100	PN10/16/25	steel plated	VS01010111	8x screw M16x60mm	8x nut M16	16x washer M16
	PN40	steel plated	VS01010411	8x screw M20x75mm	8x nut M20	16x washer M20
125	PN10/16/25	steel plated	VS01010112	8x screw M16x65mm	8x nut M16	16x washer M16
	PN40	steel plated	VS01010412	8x screw M24x80mm	8x nut M24	16x washer M24
150	PN10/16/25	steel plated	VS01010113	8x screw M16x70mm	8x nut M16	16x washer M16
	PN40	steel plated	VS01010413	8x screw M24x85mm	8x nut M24	16x washer M24
200	PN10	steel plated	VS01010114	8x screw M20x75mm	8x nut M20	16x washer M20
	PN16	steel plated	VS01010214	12x screw M20x75mm	12x nut M20	24x washer M20
	PN25	steel plated	VS01010314	12x screw M24x95mm	12x nut M24	24x washer M24
	PN40	steel plated	VS01010414	12x screw M27x110mm	12x nut M27	24x washer M27
250	PN10	steel plated	VS01010115	12x screw M20x75mm	12x nut M20	24x washer M20
	PN16	steel plated	VS01010215	12x screw M24x80mm	12x nut M24	24x washer M24
	PN40	steel plated	VS01010415	12x screw M30x120mm	12x nut M30	24x washer M30
300	PN10	steel plated	VS01010116	12x screw M20x75mm	12x nut M20	24x washer M20
	PN16	steel plated	VS01010216	12x screw M24x85mm	12x nut M24	24x washer M24
	PN25	steel plated	VS01010316	12x screw M27x110mm	12x nut M27	24x washer M27
	PN40	steel plated	VS01010416	12x screw M30x130mm	12x nut M30	24x washer M30

swing check valve to flange (type ZR01 to ZR04):



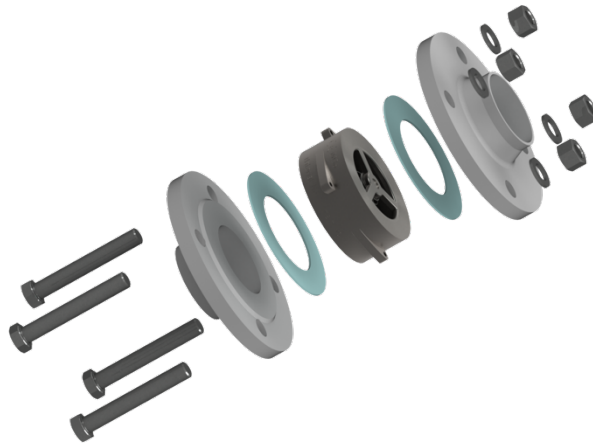
swing check valve/flange stainless steel						
DN	flange	material	art.-no.	component 1	component 2	component 3
32	PN10/16	stainless steel	VS02000106	4x screw M16x75mm	4x nut M16	8x washer M16
40	PN10/16	stainless steel	VS02000107	4x screw M16x75mm	4x nut M16	8x washer M16
50	PN10/16	stainless steel	VS02000108	4x screw M16x75mm	4x nut M16	8x washer M16
65	PN10/16	stainless steel	VS02000109	4x screw M16x75mm	4x nut M16	8x washer M16
80	PN10/16	stainless steel	VS02000110	8x screw M16x80mm	8x nut M16	16x washer M16
100	PN10/16	stainless steel	VS02000111	8x screw M16x80mm	8x nut M16	16x washer M16
125	PN10/16	stainless steel	VS02000112	8x screw M16x85mm	8x nut M16	16x washer M16
150	PN10/16	stainless steel	VS02000113	8x screw M20x90mm	8x nut M20	16x washer M20
200	PN10	stainless steel	VS02000114	8x screw M20x100mm	8x nut M20	16x washer M20
	PN16	stainless steel	VS02000214	12x screw M20x100mm	12x nut M20	24x washer M20
250	PN10	stainless steel	VS02000115	12x screw M20x110mm	12x nut M20	24x washer M20
300	PN10	stainless steel	VS02000116	12x screw M20x110mm	12x nut M20	24x washer M20

swing check valve/flange steel						
DN	flange	material	art.-no.	component 1	component 2	component 3
32	PN10/16	steel plated	VS02010106	4x screw M16x75mm	4x nut M16	8x washer M16
40	PN10/16	steel plated	VS02010107	4x screw M16x75mm	4x nut M16	8x washer M16
50	PN10/16	steel plated	VS02010108	4x screw M16x75mm	4x nut M16	8x washer M16
65	PN10/16	steel plated	VS02010109	4x screw M16x75mm	4x nut M16	8x washer M16
80	PN10/16	steel plated	VS02010110	8x screw M16x80mm	8x nut M16	16x washer M16
100	PN10/16	steel plated	VS02010111	8x screw M16x80mm	8x nut M16	16x washer M16
125	PN10/16	steel plated	VS02010112	8x screw M16x85mm	8x nut M16	16x washer M16
150	PN10/16	steel plated	VS02010113	8x screw M20x90mm	8x nut M20	16x washer M20
200	PN10	steel plated	VS02010114	8x screw M20x100mm	8x nut M20	16x washer M20
	PN16	steel plated	VS02010214	12x screw M20x100mm	12x nut M20	24x washer M20
250	PN10	steel plated	VS02010115	12x screw M20x110mm	12x nut M20	24x washer M20
300	PN10	steel plated	VS02010116	12x screw M20x110mm	12x nut M20	24x washer M20

butterfly valve to flange (type AK01 and AK03):

butterfly valve/flange steel						
DN	flange	material	art.-no.	component 1	component 2	component 3
25	PN6	steel plated	VS03010005	4x screw M10x80mm	4x nut M10	8x washer M10
	PN10	steel plated	VS03010105	4x screw M12x90mm	4x nut M12	8x washer M12
	PN16	steel plated	VS03010205	4x screw M12x90mm	4x nut M12	8x washer M12
32	PN6	steel plated	VS03010006	4x screw M12x80mm	4x nut M12	8x washer M12
	PN10	steel plated	VS03010106	4x screw M16x90mm	4x nut M16	8x washer M16
	PN16	steel plated	VS03010206	4x screw M16x90mm	4x nut M16	8x washer M16
40	PN6	steel plated	VS03010007	4x screw M12x80mm	4x nut M12	8x washer M12
	PN10	steel plated	VS03010107	4x screw M16x90mm	4x nut M16	8x washer M16
	PN16	steel plated	VS03010207	4x screw M16x90mm	4x nut M16	8x washer M16
50	PN6	steel plated	VS03010008	4x screw M12x90mm	4x nut M12	8x washer M12
	PN10	steel plated	VS03010108	4x screw M16x100mm	4x nut M16	8x washer M16
	PN16	steel plated	VS03010208	4x screw M16x100mm	4x nut M16	8x washer M16
65	PN6	steel plated	VS03010009	4x screw M12x90mm	4x nut M12	8x washer M12
	PN10	steel plated	VS03010109	4x screw M16x110mm	4x nut M16	8x washer M16
	PN16	steel plated	VS03010209	4x screw M16x110mm	4x nut M16	8x washer M16
80	PN6	steel plated	VS03010010	4x screw M16x100mm	4x nut M16	8x washer M16
	PN10	steel plated	VS03010110	8x screw M16x110mm	8x nut M16	16x washer M16
	PN16	steel plated	VS03010210	8x screw M16x110mm	8x nut M16	16x washer M16
100	PN6	steel plated	VS03010011	4x screw M16x110mm	4x nut M16	8x washer M16
	PN10	steel plated	VS03010111	8x screw M16x120mm	8x nut M16	16x washer M16
	PN16	steel plated	VS03010211	8x screw M16x120mm	8x nut M16	16x washer M16
125	PN6	steel plated	VS03010012	8x screw M16x120mm	8x nut M16	16x washer M16
	PN10	steel plated	VS03010112	8x screw M16x130mm	8x nut M16	16x washer M16
	PN16	steel plated	VS03010212	8x screw M16x130mm	8x nut M16	16x washer M16
150	PN6	steel plated	VS03010013	8x screw M16x130mm	8x nut M16	16x washer M16
	PN10	steel plated	VS03010113	8x screw M20x130mm	8x nut M20	16x washer M20
	PN16	steel plated	VS03010213	8x screw M20x130mm	8x nut M20	16x washer M20
200	PN6	steel plated	VS03010014	8x screw M16x130mm	8x nut M16	16x washer M16
	PN10	steel plated	VS03010114	8x screw M20x140mm	8x nut M20	16x washer M20
	PN16	steel plated	VS03010214	12x screw M20x140mm	12x nut M20	24x washer M20
250	PN6	steel plated	VS03010015	12x screw M16x140mm	12x nut M16	24x washer M16
	PN10	steel plated	VS03010115	12x screw M20x150mm	12x nut M20	24x washer M20
	PN16	steel plated	VS03010215	12x screw M24x160mm	12x nut M24	24x washer M24
300	PN6	steel plated	VS03010016	12x screw M20x160mm	12x nut M20	24x washer M20
	PN10	steel plated	VS03010116	12x screw M20x160mm	12x nut M20	24x washer M20
	PN16	steel plated	VS03010216	12x screw M24x170mm	12x nut M24	24x washer M24

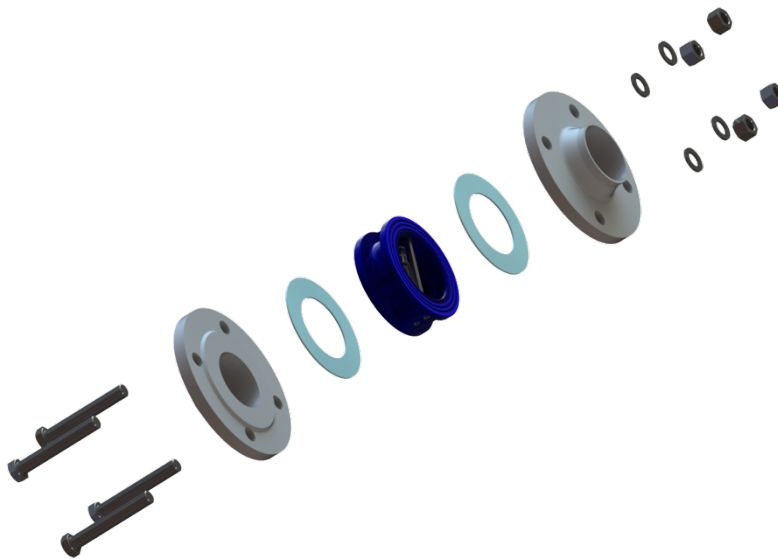
check valve to flange (type RV01 and RV02):



check valve/flange stainless steel						
DN	flange	material	art.-no.	component 1	component 2	component 3
15	PN10/16/25/40	stainless steel	VS05000103	4x screw M12x70mm	4x nut M12	8x washer M12
20	PN10/16/25/40	stainless steel	VS05000104	4x screw M12x80mm	4x nut M12	8x washer M12
25	PN10/16/25/40	stainless steel	VS05000105	4x screw M12x80mm	4x nut M12	8x washer M12
32	PN10/16/25/40	stainless steel	VS05000106	4x screw M16x90mm	4x nut M16	8x washer M16
40	PN10/16/25/40	stainless steel	VS05000107	4x screw M16x95mm	4x nut M16	8x washer M16
50	PN10/16	stainless steel	VS05000108	4x screw M16x110mm	4x nut M16	8x washer M16
	PN25/40	stainless steel	VS05000208	4x screw M16x110mm	4x nut M16	8x washer M16
65	PN10/16	stainless steel	VS05000109	4x screw M16x110mm	4x nut M16	8x washer M16
	PN25/40	stainless steel	VS05000209	4x screw M16x120mm	4x nut M16	8x washer M16
80	PN10/16	stainless steel	VS05000110	8x screw M16x120mm	8x nut M16	16x washer M16
	PN25/40	stainless steel	VS05000210	8x screw M16x130mm	8x nut M16	16x washer M16
100	PN10/16	stainless steel	VS05000111	8x screw M16x130mm	8x nut M16	16x washer M16
	PN25/40	stainless steel	VS05000211	8x screw M20x140mm	8x nut M20	16x washer M20
125	PN25/40	stainless steel	VS05000212	8x screw M24x180mm	8x nut M24	16x washer M24
150	PN10/16	stainless steel	VS05000113	8x screw M20x180mm	8x nut M20	16x washer M20
	PN25/40	stainless steel	VS05000213	8x screw M24x240mm	8x nut M24	16x washer M24

check/flange valve steel						
DN	flange	material	art.-no.	component 1	component 2	component 3
15	PN10/16/25/40	steel plated	VS05010103	4x screw M12x70mm	4x nut M12	8x washer M12
20	PN10/16/25/40	steel plated	VS05010104	4x screw M12x80mm	4x nut M12	8x washer M12
25	PN10/16/25/40	steel plated	VS05010105	4x screw M12x80mm	4x nut M12	8x washer M12
32	PN10/16/25/40	steel plated	VS05010106	4x screw M16x90mm	4x nut M16	8x washer M16
40	PN10/16/25/40	steel plated	VS05010107	4x screw M16x95mm	4x nut M16	8x washer M16
50	PN10/16	steel plated	VS05010108	4x screw M16x110mm	4x nut M16	8x washer M16
	PN25/40	steel plated	VS05010208	4x screw M16x110mm	4x nut M16	8x washer M16
65	PN10/16	steel plated	VS05010109	4x screw M16x110mm	4x nut M16	8x washer M16
	PN25/40	steel plated	VS05010209	4x screw M16x120mm	4x nut M16	8x washer M16
80	PN10/16	steel plated	VS05010110	8x screw M16x120mm	8x nut M16	16x washer M16
	PN25/40	steel plated	VS05010210	8x screw M16x130mm	8x nut M16	16x washer M16
100	PN10/16	steel plated	VS05010111	8x screw M16x130mm	8x nut M16	16x washer M16
	PN25/40	steel plated	VS05010211	8x screw M20x140mm	8x nut M20	16x washer M20
125	PN25/40	steel plated	VS05010212	8x screw M24x180mm	8x nut M24	16x washer M24
150	PN10/16	steel plated	VS05010113	8x screw M20x180mm	8x nut M20	16x washer M20
	PN25/40	steel plated	VS05010213	8x screw M24x240mm	8x nut M24	16x washer M24
200	PN10	steel plated	VS05010114	8x screw M20x220mm	8x nut M20	16x washer M20
	PN16	steel plated	VS05010214	12x screw M20x220mm	12x nut M20	24x washer M20
	PN25	steel plated	VS05010314	12x screw M24x240mm	12x nut M24	24x washer M24
250	PN10	steel plated	VS05010115	12x screw M20x230mm	12x nut M20	24x washer M20
	PN16	steel plated	VS05010215	12x screw M24x240mm	12x nut M24	24x washer M24

dual plate check valve to flange (type DR01 to DR04):



dual plate check valve/flange stainless steel						
DN	flange	material	art.-no.	component 1	component 2	component 3
50	PN10/16	stainless steel	VS06000108	4x screw M16x110mm	4x nut M16	8x Washer M16
65	PN10/16	stainless steel	VS06000109	4x screw M16x110mm	4x nut M16	8x Washer M16
80	PN10/16	stainless steel	VS06000110	8x screw M16x130mm	8x nut M16	16x Washer M16
100	PN10/16	stainless steel	VS06000111	8x screw M16x130mm	8x nut M16	16x Washer M16
125	PN10/16	stainless steel	VS06000112	8x screw M16x140mm	8x nut M16	16x Washer M16
150	PN10/16	stainless steel	VS06000113	8x screw M20x150mm	8x nut M20	16x Washer M20
200	PN10	stainless steel	VS06000114	8x screw M20x170mm	8x nut M20	16x Washer M20
	PN16	stainless steel	VS06000214	12x screw M20x170mm	12x nut M20	24x Washer M20
250	PN10	stainless steel	VS06000115	12x screw M20x200mm	12x nut M20	24x Washer M20
	PN16	stainless steel	VS06000215	12x screw M24x210mm	12x nut M24	24x Washer M24
300	PN10	stainless steel	VS06000116	12x screw M20x200mm	12x nut M20	24x Washer M20
	PN16	stainless steel	VS06000216	12x screw M24x210mm	12x nut M24	24x Washer M24

dual plate check valve/flange steel						
DN	flange	material	art.-no.	component 1	component 2	component 3
50	PN10/16	steel plated	VS06010108	4x screw M16x110mm	4x nut M16	8x washer M16
65	PN10/16	steel plated	VS06010109	4x screw M16x110mm	4x nut M16	8x washer M16
80	PN10/16	steel plated	VS06010110	8x screw M16x130mm	8x nut M16	16x washer M16
100	PN10/16	steel plated	VS06010111	8x screw M16x130mm	8x nut M16	16x washer M16
125	PN10/16	steel plated	VS06010112	8x screw M16x140mm	8x nut M16	16x washer M16
150	PN10/16	steel plated	VS06010113	8x screw M20x150mm	8x nut M20	16x washer M20
200	PN10	steel plated	VS06010114	8x screw M20x170mm	8x nut M20	16x washer M20
	PN16	steel plated	VS06010214	12x screw M20x170mm	12x nut M20	24x washer M20
250	PN10	steel plated	VS06010115	12x screw M20x200mm	12x nut M20	24x washer M20
	PN16	steel plated	VS06010215	12x screw M24x210mm	12x nut M24	24x washer M24
300	PN10	steel plated	VS06010116	12x screw M20x200mm	12x nut M20	24x washer M20
	PN16	steel plated	VS06010216	12x screw M24x210mm	12x nut M24	24x washer M24

Image similar, change without notice.