

Coaxial-valve type CV01 / CV02



Description:

2/2 way coaxial-valve to control a medium in a pipeline system. These Coaxial-valves is direct acting and can use from 0.0 bar.

Features:

- suitable for neutral and not neutral **gaseous & liquid media**
- maintenance free
- backpressure leakproof
- short switching time
- bi-directional flow direction
- installation possible in any position

Connection:

3/8" DN10, 1/2" DN15, 3/4" DN20, 1" DN25

Temperature / Media:

-20°C to +100°C

Pressure:

0,0 bar to 40,0 bar

Design:

2/2 way, direct acting

Material:

Brass, Stainless steel 1.4301

Connection:

Thread

Pressure:

to 40,0 bar

Function:

NC - normally closed

NO - normally open

Operation:

Pressure balanced, with spring return

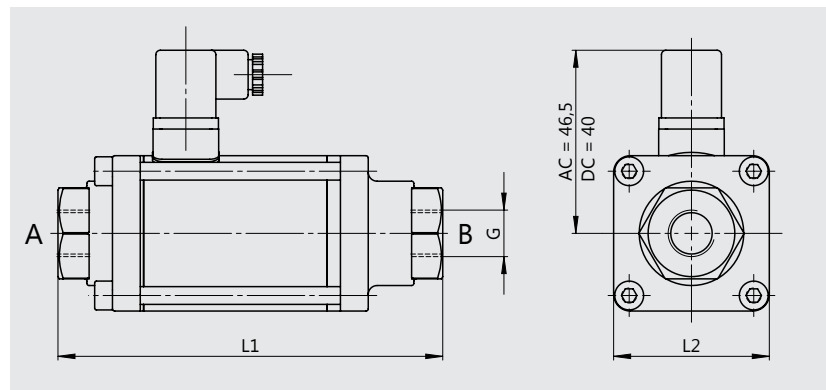
Seal:

FPM / PTFE / FPM

connection / electro:

PG 9, plug acc. to DIN EN 175301-803 form A LED

Dimension:



Technical data

	DN10	DN15	DN20	DN25
Length L1 / L2	145 mm / 50 mm	173 mm / 70 mm	193 mm / 80 mm	212 mm / 90 mm
Weight	1,7 kg	3,7 kg	5,4 kg	7,1 kg
Thread connection	G 3/8"	G 1/2"	G 3/4"	G 1"
Kv-value A -> B	2,2 m3/h	5,2 m3/h	7,5 m3/h	12,2 m3/h
Temperature media	-20°C to +100°C	-20°C to +100°C	-20°C to +100°C	-20°C to +100°C
Temperature ambient	-20°C to +60°C	-20°C to +60°C	-20°C to +60°C	-20°C to +60°C
Switching time open/close	45 ms / 70 ms	60 ms / 130 ms	105 ms / 150 ms	150 ms / 190 ms
Vacuum leak rate	< 10 ⁻⁴ mbar•l•s ⁻¹	< 10 ⁻⁴ mbar•l•s ⁻¹	< 10 ⁻⁴ mbar•l•s ⁻¹	< 10 ⁻⁴ mbar•l•s ⁻¹
Flow direction	A -> B B -> A Δp 12 bar max.	A -> B B -> A Δp 12 bar max.	A -> B B -> A Δp 12 bar max.	A -> B B -> A Δp 12 bar max.
Nominal voltage / current consumption	DC 24 V / 1,45A AC 230 V / 0,18 A	DC 24 V / 2,1A AC 230 V / 0,24 A	DC 24 V / 2,2A AC 230 V / 0,26 A	DC 24 V / 2,5A AC 230 V / 0,30 A
Insulating rating	H	H	H	H
Protection	IP 65	IP 65	IP 65	IP 65
Energized duty rating	ED 100%	ED 100%	ED 100%	ED 100%

Article number:

Type	Voltage	Function	Size
CV01 – brass	00 – 230V AC	00 – NC normally closed	02 – G 3/8"
CV02 – stainless steel	01 – 24V DC	01 – NO normally open	03 – G 1/2"
			04 – G 3/4"
			05 – G 1"

Example No. CV02010003:

CV02 | **01** | **00** | **03**

Coaxial-valve made of stainless steel
 Voltage: 24V DC
 Function: normally closed
 Size: G 1/2"

Image similar, subject change without notice.