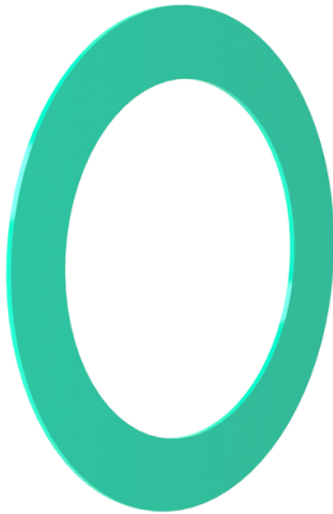


Flange gasket TYPE FD01 acc. to DIN EN 1514-1 form IBC



Description:

Flange gasket to seal Flange connections acc. to DIN EN 1092.

Features:

- Suitable for **liquid and gaseous media**
- DIN EN 1514-1, form IBC
- for EN 1092 flanges

connection:

DN10 - DN600

dimensions:

PN10, PN16, PN25, PN40

material:

C 4400

standard:

DIN EN1514-1, form IBC

for flanges:

acc. to EN 1092

connection:

PN10/16/25/40

mounting position:

free

temperature:

-100°C up to +160°C (max. +400°C with 0 bar pressure)

Working pressure:

max. 60 bar

information:

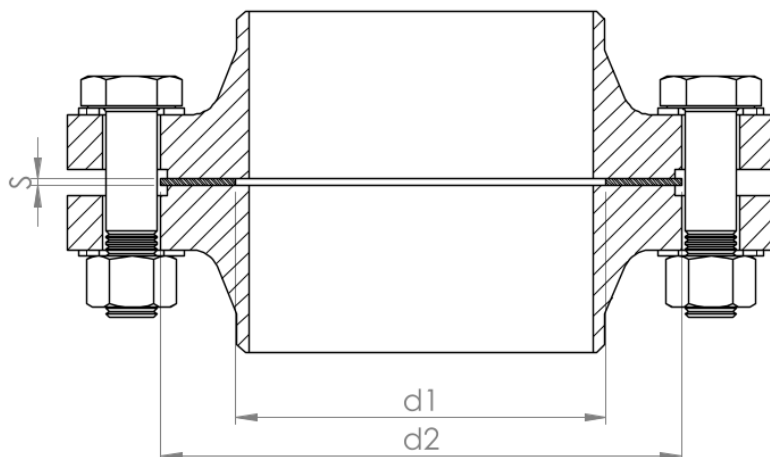
asbestos-free

approval:

DVGW, BAM, TA-Luft, ÖVGW, SVGW

application:

oils, refrigerants, hot water, steam, gases, saline solutions, fuels, acids + leach



dimensions & article number:

DN	PN	d1	d2	S	Weight	article number
10	PN10 / 16 / 25 / 40	18	46	2	0,005	FD01000102
15	PN10 / 16 / 25 / 40	22	51	2	0,005	FD01000103
20	PN10 / 16 / 25 / 40	27	61	2	0,007	FD01000104
25	PN10 / 16 / 25 / 40	34	71	2	0,010	FD01000105
32	PN10 / 16 / 25 / 40	43	82	2	0,013	FD01000106
40	PN10 / 16 / 25 / 40	49	92	2	0,016	FD01000107
50	PN10 / 16 / 25 / 40	61	107	2	0,020	FD01000108
65	PN10 / 16 / 25 / 40	77	127	2	0,025	FD01000109
80	PN10 / 16 / 25 / 40	89	142	2	0,030	FD01000110
100	PN10 / 16	115	162	2	0,034	FD01000111
	PN25 / 40	115	168	2	0,034	FD01000211
125	PN10 / 16	141	192	2	0,043	FD01000112
	PN25 / 40	141	194	2	0,043	FD01000212
150	PN10 / 16	169	218	2	0,049	FD01000113
	PN25 / 40	169	224	2	0,049	FD01000213
200	PN10 / 16	220	273	2	0,066	FD01000114
	PN25	220	284	2	0,066	FD01000314
	PN40	220	290	2	0,066	FD01000414
250	PN10	273	328	2	0,085	FD01000115
	PN16	273	329	2	0,085	FD01000215
	PN25	273	340	2	0,090	FD01000315
	PN40	273	352	2	0,090	FD01000415
300	PN10	324	378	2	0,100	FD01000116
	PN16	324	384	2	0,100	FD01000216
	PN25	324	400	2	0,125	FD01000316
	PN40	324	417	2	0,125	FD01000416
350	PN10	356	438	2	0,250	FD01000117
	PN16	356	444	2	0,250	FD01000217
	PN25	356	457	2	0,250	FD01000317
	PN40	356	474	2	0,250	FD01000417
400	PN10	407	489	2	0,350	FD01000118
	PN16	407	495	2	0,350	FD01000218
	PN25	407	514	2	0,350	FD01000318
	PN40	407	546	2	0,350	FD01000418
450	PN10	458	539	2	0,500	FD01000119
	PN16	458	555	2	0,500	FD01000219
	PN25	458	564	2	0,500	FD01000319
	PN40	458	571	2	0,500	FD01000419
500	PN10	508	594	2	0,600	FD01000120
	PN16	508	617	2	0,600	FD01000220
	PN25	508	624	2	0,600	FD01000320
	PN40	508	628	2	0,600	FD01000420
600	PN10	610	695	2	0,800	FD01000121
	PN16	610	734	2	0,800	FD01000221
	PN25	610	731	2	0,800	FD01000321
	PN40	610	747	2	0,800	FD01000421

Image similar, subject change without notice.