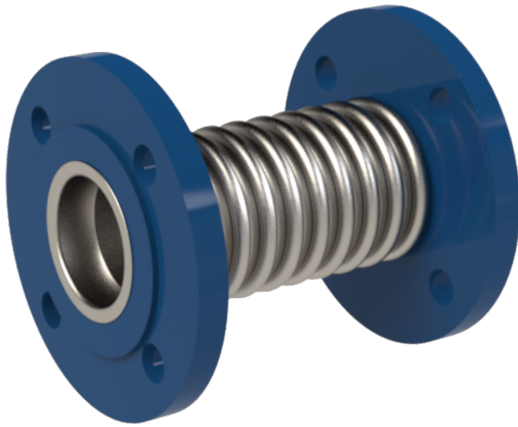


Compensators TYPE KP03



description:

A compensator is used whenever vibrations in a system have to be absorbed and movements have to be compensated.

features:

- suitable for common liquids
- compensation for tension in the system
- compensation for misalignment
- axial movement
- inner lining
- cannot be used with vacuum / low pressure

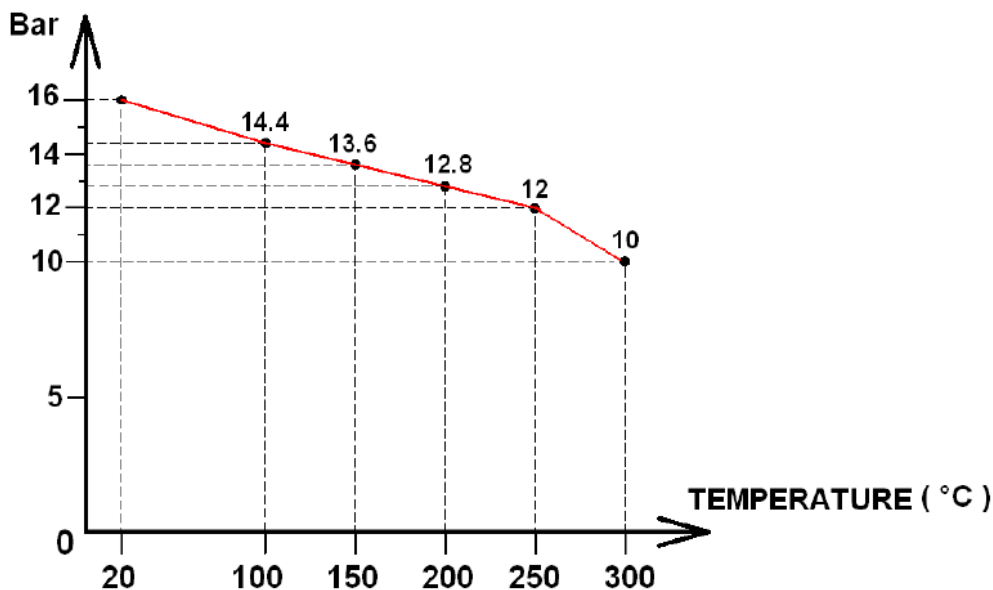
connection:
DN32 – DN250

construction:
straightway form

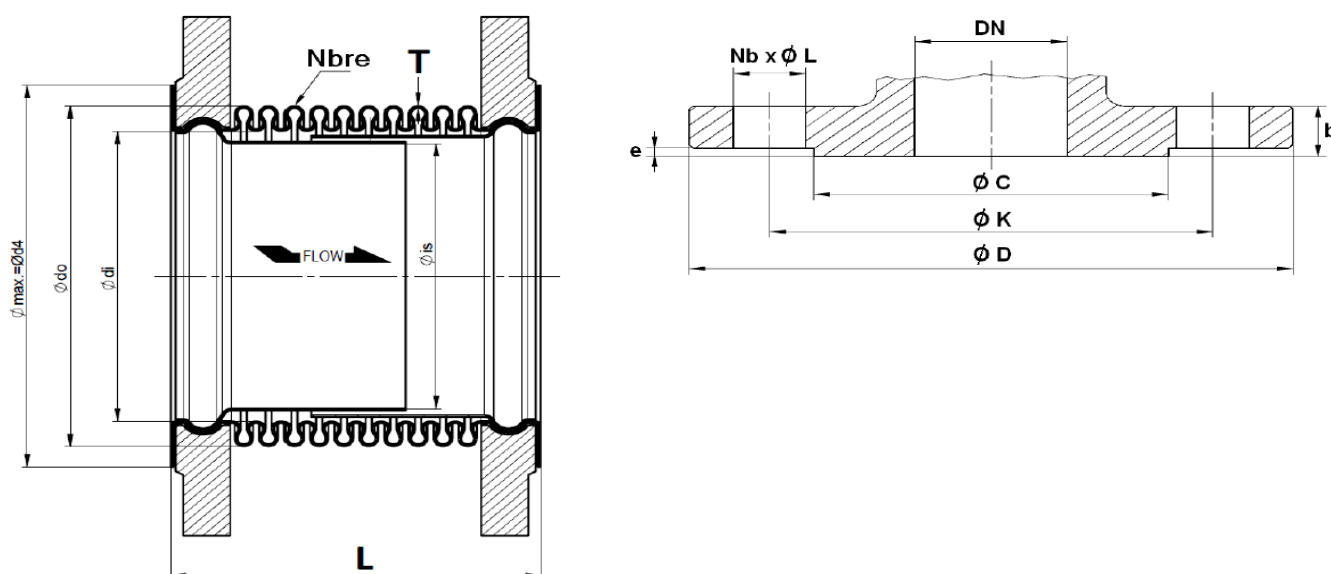
pressure:
0 – 16 bar – depending on design

| | |
|--|--|
| <p>design:</p> <p>connection:</p> <p>sleeve:</p> <p>flange material:</p> <p>pressure:</p> <p>flow direction:</p> | <p>axial expansion joint with stainless steel sleeve according to EN 14917</p> <p>flange DIN EN 1092-1 PN16</p> <p>stainless steel bellow -20°C- + 300°C</p> <p>steel</p> <p>PN16</p> <p>uni-lateral</p> |
|--|--|

pressure / temperature graph:



dimensions:

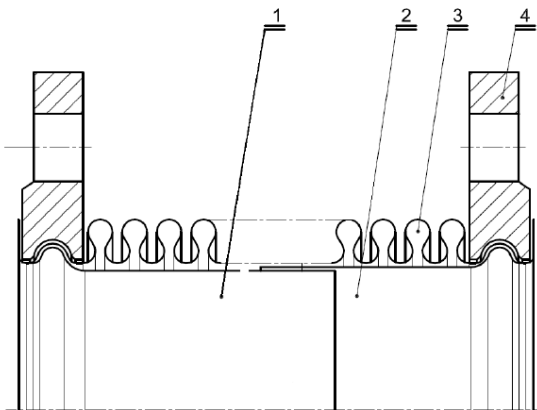


| DN | 25 | 32 | 40 | 50 | 65 | 80 | 100 | 125 | 150 | 200 | 250 |
|-----------------|--------|------|------|------|------|------|-------|-------|-------|-------|-------|
| L mm | 105 | 105 | 120 | 150 | 140 | 155 | 220 | 190 | 270 | 275 | 285 |
| Ø do | 48,2 | 55,6 | 61 | 77 | 96 | 112 | 141 | 165 | 201 | 252 | 314 |
| Ø di | 38 | 42,4 | 48,3 | 60,3 | 76,1 | 88,9 | 114,3 | 139,7 | 168,3 | 219,1 | 273 |
| Ø d4 (max) | 68 | 78 | 88 | 102 | 122 | 138 | 158 | 11888 | 212 | 168 | 320 |
| Ø is | 32 | 36 | 41,4 | 53,5 | 70 | 78 | 103,5 | 127,3 | 156 | 207 | 256 |
| T | 0,3 | 0,3 | 0,3 | 0,4 | 0,4 | 0,5 | 0,6 | 0,6 | 0,6 | 0,8 | 1 |
| Shafts quantity | 17 | 17 | 17 | 20 | 16 | 15 | 20 | 16 | 20 | 16 | 14 |
| weight kg | 2,05 | 3,09 | 3,38 | 4,62 | 5,65 | 7,02 | 8,77 | 11,24 | 15,11 | 21,07 | 31 |
| Ø C | 68 | 78 | 88 | 102 | 122 | 138 | 158 | 188 | 212 | 268 | 320 |
| Ø D | 115 | 140 | 150 | 165 | 185 | 200 | 220 | 250 | 285 | 340 | 405 |
| Ø K | 85 | 100 | 110 | 125 | 145 | 160 | 180 | 210 | 240 | 295 | 350 |
| Nb x Ø L | 4 x 14 | 4x18 | 4x18 | 4x18 | 4x18 | 8x18 | 8x18 | 8x19 | 8x23 | 12x23 | 12x27 |
| b | 16 | 16 | 16 | 18 | 18 | 20 | 20 | 22 | 22 | 24 | 26 |
| e | 2 | 2 | 2 | 3 | 3 | 3 | 3 | 3 | 3 | 3 | 4 |

movement:

| DN | 25 | 32 | 40 | 50 | 65 | 80 | 100 | 125 | 150 | 200 | 250 |
|-----------------|-----|-----|-----|-----|-----|-----|-----|-----|-----|-----|-----|
| axiale movement | ±11 | ±10 | ±13 | ±20 | ±20 | ±25 | ±32 | ±33 | ±40 | ±33 | ±40 |

materials:



| number | designation | material |
|--------|--------------|----------------------------------|
| 1 | inner lining | stainless steel 1.4541 (SS 321) |
| 2 | inner lining | stainless steel 1.4541 (SS 321) |
| 3 | bellows | stainless steel 1.4541 (SS 321) |
| 4 | flange | stainless steel 1.0037 (St 37.2) |

article number:

| Type | Connection | Sleeve | Size |
|-------------|---------------------------|-----------------------------|--|
| KP03 | 00 – flange DIN EN | 02 – stainless steel | 06 – DN32 07 – DN40 08 – DN50 09 – DN65 10 – DN80 11 – DN100 12 – DN125 13 – DN150 14 – DN200 15 – DN250 16 – DN300 |

Example Nr. KP03000210:

KP03 | **00** | **02** | **10**

compensators made of stainless steel and steel flanges

connection: flange acc. DIN EN 1092-1 PN16
 sleeve: stainless steel
 size: DN80
 flange: steel

illustration similar, technical and dimensional changes reserved.