

Butterfly Valve Type AK06 / AK07



description:

Butterfly valves made of PP or PVC-U are wafer style valves used to control liquid or gaseous media in pipeline systems.

features:

- Suitable for water, alkaline fluid networks or acid
- Notched and pad-lockable
- Centrally disc bearing
- Anti UV coated
- Position of installation can be chosen freely

connection:

DN40, DN50, DN65, DN80, DN100, DN125, DN150, DN200

temperature:

0°C to +50°C

pressure:

Up to 10,0 bar

design:

Butterfly valve wafer type

body:

AK06: PP | AK07: PVC-U

butterfly:

PP-GF

stem:

1.4301 SS

nominal pressure:

PN10

temperature:

0°C to +50°C

actuation arrangement:

Notch lever

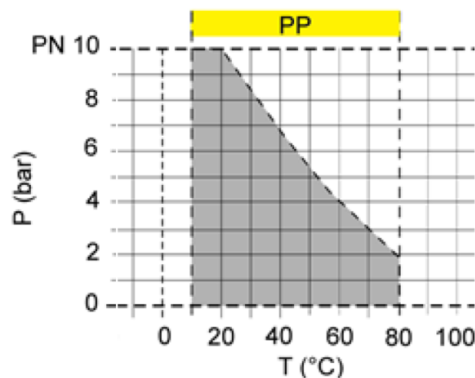
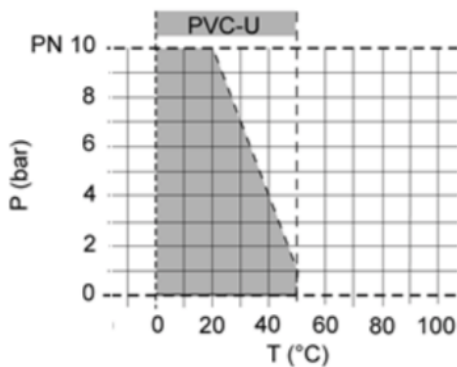
seat:

EPDM | FPM

connection:

Flange DIN 2501 PN10/16 or ANSI 150

Pressure-temperature diagram:

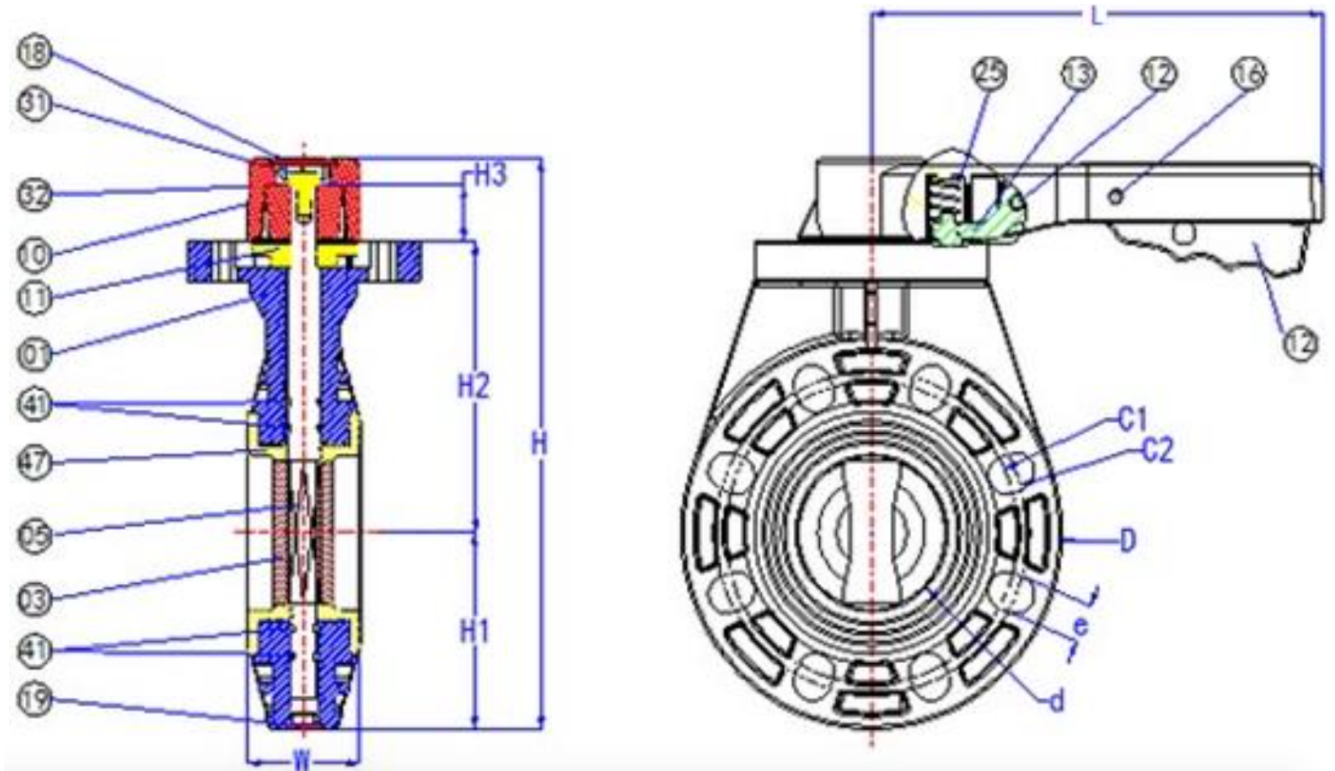


Dimensions in (mm):

DN	40	50	65	80	100	125	150	200
d	40	52	66	78,5	104	127	151	200
C1	98	120	140	150	175,5	210	240	290
C2	110	125	145	160	190,5	216	241	298
H	228	245	259	283	313	348	375	434
H1	74	81	89,5	97,5	112,5	127,5	140	172,5
H2	114	124	129	145	160	175	190	219,5
H3	15	15	19	18	19	16	20	25
D	148	162	179	195	225	255	280	340
W	34	44	46	57	60	66	72	82
L	231	231	231	231	231	280	280	280
n*-e	4-19	4-19	4-19	8-19	8-19	8-23	8-23	8-23

*hole number

No.	Description	AK06	AK07
01	Body	PP	PVC-U
03	Butterfly	PP-GF	PP-GF
05	Stem	1.4301 SS	1.4301 SS
10	Handle	ABS	ABS
11	Stem ring	PP	PVC-U
12	Trigger	PP	PVC-U
13	Latch	PP	PVC-U
16	Pin	ABS	ABS
18	Cap	ABS	ABS
19	Plug	PP	PP
25	Spring	1.4301 SS	1.4301 SS
31	Screw	1.4301 SS	1.4301 SS
32	Washer	1.4301 SS	1.4301 SS
41	Stem gaskets	EPDM	EPDM FPM
47	Liner	EPDM	EPDM FPM

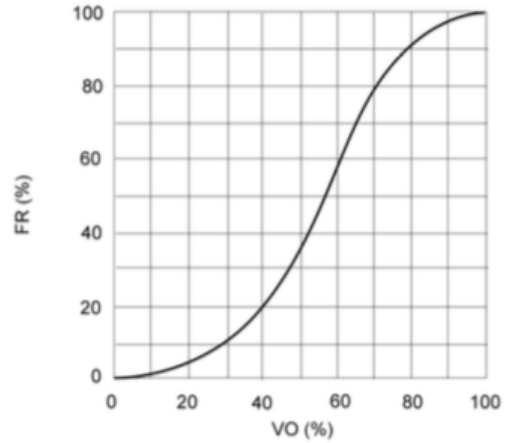
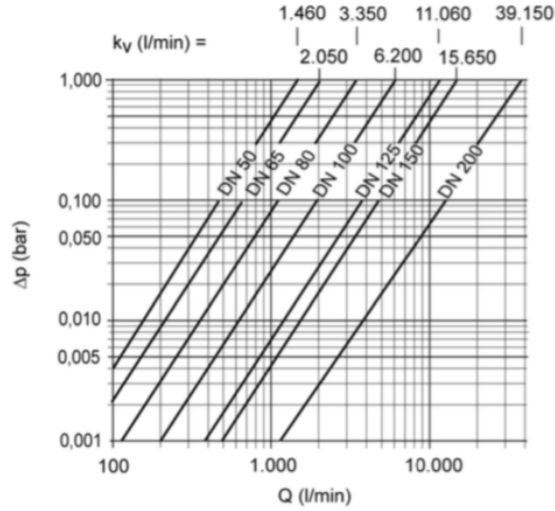


Pressure drop graph / Valve Opening:

Indicate value for H₂O at 20°C

Δp = Pressure Drop
Q = Flow-rate

VO = Valve opening
FR = KV-value



Article number:

type	pressure	seal	actuation	diameter
AK06 – PP	0 – PN10	0 – EPDM	00 – Notch lever	07 – DN40**
AK07 – PVC-U		1 – FPM*		08 – DN50
				09 – DN65
				10 – DN80
				11 – DN100
				12 – DN125
				13 – DN150
				14 – DN200

example: AK07000014:

AK07 | **0** | **0** | **00** | **14**

article number AK07000014
Butterfly valve made of PVC-U
pressure: PN10
seal: EPDM
actuation: Notch lever
diameter: DN200

* only available with Type AK07
** DN40 only deliverable as Type Ak07 with EPDM sealing

Image similar, subject change without notice