

PVC-ball valve type KK02



description:

PVC-ball valve with female thread and double union and secure ball made of PVC with lever in compact design. To shut off pipeline systems. Ideal for media like chlorine water, swimming pools.

features:

- Suitable for water treatment, swimming pools, pond building etc.
- Long life time
- Secure ball
- Double union

connection:

female thread 1/2", 3/4", 1", 1 1/4", 1 1/2", 2", 2 1/2", 3", 4" – depending on design

pressure:

0 – 10 bar – depending on design

design:

double union

connection:

female thread

body:

PVC-U

ball:

PVC-U

seal:

Hytre/EPDM

lever:

PVC-U

lever colour:

red

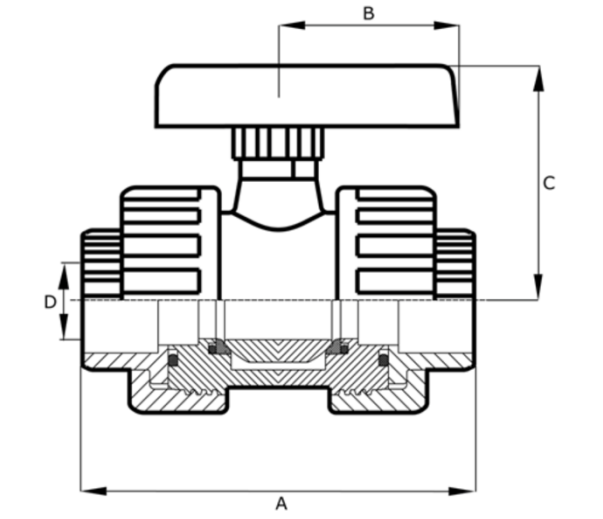
temperature:

-10 to 45 °C, short term up to 60 °C

dimensions:

connection	A mm	B mm	C mm	D mm	(d) inlet	Max. press.	weight
DN15 - 1/2" – d20	84	35	46	20	15	10 bar	0,125
DN20 - 3/4" – d25	112	54	71	25	20	10 bar	0,340
DN25 - 1" – d32	130	54	71	32	25	10 bar	0,345
DN32 - 1 1/4" – d40	149	65	93	40	32	10 bar	0,778
DN40 - 1 1/2" – d50	160	65	93	50	40	10 bar	0,813
DN50 - 2" – d63	195	74	107	63	50	10 bar	1,000
DN65 - 2 1/2" – d75	214	100	122	75	65	10 bar	2,200
DN80 - 3" – d90	250	123	148	90	80	10 bar	3,600
DN100 - 4" – d110	266	123	148	110	110	10 bar	3,500

Tolerances in the dimensions are possible



Article number:

construction		seal	thread
KK02	00	00 – Hytrel/EPDM	03 – 1/2" 04 – 3/4" 05 – 1" 06 – 1 1/4" 07 – 1 1/2" 08 – 2" 09 – 2 1/2" 10 – 3" 11 – 4"

example No. KK02000004:

KK02	00	00	04
------	----	----	----

Ball valve made of PVC
 connection: female thread
 Seal: Hytrel/EPDM
 thread: 3/4"

Image similar, subject change without notice.