

Ball valve with spring return made of stainless steel type GK12



Description:

Ball valve made of stainless steel with spring return. Normally the ball valve is in position closed. The actuating of the ball valve is against the spring. Closing the valve hand strength supported.

Features:

- suitable for **gaseous & liquid media**
- closing hand strength supported
- blow-out proof stem design

Connection:

1/4", 3/8", 1/2", 3/4", 1", 1 1/4", 1 1/2", 2" Inch

Construction:

with spring return

Pressure:

0 – 16 bar

Design:

Body:

Ball:

Ball seal:

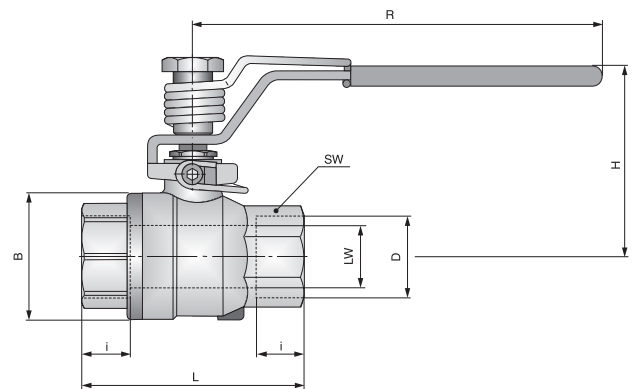
Stem packing:

Handle:

Leg spring:

Temperature:

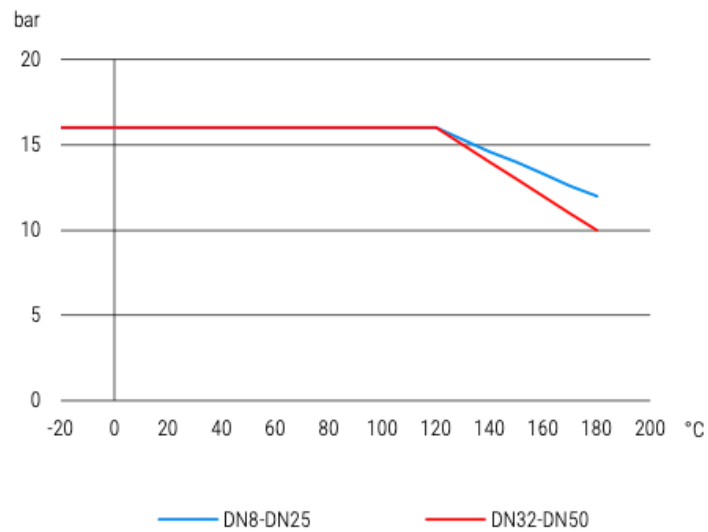
with spring return
 stainless steel 1.4408
 stainless steel 1.4408
 PTFE
 PTFE
 stainless steel
 stainless steel
 -20°C to +180°C



Dimensions:

DN	LW	PN	D	L	i	B	H	R	SW
8	10	16	Rp 1/4"	51,5	10,0	30,5	52	100	19
10	10	16	Rp 3/8"	60	13,5	30,8	52	100	22
15	15	16	Rp 1/2"	75	14,0	37,7	60	130	26
20	20	16	Rp 3/4"	80	15,0	43	64	130	32
25	25	16	Rp 1"	90	18,0	51	72	165	41
32	32	16	Rp 1 1/4"	110	20,0	64	78	165	49
40	38	16	Rp 1 1/2"	120	20,0	74,2	86	190	56
50	50	16	Rp 2"	140	24,5	90	95	190	70

Pressure-temperature-diagram:



Article number:

Type	Version	Seal	Size
GK12	00 – with spring return	00 – PTFE	01 – 1/4" 02 – 3/8" 03 – 1/2" 04 – 3/4" 05 – 1" 06 – 1 1/4" 07 – 1 1/2" 08 – 2"

Example no. GK12000005:

GK12	00	00	05
-------------	-----------	-----------	-----------

Thread ball valve made of stainless steel
 Version: with spring return
 Seal: PTFE
 Size: 1"

Image similar, subject change without notice.