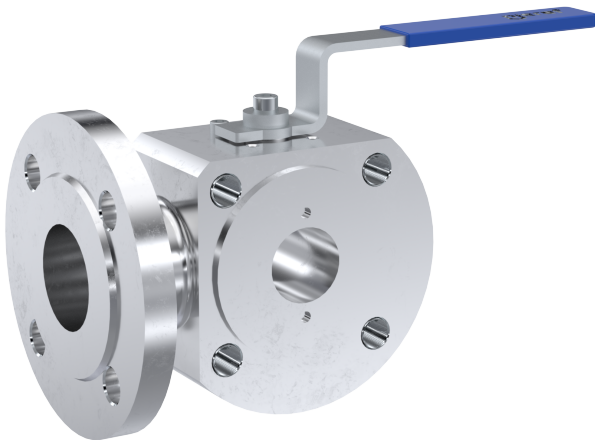


3/2 way switch ball valve type FK07



description:

3-way-switch-ball valve in compact design with reduced port. To shut off pipeline systems.

features:

- suitable for neutral and not neutral **gaseous & liquid media**
- flanges acc. To DIN EN 1092-1
- sealing on output side
- body steel zinc plated
- direction of flow see graphical symbol

connection:

DN15, DN20, DN25, DN32, DN40, DN50

construction:

reduced port design

pressure:

PN 16 – PN 40

design:

3/2-way switch-ball valve with reduced port design

body:

steel C22 1.0402

ball:

stainless steel 1.4404

ball seal:

PTFE GF

shifting shaft seal:

O-ring Viton

body seal:

O-ring Viton

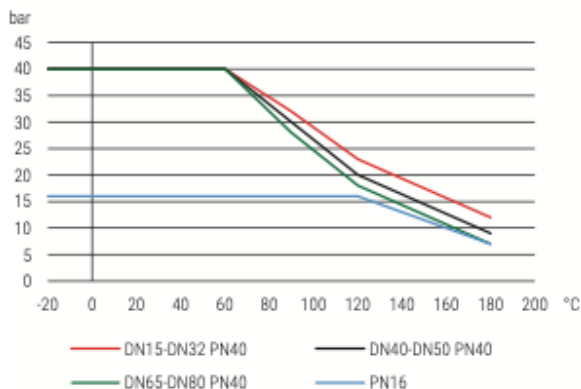
shifting shaft:

Stainless steel 1.4404

temperature:

-20°C to +180°C (depending on working pressure)

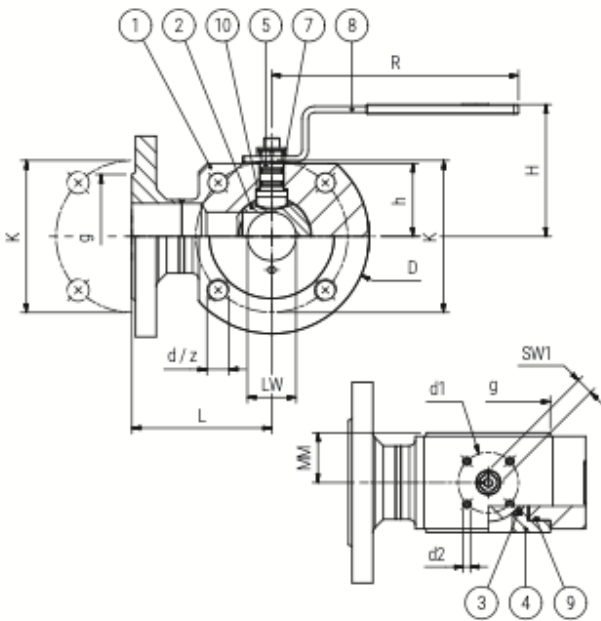
pressure-temperature diagram:



	Stellung 1 position 1	Stellung 2 position 2	Schaltzeichen symbols	Achtung ! Abgesperrte Rohrleitung darf keinen höheren Druck als die Förderleitung haben Warning ! pressure from closed side must be less than pressure from conveyor line
L - Bohrung L-bore				

dimensions:

DN	LW	PN	L	MM	R	H	h	D	K	g	z	d	SW1	M	d1	d2	weight
15	15	40	76	20	124,5	66,5	31,5	90	65	45	4	M12	9	F03	36	M5	2,20
20	15	40	82	20	124,5	71	36	99	75	58	4	M12	9	F03	36	M5	2,90
25	20	40	86	23	12,5	75	140	110	85	68	4	M12	9	F03	36	M5	3,80
32	25	40	100	29	172,5	89,5	49,2	130	100	78	4	M16	11	F05	50	M6	6,40
40	32	40	105	35,5	172,5	94,5	55	140	110	88	4	M16	11	F05	50	M6	8,50
50	40	40	115	41	203	108,5	60	160	125	102	4	M16	14	F05	50	M6	12,00



Nr. No.	Bezeichnung Description	Werkstoff Material	Materialbezeichnung Material description
1	Gehäuse Body	Stahl verzinkt Steel (zinc-plated)	1.0402
2	Kugel Ball	Edelstahl Stainless steel	1.4404
3	Kugeldichtung Ball seal	PTFE GF	-
4	Flansch / Nippel Flange / nipple	Stahl verzinkt Steel (zinc-plated)	1.0715
5	Schaltwelle Stem	Edelstahl Stainless steel	1.4404
7	Spindeldichtung Spindle seal	FKM	-
8	Griff Handle	Edelstahl Stainless steel	-
9	Gehäusedichtung Body seal	FKM	1.4301
10	Anlauftring Thrust washer	PTFE GF	-

article No.:

Type			size
FK07 – 3/2-way	00	00	03 – DN15 04 – DN20 05 – DN25 06 – DN32 07 – DN40 08 – DN50
example No. FK07000004:			
FK07	 00	 00	 04

3/2-way switch ball valve made of steel DN20 with stainless steel ball

Image similar, subject change without notice.