

3-way-ball valve in stainless steel electrical actuator type EK09



description:

3-way-ball valve with female thread BSP made of stainless steel with electrical actuator and reduced bore. Stainless steel ball and PTFE seal to shut off pipeline systems automatical.

features:

- Reduced bore / L- or T-bore
- Anti blow-out stem
- ETL electronic torque limiting
- AVS automatic voltage sensing
- ATC automatic temperature control
- emergency operating
- visual position indicator

connection:

1/4", 3/8", 1/2", 3/4", 1", 1 1/4", 1 1/2", 2", Zoll

construction:

reduced bore

pressure:

0 – 40 bar

design:

body with reduced T- or L-bore

body:

stainless steel 1.4408

ball:

stainless steel 1.4408

seal:

PTFE

temperature:

generally -25°C to +180°C (depending on working pressure)
(more than +50°C coupler + bracket must be used)

media

liquid and gaseous media

body actuator:

corrosion resistant synthetic body

plug connection:

external acc. to DIN 43650

temperature:

generally -20°C to +70°C

mounting pad:

acc. to ISO 5211

power supply:

Actuator S 24-240V AC/DC

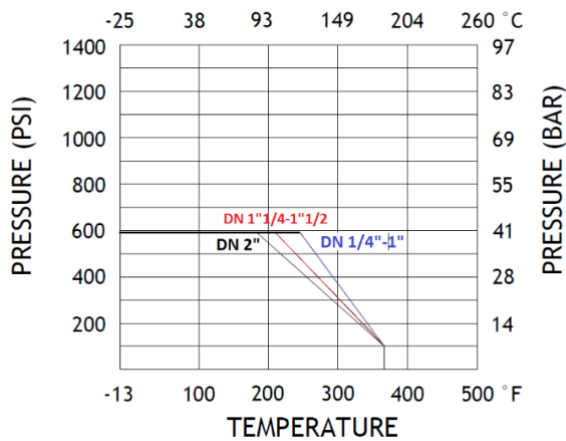
mounting position:

free, not upside down

Kvs (m³/h):

DN	1/4"	3/8"	1/2"	3/4"	1"	1 1/4"	1 1/2"	2"
Kvs (m³/h)	2,29	3,86	4,75	5,11	11,8	19,6	33,2	53,7

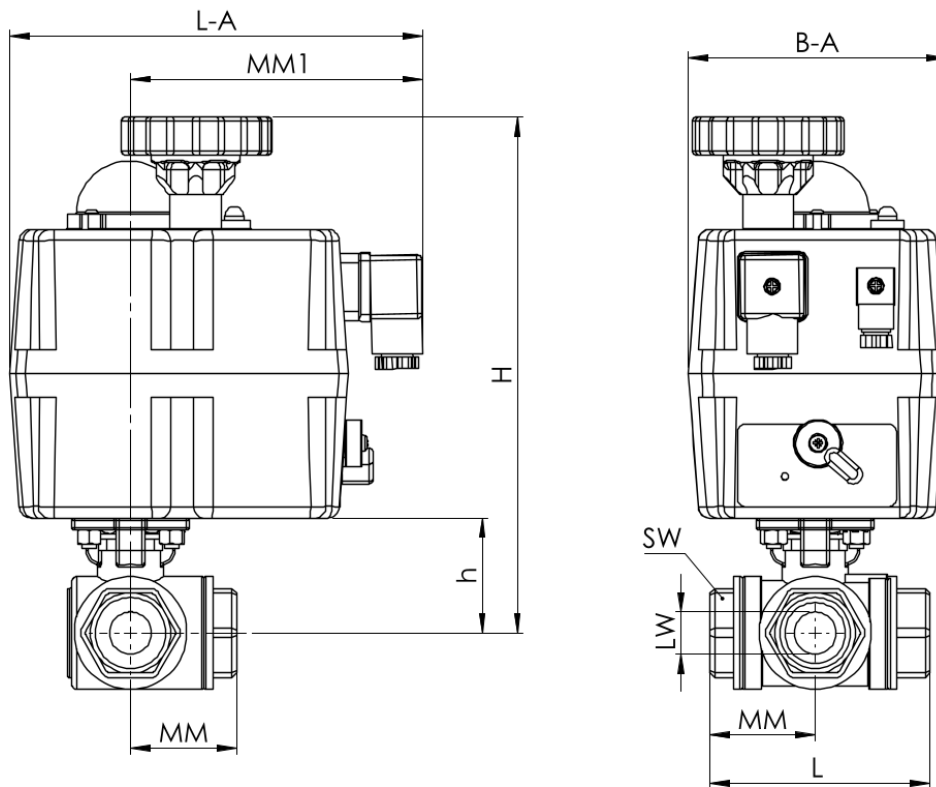
Pressure-temperature-graph:



weight and actuator:

DN	weight kg	actuator
1/4"	2,60	S20
3/8"	2,60	S20
1/2"	2,60	S20
3/4"	2,90	S20
1"	3,30	S35
1 1/4"	4,90	S35
1 1/2"	6,10	S55
2"	9,30	S85

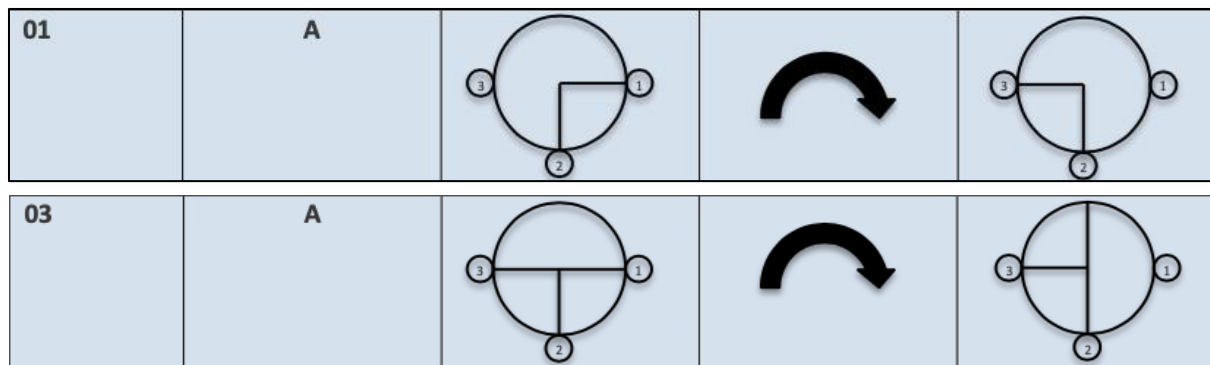
dimensions:



DN	PN	DIN EN 10226-1	LW	SW	MM	L	h	H	MM1	B-A	L-A	Actuator
8	40	Rp1/4"	9,5	24	37,5	75	36,8	207,8	125	110	176	S20
10	40	Rp3/8"	11	24	37,5	75	36,8	207,8	125	110	176	S20
15	40	Rp1/2"	12	24	37,5	75	36,8	207,8	125	110	176	S20
20	40	Rp3/4"	15	32	42,5	85	41,2	212,2	125	110	176	S20
25	40	Rp1"	20	36	50	100	46,5	217,5	125	110	176	S35
32	40	Rp1 1/4"	25	50	61	122	56	227	125	110	176	S35
40	40	Rp1 1/2"	32	55	65,5	131	60	256	125	110	176	S55
50	40	Rp2"	40	70	79	158	70,5	266,5	125	110	176	S85

position:

Actuators will be mounted in status „open“ and will turn „right“. Position of the ball bore is position 1A, when L-bore and 3A, when T-Bore:



For other positions or rotations please contact us.

article number:

type	design	voltage	size
EK09	00 – T-bore 01 – L-bore	00 – electrical 24-240V	01 – 1/4" 02 – 3/8" 03 – 1/2" 04 – 3/4" 05 – 1" 06 – 1 1/4" 07 – 1 1/2" 08 – 2"

Example no. EK09000005:

EK09 | 00 | 00 | 05

3-way ball valve made of stainless steel with electrical actuator

design: T-bore
voltage: electrical 24-240V
Size: 1"inch

Image similar, subject change without notice.