

## Strainer Thread TYPE SZ01



### description:

Strainers are used to clean a liquid media by a removable filter

### features:

- for common fluids of 2nd group
- removable stainless steel filter
- with draining cap
- removable stainless steel filter

### connection:

1/4" inch - 2" inch

### construction:

Y-strainer

### pressure:

0 – 16 bar

### design:

### connection:

### body:

### body gasket:

### filter:

### bonnet:

### cap gasket:

### cap:

### temperature:

### pressure:

### standards:

Y-strainer with draining cap

female thread BSP

stainless steel 1.4408

PTFE

stainless steel 1.4301

stainless steel 1.4408

PTFE

stainless steel 1.4408

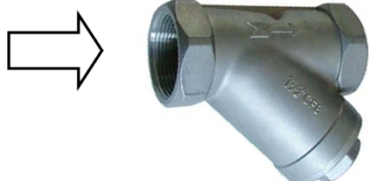
-20°C - +200°C

PN16

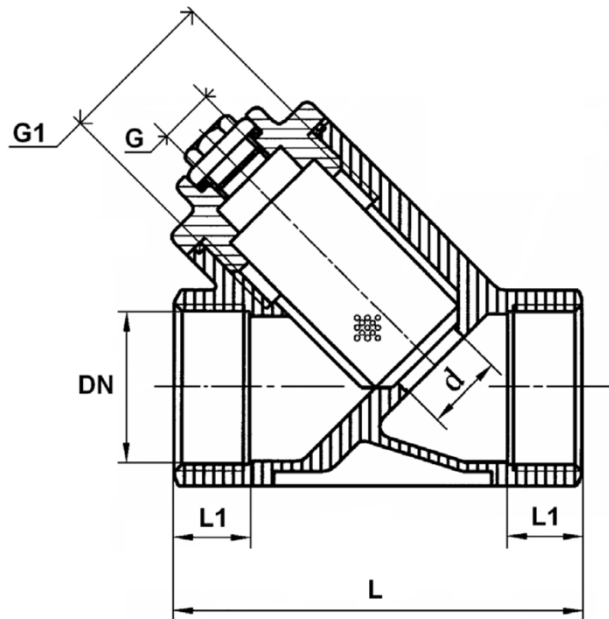
- fabrication according to ISO 9001:2008
- threaded BSP cylindrical female ends acc. to ISO 228/1
- DIRECTIVE 97/23/CE: CE No 0035, Risk Category III Module H

### particularities:

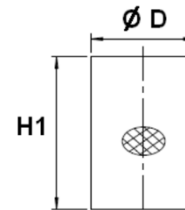
- pay attention to the flow direction indicated by the arrow
- horizontal or vertical position with descendant fluid
- mesh 1,0 mm (1000 μ)



dimensions:

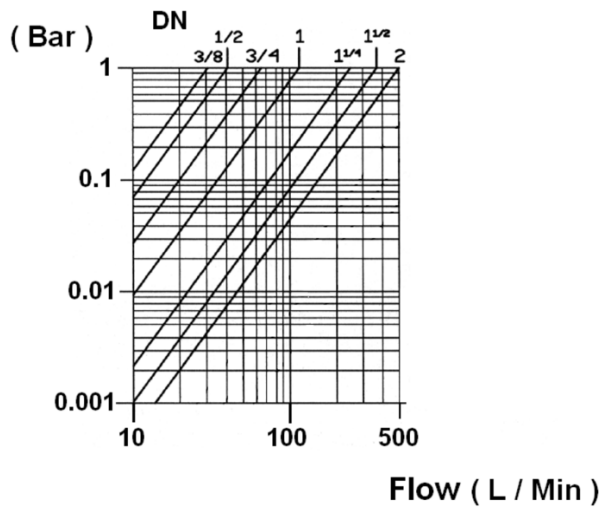


Filter size :



DN	L	L1	Ø d	G	G1	H1	Ø D	Weight
Inch	mm	mm	mm	Inch	mm	mm	mm	kg
G 1/4"	64	12	10,5	1/4"	23,8 x 1,5	28,5	19	0,23
G 3/8"	64	12	12,5	1/4"	23,8 x 1,5	28,5	19	0,21
G 1/2"	64	13	15	1/4"	23,8 x 1,5	28,5	19	0,21
G 3/4"	80	14,5	20	1/4"	29,5 x 1,5	40	23	0,35
G 1"	89	16,5	25	3/8"	39,8 x 1,5	49	32	0,61
G 1 1/4"	106,5	19	32	1/2"	41,8 x 1,5	54	36	0,89
G 1 1/2"	118	23	38	1/2"	49,8 x 1,5	63,5	44	1,11
G 2"	139	23	50	3/4"	59,8 x 1,5	76	54	1,63

pressure loss:



article number:

Type	Material	Pressure	Size
<b>SZ01</b>	<b>00 – stainless steel</b>	<b>00 – PN16</b>	01 – 1/4" 02 – 3/8" 03 – 1/2" <b>04 – 3/4"</b> 05 – 1" 06 – 1 1/4" 07 – 1 1/2" 08 – 2"

Example no. SZ01000004:

**SZ01** | **00** | **00** | **04**

Strainer made of stainless steel

Pressure: PN16

Size: 3/4"

Image similar, subject change without notice.