

fine strainer TYPE SZ05



description:

Strainers are used to clean a liquid media by a removable filter

features:

- for common fluids
- removable stainless steel filter
- with drain plug
- removable stainless steel filter

connection:
1/4" inch - 2" inch

construction:
Y-strainer

pressure:
0 – 40 bar

design: Y-strainer with draining cap
connection: female thread BSP
body: stainless steel 1.4408 (CF8M)
seal: PTFE (Teflon)
filter: stainless steel 1.4401 (AISI316)
bonnet: stainless steel CF8M
O-ring: Viton
drain plug: stainless steel SS316
temperature: -25°C up to +200°C
pressure: PN40
standards:

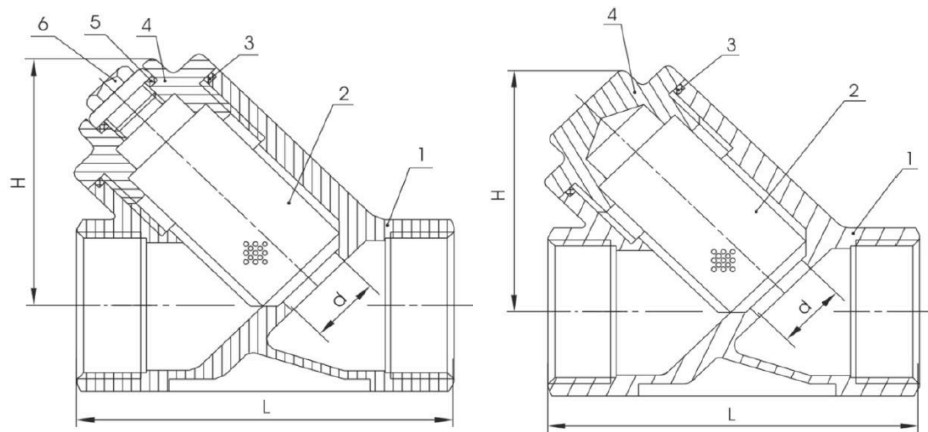
- threaded BSP cylindrical female ends acc. to ISO 7/1, BS21, ANSI B2.1

particularities:

- horizontal or vertical position with descendant fluid
- mesh 0,25mm



dimensions:



mit Entleerungsschraube / with drain plug

Pos.	part	material
1	body	CF8M
2	mesh	SS316
3	seal	PTFE
4	cap	CF8M
5	O-Ring	Viton
6	drain plug	SS316

diameter		d	L	H	B	mesh	KV-value	Thread of the drain plug	weight
DN	Zoll	mm	mm	mm	mm	mm	m3/h		kg
8	G 1/4"	9,5	64	43	30	0,25	1,44	G 1/4"	0,21
10	G 3/8"	11,5	64	43	30	0,25	2,88	G 1/4"	0,21
15	G 1/2"	15	64	45	30	0,25	3,3	G 1/4"	0,22
20	G 3/4"	20	79	52	35,5	0,25	6,6	G 1/4"	0,57
25	G 1"	25	90	68	46	0,25	9,7	G 3/8"	0,61
32	G 1 1/4"	30	106	70	53,5	0,25	14,9	G 1/2"	0,89
40	G 1 1/2"	38	119	80	61,5	0,25	26,6	G 1/2"	1,15
50	G 2"	47	140	98	76	0,25	35,4	G 1/2"	1,75

article number:

Type	Material	Pressure	Size
SZ05	00 – stainless steel	00 – PN40	01 – 1/4" 02 – 3/8" 03 – 1/2" 04 – 3/4" 05 – 1" 06 – 1 1/4" 07 – 1 1/2" 08 – 2"

Example no. SZ05000004:

SZ05 | 00 | 00 | 04

Fine strainer made of stainless steel
 Pressure: PN40
 Size: 3/4"

Image similar, subject change without notice.