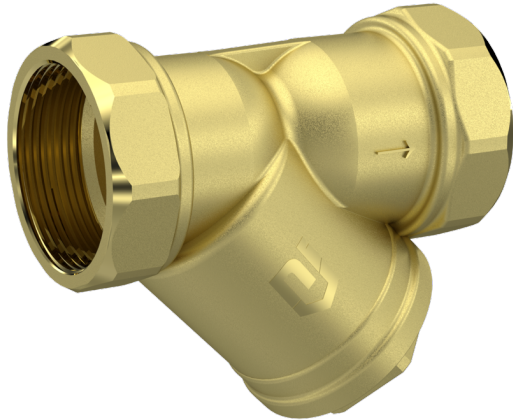


Y Strainer Female TYPE SZ02



Description:

Strainers type SZ02 are used for water distribution and watering. This type is suitable for drinking water due to the ACS drinking water certificate.

Product features:

- Suitable for water and drinking water
- ACS drinking water approval
- Water filtration
- For water distribution and watering
- Removable stainless steel filter

Connection:
3/8" inch - 2" inch

Construction:
Y-type

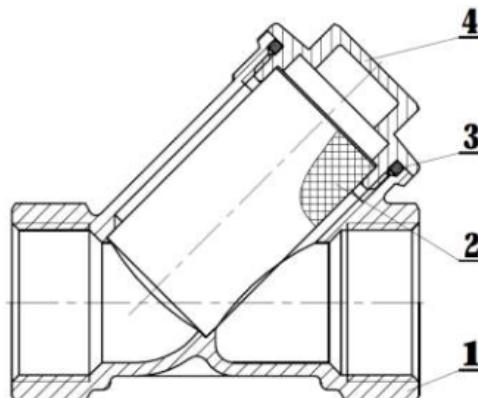
Temperature:
-10°C to +120°C

Pressure:
0 – 16 bar

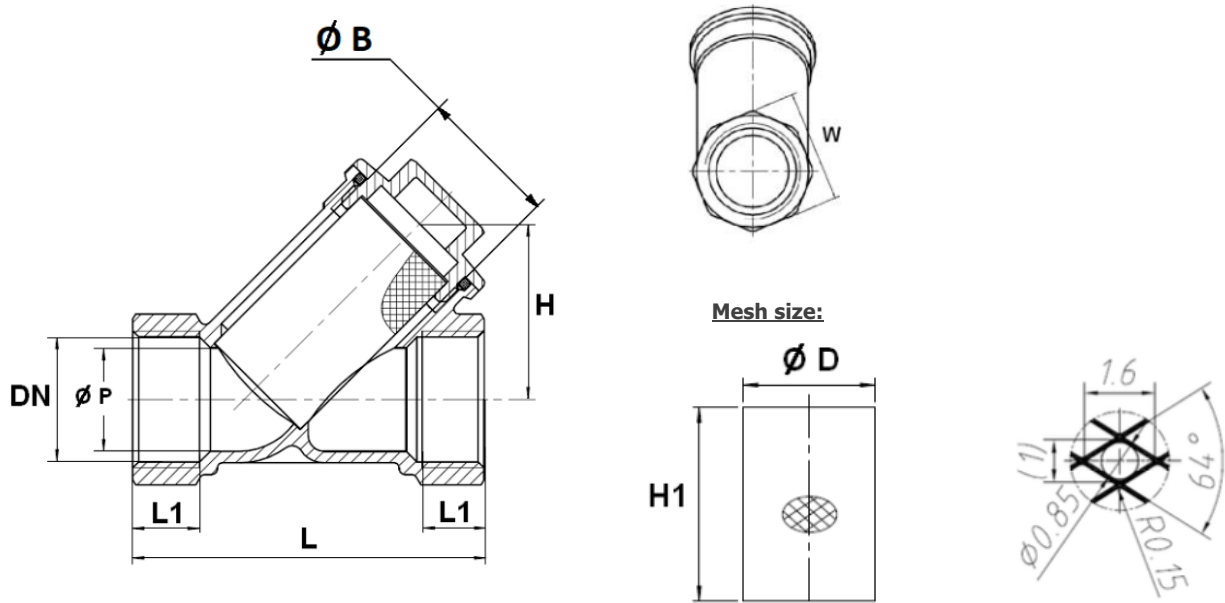
Design:	Y-strainer
Connection:	Female thread BSP ISO 228-1
Body (1):	Brass CW617N-4MS acc. to EN12165
Filter (2):	Stainless steel 1.4301 / AISI 304
Gasket (3):	EPDM
Cap (4):	Brass CW617N-4MS acc. to EN12165
Temperature:	-10°C to +120°C
Pressure:	PN16
Mesh:	0,85 mm (850 μ)

CE / conformity: Directive 2014/68/EU: product excluded (article 1 § 2.b)

Material (see above):

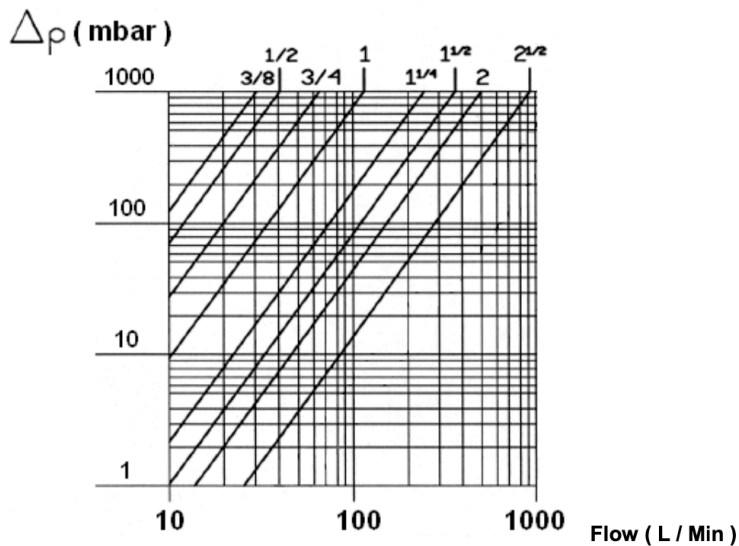


Dimensions:



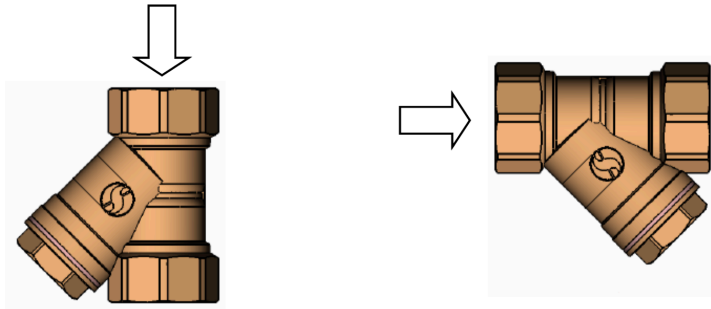
DN	Ø P	L	L1	Ø B	H	W	Ø D	H1	Kvs	Weight
Inches	mm	mm	mm	mm	mm	mm	mm	mm	m ³ /h	kg
G 3/8"	12	48	9	M18x1,5	22	20	14,5	22	1,31	0,07
G 1/2"	15,6	58	11	M22,5x1,5	23,5	25	18,5	25	4,07	0,14
G 3/4"	20	68	13	M28,5x1,5	33,3	31	23,5	40	8,11	0,22
G 1"	26	75	14	M33x1,5	38	38	27,5	40,5	11,15	0,34
G 1 1/4"	32	90	16,5	M38,5x1,5	42	47	33,5	46	17,24	0,48
G 1 1/2"	42	108	18	M47,5x1,5	49,5	54	42,5	54	26,14	0,77
G 2"	50	130	20	M58x1,5	61	67	52,5	63	26,38	1,22

Pressure-loss-diagram:



Installation position:

- Horizontal position or vertical position with descendant flow
- Consider the flow direction indicated by the arrow



Article number:

Type	Material	Pressure	Size
SZ02	00 – brass	00 – PN16	01 – 1/4"
			02 – 3/8"
			03 – 1/2"
			04 – 3/4"
			05 – 1"
			06 – 1 1/4"
			07 – 1 1/2"
			08 – 2"

Example No. SZ02000004:

SZ02	00	00	04
-------------	-----------	-----------	-----------

Y-strainer made of brass
 Pressure: PN16
 Size: 3/4"

Image similar, subject change without notice.