

# Strainer Thread TYPE SZ01



**Description:**

Stainless steel strainer are used for the filtration of fluids like water or compressed air.

**Product features:**

- Suitable for neutral fluids (for example water) and compressed air
- Filtration of media
- With draining cap
- Removable stainless steel filter

**Connection:**  
1/4" inch - 2" inch

**Construction:**  
Y-strainer

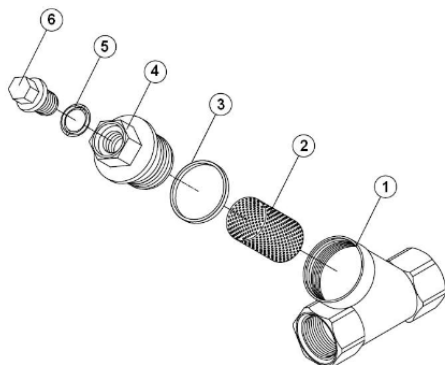
**Temperature:**  
-50°C to +200°C  
consider pressure-temperature-diagram

**Pressure:**  
0 – 16 bar

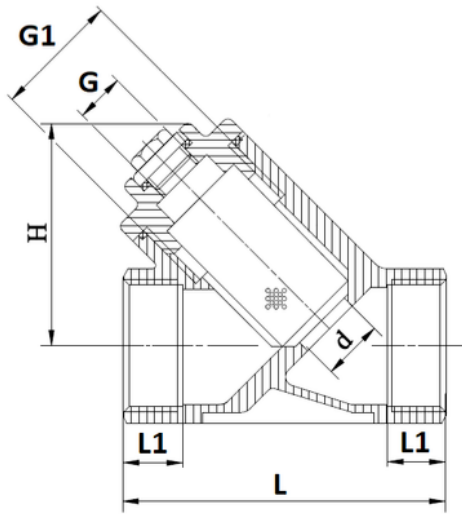
<b>Design:</b>	Y-strainer with draining cap
<b>Connection:</b>	Female thread BSP ISO 228-1
<b>Body (1):</b>	Stainless steel 1.4408 / A 351 CF8M
<b>Filter (2):</b>	Stainless steel 1.4401 / AISI 316
<b>Body gasket (3):</b>	PTFE
<b>Bonnet (4):</b>	Stainless steel 1.4408 / A 351 CF8M
<b>Cap gasket (5):</b>	PTFE
<b>Cap (6):</b>	Stainless steel 1.4408 / A 351 CF8M
<b>Temperature:</b>	-50°C to +200°C
<b>Pressure:</b>	PN16
<b>Mesh:</b>	1mm (1000 µ)

<b>CE / conformity:</b>	1/4" – 1": no CE marking
	1 1/4" – 2": CE0036 marking acc to. Directive 2014/68/EU

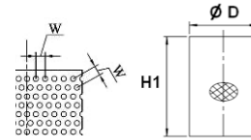
**Explosion drawing:**



**Dimensions:**

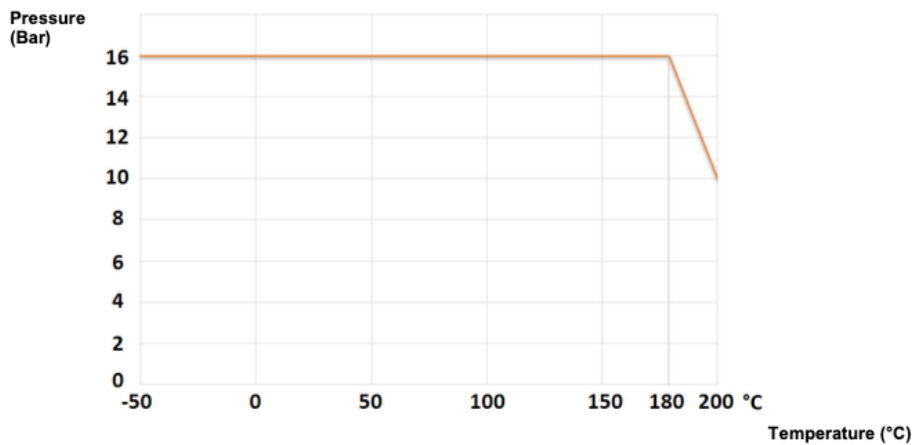


**Filter size:**



DN	L	L1	Ø d	G	G1	H	W	Ø D	H1	Kvs	Weight
inch	mm	mm	mm	inch	mm	mm	mm	mm	mm	m <sup>3</sup> /h	kg
G 1/4"	64	15	9,5	1/4"	M24 x 1,5	43	2	19	29	3,5	0,22
G 3/8"	64	15	12	1/4"	M24 x 1,5	43	2	19	29	4,5	0,22
G 1/2"	64	15	15	1/4"	M24 x 1,5	45	2	19	29	5,7	0,23
G 3/4"	80	16	20	1/4"	M30 x 1,5	52	2	23,5	40,5	7,9	0,35
G 1"	89	18	25	3/8"	M40 x 1,5	68	2	33	49	16	0,62
G 1 1/4"	106,5	22	32	1/2"	M42 x 1,5	70	2	36	54	23	0,84
G 1 1/2"	118	22	38	1/2"	M50 x 1,5	80	2	44	64	36	1,08
G 2"	139	25	49	1/2"	M60 x 1,5	98	2	54	76	50	1,65

**Pressure-temperature-diagram (steam excluded):**



**Installation position:**

- Horizontal position or vertical position with descendant fluid
- Consider the flow direction indicated by the arrow



**Options:**

- Strainer in accordance with the regulation (EC) N. 1935/2004 on request

**Article number:**

Type	Material	Pressure	Size
<b>SZ01</b>	<b>00 – stainless steel</b>	<b>00 – PN16</b>	01 – 1/4" 02 – 3/8" 03 – 1/2" <b>04 – 3/4"</b> 05 – 1" 06 – 1 1/4" 07 – 1 1/2" 08 – 2"

**Example no. SZ01000004:**

<b>SZ01</b>	<b>00</b>	<b>00</b>	<b>04</b>
-------------	-----------	-----------	-----------

Y-strainer made of stainless steel

Pressure: PN16

Size: 3/4"

Image similar, subject change without notice.