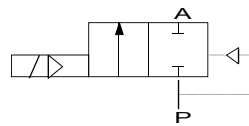
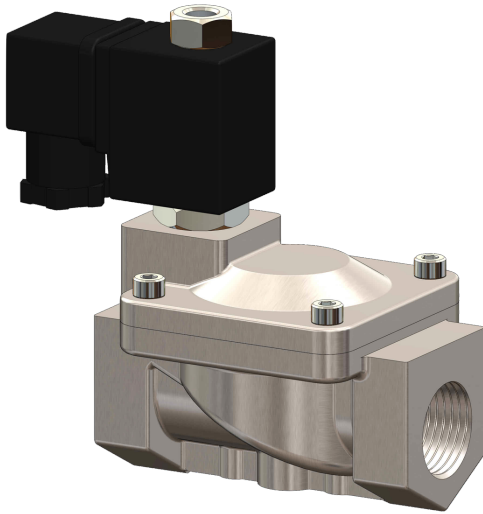


2/2-way solenoid valve stainless steel type EV05



description:

2/2-way solenoid valve made of stainless steel, with membrane for high flow rates. Ideal for machine and plant engineering. This valve switches at 0,5 bar (servo-controlled solenoid valve)

features:

- Suitable for neutral and non-neutral **liquid and non-flammable, gaseous media**
- Mounting position: any, preferably solenoid upwards

connection:

3/8", 1/2", 3/4", 1", 1 1/4", 1 1/2", 2" inch

control:

servo-controlled

function:

NC – normally closed

pressure:

0,5 – 16 bar – depending on design

design:

seat valve with membrane

diameter:

DN13, DN20, DN25, DN32, DN40, DN50

body material:

stainless steel 1.4408

seal:

EPDM, NBR, FKM

voltage:

230V 50Hz 24V DC

voltage tolerance:

+/- 10% acc. VDE 0580

power consumption:

230V 50Hz: 22 VA
24V DC 18 Watt

duty:

100 % ED

plug socket:

IP65 is plug socket mounted acc. DIN EN 175301-803 Form A

plug:

cable diameter 6-8 mm, thread PG 9, design A

viscosity:

≤20cSt

temperature:

ambient: max. + 50°C
media: FKM – 10°C up to +120°C
 NBR – 10°C up to +80°C
 EPDM – 10°C up to +130°C

DN

13,0 mm
13,0 mm
20,0 mm
25,0 mm
32,0 mm
40,0 mm
50,0 mm

max. pressure

0,5 – 16 bar
0,5 – 16 bar
0,5 – 16 bar
0,5 – 16 bar
0,5 – 16 bar
0,5 – 16 bar
0,5 – 16 bar

connection

G 3/8" inch
G 1/2" inch
G 3/4" inch
G 1" inch
G 1 1/4" inch
G 1 1/2" inch
G 2" inch

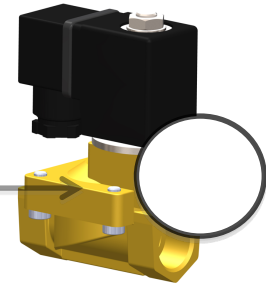
flow rate

3,8 m³/h
3,8 m³/h
6,5 m³/h
10,3 m³/h
18,9 m³/h
25,8 m³/h
41,2 m³/h

options:

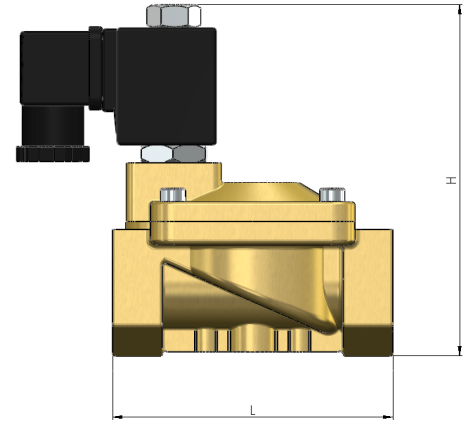
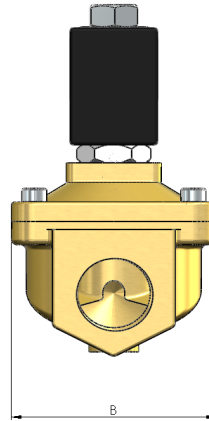
without oil and fat
 Plug socket with LED
 Bracket
 manuell actuation

Ex II 2G Ex mII T4
 II 3D IP65 T130°C



dimensions:

connection	DN	L	B	H
3/8" inch	13	66	48	107
1/2" inch	13	66	48	107
3/4" inch	20	75	58	112
1" inch	25	96	70	131
1 1/4" inch	32	131	96	146
1 1/2" inch	40	131	96	146
2" inch	50	165	120	167



Test meeting the requirement of PED acc. to DIN EN 12266-1:

The tightness corresponds to the specified leakage rates*:

type	soft seat**
EV05	A

* acc. to EN 12266-1

** Soft Seat: EPDM, FKM, NBR

article number:

Type	Voltage	Seal	Function	Version	Size
EV05	1 – 230V 50Hz 2 – 24V DC	1 – EPDM 2 – FKM 4 – NBR	0 – NC normally closed	0 – standard	02 – 3/8" 03 – 1/2" 04 – 3/4" 05 – 1" 06 – 1 1/4" 07 – 1 1/2" 08 – 2"

Example No. EV05120004:

EV05 | 1 | 2 | 0 | 0 | 04

2/2 way solenoid valve stainless steel
 Voltage: 230V 50Hz
 Seal: FKM
 Function: NC normally closed
 Version: standard
 Size: 3/4"

Image similar, subject change without notice.