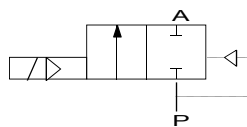
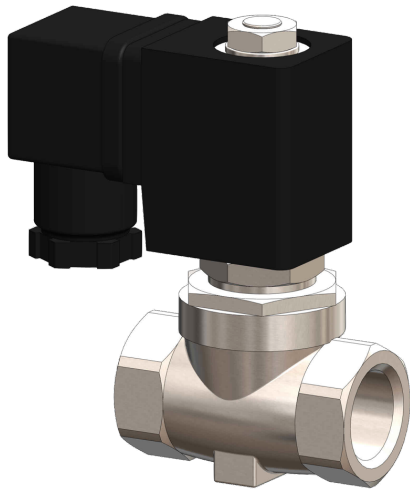


2/2-way solenoid valve stainless steel type EV04



description:

2/2-way solenoid valve made of stainless steel, very compact design for high flow rates. Ideal for machine and plant engineering. This valve switches at 0,1 bar (servo controlled solenoid valve)

features:

- Suitable for neutral and non-neutral **liquid and non-flammable, gaseous media**
- Mounting position: any, preferably solenoid above

connection:

1/4", 3/8", 1/2" inch

control:

servo controlled

function:

NC – normally closed

pressure:

0,1 – 16 bar – depending on design

design:

seat valve with membrane

diameter:

DN 8

body material:

stainless steel 1.4408

seal:

EPDM, NBR, FKM

voltage:

230V 50Hz 24V DC

voltage tolerance:

+/- 10% acc. to VDE 0580

power consumption:

230V 50Hz: 22 VA
24V DC 13 Watt

duty:

100 % ED

plug socket:

IP65 is plug socket mounted acc. DIN EN 175301-803 Form A

plug:

cable diameter 6-8 mm, thread PG 9, design A

temperature:

ambient: max. + 50°C
media: FKM – 10°C up to +120°C
 NBR – 10°C up to +80°C
 EPDM – 10°C up to +130°C

DN

8,0 mm
8,0 mm
8,0 mm

max. pressure

0,1 – 16 bar (10 bar*)
0,1 – 16 bar (10 bar*)
0,1 – 16 bar (10 bar*)

Connection

G 1/4" inch
G 3/8" inch
G 1/2" inch

flow rate

1,03 m³/h
1,03 m³/h
1,03 m³/h

* direct current reduces the working pressure

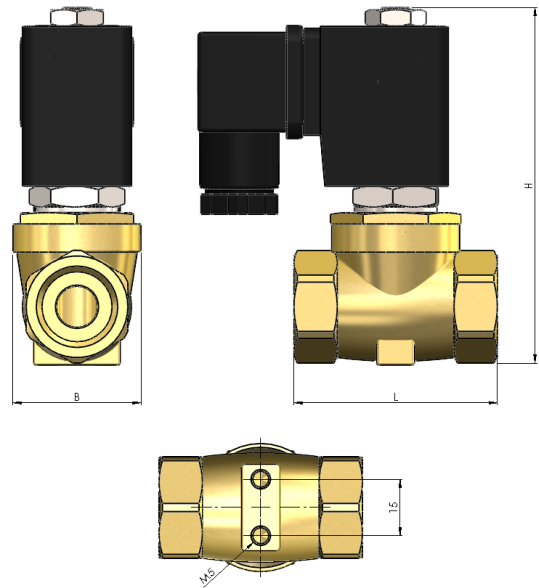
options:

without oil and fat
plug socket mounted with LED
Ex II 2G Ex mII T4
 II 3D IP65 T130°C



dimensions:

Connection	L (mm)	B (mm)	H (mm)
1/4" inch	54	33,5	95
3/8" inch	54	33,5	95
1/2" inch	54	33,5	95



Test meeting the requirement of PED acc. to DIN EN 12266-1:

The tightness corresponds to the specified leakage rates*:

type	soft seat**
EV04	A

* acc. to EN 12266-1

** Soft Seat: EPDM, FKM, NBR

article number:

Type	Voltage	Seal	Function	Version	Size
EV04	1 – 230V 50Hz 2 – 24V DC	1 – EPDM 2 – FKM 4 – NBR	0 – NC normally closed	0 – standard	01 – 1/4" 02 – 3/8" 03 – 1/2"

Example No. EV04120002:

EV04	1	2	0	0	02
-------------	----------	----------	----------	----------	-----------

2/2 way solenoid valve stainless steel
 Voltage: 230V 50Hz
 Seal: FKM
 Function: NC normally closed
 Version: standard
 Size: 3/8"

Image similar, subject change without notice.