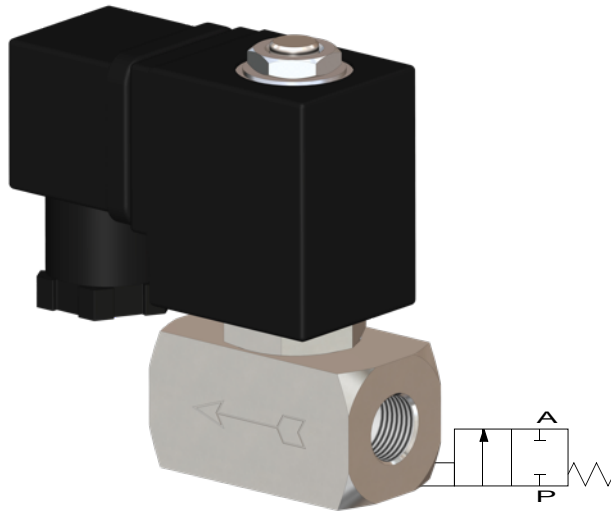


## 2/2-way solenoid valve stainless steel type EV03



**description:**

2/2-way solenoid valve made of stainless steel, very compact design for high flow rates. Ideal for machine and plant engineering. This valve switches at 0 bar (directly acting solenoid valve)

**features:**

- Suitable for neutral and non-neutral **liquid and non-flammable, gaseous media**
- Mounting position: any, preferably solenoid above

**connection:**

1/4" inch

**control:**

direct acting

**function:**

NC – normally closed

**pressure:**

0 – 48 bar – depending on design

**design:**

seat valve

**diameter:**

DN 2,0 / DN 2,5 / DN 3,0 / DN 4,0 / DN 6,0

**body material:**

stainless steel 1.4301

**seal:**

FKM, EPDM

**voltage:**

230V 50Hz            24V DC

**voltage tolerance:**

+/- 10% acc. VDE 0580

**power consumption:**

230V 50Hz:            15 VA  
24V DC                 18 Watt

**duty:**

100 % ED

**plug socket:**

IP65 is plug socket mounted acc. DIN EN 175301-803 Form A

**plug:**

cable diameter 8 mm, thread PG 9, design A

**temperature:**

ambient:                Max. + 50°C  
media:                    FKM -10°C up to 120°C  
                                 EPDM -10°C up to 120°C

**DN**

2,0 mm  
2,5 mm  
3,0 mm  
4,0 mm  
6,0 mm

**max. pressure**

0 – 48 bar (38 bar\*)  
0 – 30 bar (24 bar\*)  
0 – 20 bar (16 bar\*)  
0 – 10 bar (8 bar\*)  
0 – 6 bar (4,8 bar\*)

**Connection**

G 1/4" inch  
G 1/4" inch  
G 1/4" inch  
G 1/4" inch  
G 1/4" inch

**flow rate**

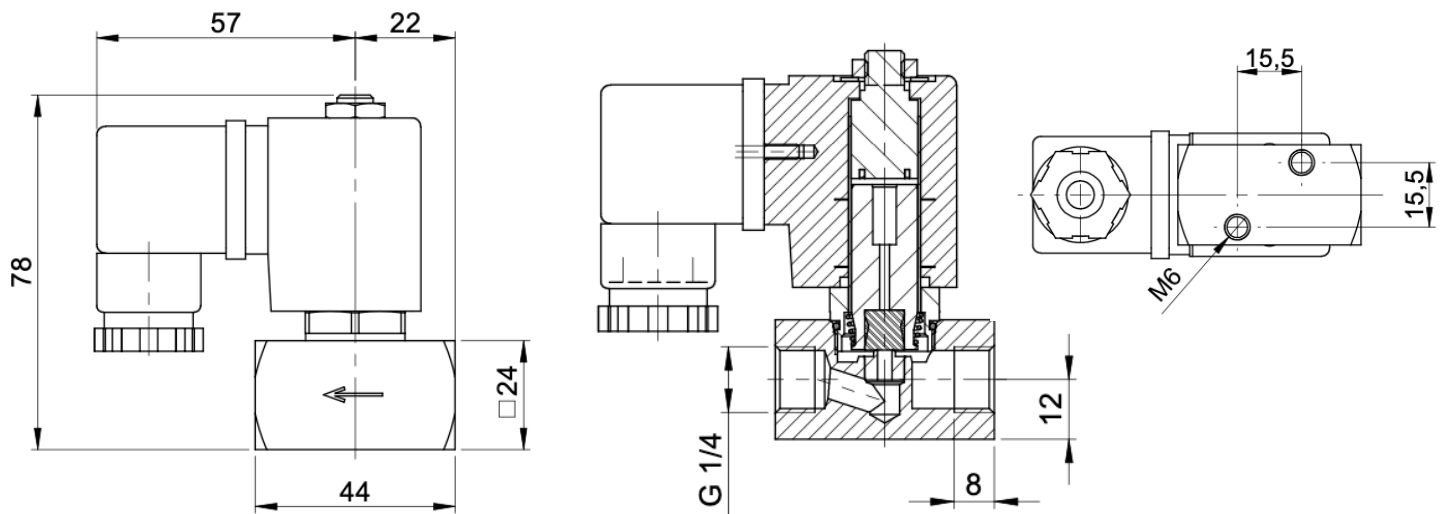
2,3 l/min  
3,0 l/min  
3,7 l/min  
6,5 l/min  
9,5 l/min

\* direct current reduces the working pressure

**options:**

without oil and fat  
plug socket mounted with LED

dimensions:



Test meeting the requirement of PED acc. to DIN EN 12266-1:

The tightness corresponds to the specified leakage rates\*:

type	soft seat**
EV03	A

\* acc. to EN 12266-1

\*\* Soft Seat: EPDM, FKM

article number:

Type	Voltage	Seal	Function	Version	Size
EV03	1 – 230V 50Hz 2 – 24V DC	1 – EPDM 2 – FKM	0 – NC normally closed	0 – standard	20 – DN 2,0 25 – DN 2,5 30 – DN 3,0 40 – DN 4,0 60 – DN 6,0

Example No. EV03120030:

EV03 | 1 | 2 | 0 | 0 | 30

2/2 way solenoid valve stainless steel  
 Voltage: 230V 50Hz  
 Seal: FKM  
 Function: NC normally closed  
 Version: standard  
 Size: DN 3,0

Image similar, subject change without notice.