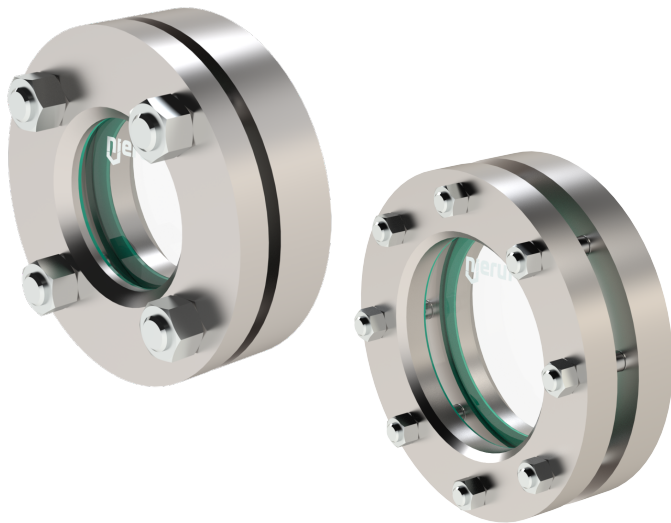


# Sight glass fitting DIN 28120 TYPE BS02



**description:**

Sight flow indicators are used for observation and to illuminate optical control of fluids and gases. E.g. tanks, silos, boilers...

**features:**

- suitable for neutral and non-neutral **liquids and gaseous media.**
- with borosilicate glass DIN 7080
- Delivery includes: Base- & cover flange, glass & sealing

**Connection:**

DN25, DN50, DN80, DN100, DN125, DN150, DN200

**Design:**

DIN 28120

**Pressure:**

max. 16 bar

**Design:**

to be welded directly to tank

**Material base-flange:**

stainless steel 1.4571

**Material cover-flange:**

stainless steel 1.4571

**Seal:**

C4400

**Glass:**

borosilicate glass DIN 7080

**Screws:**

A4-70

**Temperature:**

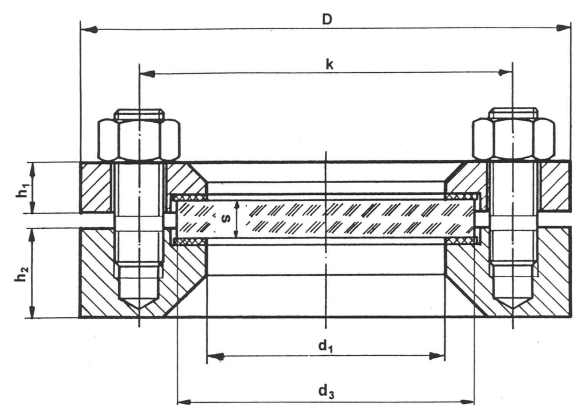
-10°C to +175°C (higher temperatures on request)

**Delivery includes:**

Base- & cover flange, glass & sealing

**Dimensions:**

DN	PN	d1	d3	s	D	k	h	h2	weight
25	10/16	48	63	10	115	85	16	25	2,8 kg
50	10/16	80	100	15	165	125	16	30	6,0 kg
80	10/16	100	125	15/20	200	160	20	30	9,7 kg
100	10/16	125	150	20/25	220	180	22	30	11,3 kg
125	10/16	150	175	20/25	250	210	25	30	14,6 kg
150	10/16	175	200	25/30	285	240	30	36	22,4 kg
200	10	225	250	30	340	295	35	36	30,7 kg



**Torque table for screws (for gasket Klingersil):**

Tighten all screws in several small steps and crosswise. The specified torques are starting values. The torque required for sealing under operation conditions may be higher so that the sight glass gland must be retightened. If sufficient tightness is not achieved with the listed torques they should be increased in steps of approx. 5%. All screws must have exactly the same tightening torque to avoid glass distortion and breakage!

DN	25	50	80	100	125	150	200
minimal torque in Nm	18	51	40	50	61	91	95

**Options (on request):**

- sizes DN250 and DN300
- soda lime glass DIN 8902 up to 150°C
- higher temperatures
- gaskets made of PTFE, FKM, NBR, Silicone, EPDM, Graphite
- special materials
- wiper with PTFE or silicone wiper blade
- LED lights (for Ex- and Non-Ex-areas)
- Spray device SVI
- Mica protection (highly recommended for aggressive media or steam!)
- FEP protective screen (for higher pH-values)
- O-Ring gasket (suitable for vacuum – depending on environmental variables)
- PLEXIGLAS® impact protection
- VA perforated plate impact protection
- Double glazing

**Article number:**

Type	Glass	Version	Size
<b>BS02</b>	<b>00 – borosilicate glass</b>	<b>00 – Standard</b>	05 – DN25 08 – DN50 <b>10 – DN80</b> 11 – DN100 12 – DN125 13 – DN150 14 – DN200

**Example no. BS02000010:**

<b>BS02</b>	<b>00</b>	<b>00</b>	<b>10</b>
-------------	-----------	-----------	-----------

Article no. BS02000010

Sight glass fitting

Glass: borosilicate glass

Size: DN80

Image similar, subject change without notice.