

# Sight flow indicator TYPE GS01 / GS02 / GS03



**Description:**

Sight flow indicators with thread connection are used for optical control of fluids and gases, for horizontal and vertical pipelines.

**Product features:**

- suitable for neutral and non-neutral **liquids and gaseous media.**
- with flap
- with PTFE-spinner (only liquid media)
- **installation position:**  
with flap: horizontal or vertical with direction of flow from the bottom up  
standard or with spinner: any position

**Connection:**

1/4", 3/8", 1/2", 3/4", 1", 1 1/4", 1 1/2", 2"

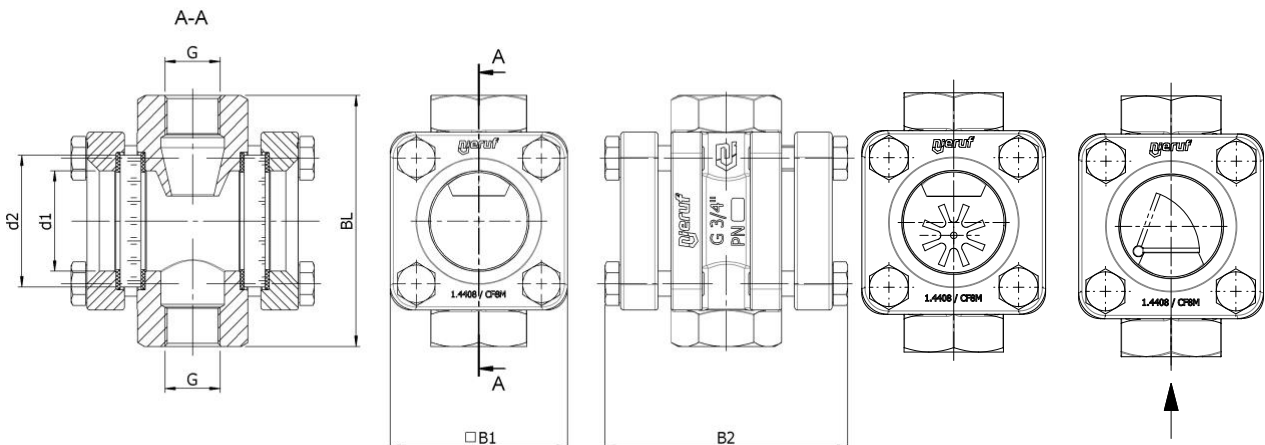
**Working pressure:**

max. 16 bar – depending on design

**Materials:**

| Component   | Type GS01   | Type GS02            | Type GS03                              |
|-------------|---|----------------------|--|
| Body        | Grey cast iron GG25 (EN-GJL-250)  | Carbon steel GS-C 25 | Stainless steel 1.4408                 |
| Cover       | Grey cast iron GG25 (EN-GJL-250)  | Carbon steel -C 25   | Stainless steel 1.4408                 |
| Seal        | graphite  | graphite             | graphite                               |
| Screw       | 4.6 / 5.6 vz  | 4.6 / 5.6 vz         | A4                                     |
| Temperature | Min. -10°C  | Min. -10°C           | Min. -60°C (down to -200°C on request) |
| Glass       | Soda lime glass DIN 8902 / to +150°C<br>borosilicate glass DIN 7080 / to +280°C |                      |  |

**Dimensions:**



| Diameter G | 1/4" | 3/8" | 1/2" | 3/4" | 1"  | 1 1/4" | 1 1/2" | 2"  |
|------------|------|------|------|------|-----|--------|--------|-----|
| PN         | 40   | 40   | 40   | 16   | 16  | 16     | 16     | 16  |
| BL         | 100  | 100  | 100  | 120  | 120 | 160    | 160    | 230 |
| d1         | 32   | 32   | 32   | 48   | 48  | 65     | 65     | 80  |
| d2         | 45   | 45   | 45   | 63   | 63  | 80     | 80     | 100 |
| S          | 10   | 10   | 10   | 10   | 10  | 12     | 12     | 15  |
| B1         | 70   | 70   | 70   | 85   | 85  | 110    | 110    | 120 |
| B2         | 108  | 108  | 108  | 116  | 116 | 147    | 147    | 174 |

**Article number:**

|       |                                  |                      |                        |
|-------|----------------------------------|----------------------|------------------------|
|       | <b>Type GS01</b>                 | <b>Type GS02</b>     | <b>Type GS03</b>       |
| Body  | Grey cast iron GG25 (EN-GJL-250) | Carbon steel GS-C 25 | Stainless steel 1.4408 |
| Cover | Grey cast iron GG25 (EN-GJL-250) | Carbon steel -C 25   | Stainless steel 1.4408 |
| Seal  | graphite                         | graphite             | graphite               |

| Type | Glass                   | Design                 | Size        |
|------|-------------------------|------------------------|-------------|
| GS01 | 01 – Soda lime glass    | 00 – standard          | 01 – 1/4"   |
| GS02 | 02 – borosilicate glass | 01 – with flap         | 02 – 3/8"   |
| GS03 |                         | 02 – with PTFE-spinner | 03 – 1/2"   |
|      |                         |                        | 04 – 3/4"   |
|      |                         |                        | 05 – 1"     |
|      |                         |                        | 06 – 1 1/4" |
|      |                         |                        | 07 – 1 1/2" |
|      |                         |                        | 08 – 2"     |

**Example GS02010005:**

**GS02** | **01** | **00** | **05**

Sight flow indicator made of carbon steel  
 Design: standard  
 Glass: Soda-lime-glass  
 Size: 1" Inch

Image similar, subject change without notice.