

Flange-Sight flow indicator DIN 3237 TYPE FS01 / FS02 / FS03



Description:

Sight flow indicators with flange connection acc. DIN 1092-2/B1, are used for optical control of fluids and gases, for horizontal and vertical pipelines.

Product features:

- suitable for neutral and non-neutral **liquids and gaseous media.**
- with flap
- with PTFE-spinner (only liquid media)
- **installation position:**
with flap: horizontal or vertical with direction of flow from the bottom up
standard or PTFE-spinner: any position

Connection:

DN15, DN20, DN25, DN32, DN40, DN50, DN65, DN80, DN100, DN125, DN150, DN200

Design:
DIN 3237

Working pressure:
max. 16 bar – depending on design

Materials:

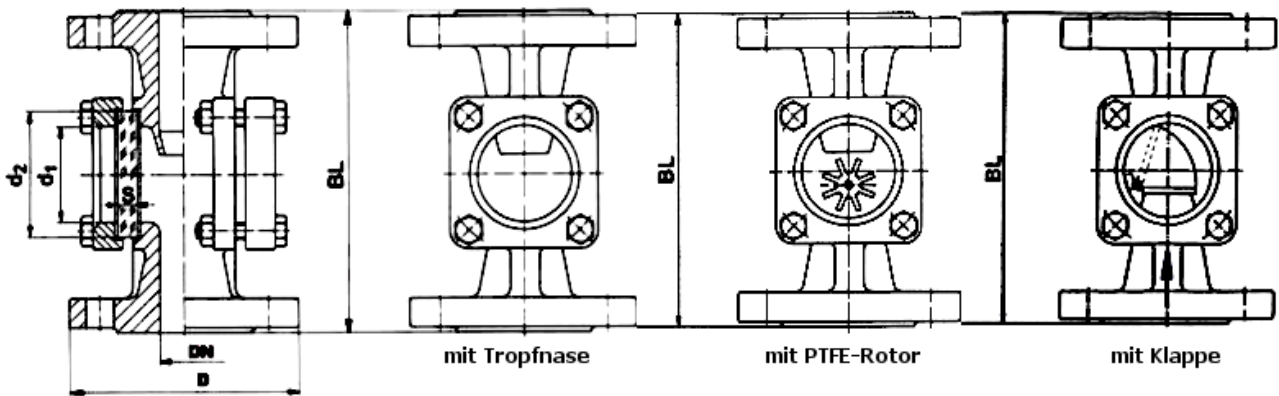
Component	Type FS01	Type FS02	Type FS03
Body	Grey cast iron GG25 (EN-GJL-250)	Carbon steel GS-C 25	Stainless steel 1.4408
Cover	Grey cast iron GG25 (EN-GJL-250)	Carbon steel -C 25	Stainless steel 1.4408
Seal	graphite	graphite	graphite
Screw	4.6 / 5.6 vz	4.6 / 5.6 vz	A4
temperature	min. -10°C	min. -10°C	min. -60°C (down to -200°C on request)
Glass	Soda lime glass DIN 8902 / to +150°C borosilicate glass DIN 7080 / to +280°C		

Pressure – Temperature – Application limits:

operating temperature up to °C	120	150	200	250	280
PN 16	16	15	14	13	11

Dimensions:

Diameter DN	15	20	25	32	40	50	65	80	100	125	150	200
Flange	15	20	25	32	40	50	65	80	100	125	150	200
Flange acc. PN	16	16	16	16	16	16	16	16	16	16	16	16
D	95	105	115	140	150	165	185	200	220	250	285	340
BL	130	150	160	180	200	230	290	310	350	400	480	600
d1	32	32	48	48	65	80	80	100	125	150	175	175
d2	45	45	63	63	80	100	100	125	150	175	200	200
S PN16	10	10	10	10	12	15	15	20	25	25	30	30
Pressure in bar	16	16	16	16	16	16	16	16	16	16	10	10



Torque in (Nm):

Glass d2 in mm	d1 in mm	4x M8	4x M10	4x M12	4x M14	4x M16	8x M16
45	32	10	12	--	--	--	--
63	48	12	20	23	--	--	--
80	65	--	23	30	--	40	--
100	80	--	--	42	--	70	35
125	100	--	--	--	65	--	50
150	125	--	--	--	--	100	60
175	150	--	--	--	--	--	80
200	175	--	--	--	--	--	90

Article number:

Component

Body
Cover
Seal
Screw

Type FS01

Grey cast iron GG25 (EN-GJL-250)
Grey cast iron GG25 (EN-GJL-250)
graphite
4.6 / 5.6 vz

Type FS02

Carbon steel GS-C 25
Carbon steel -C 25
graphite
4.6 / 5.6 vz

Type FS03

Stainless steel 1.4408
Stainless steel 1.4408
graphite
A4

Type	Glass	Design	Size
FS01	01 – Soda lime glass	00 – standard	03 – DN15
FS02	02 – borosilicate glass	01 – with flap	04 – DN20
FS03		02 – with PTFE- spinner	05 – DN25
			06 – DN32
			07 – DN40
			08 – DN50
			09 – DN65
			10 – DN80
			11 – DN100
			12 – DN125
			13 – DN150
			14 – DN200

Example FS02010005:

FS02 | **01** | **00** | **05**

Sight flow indicator made of carbon steel

Design: standard

Glass: Soda-lime-glass

Size: DN25

Image similar, subject change without notice.