

Pressure reducing valve type DM14



description:

Pressure reducing valves made of gunmetal are used to regulate the supply pressure in a system, to compensate for different inlet pressures to a certain pressure in the outlet side.

product features:

- suitable for **liquid & gaseous not adhesive media**
- industrial design – full metal
- with piston, seal & supporting ring
- pressure adjustment via not rising spindle
- **integrated manometer connection G 1/4" inch axial**
- installation possible in any position

connection:

1/4", 3/8", 1/2", 3/4", 1", 1 1/2", 2" inch

temperature:

-40C° up to +120°C

pressure:

inlet pressure: to 60,0 bar
outlet pressure: 0,5 bar – 50,0 bar

design:

piston-pressure reducing valve

body material:

Gunmetal CC499K

seal:

FKM : -10C° up to +120°C

EPDM : -40C° up to +120°C

internals:

Brass CW617N

spring:

spring steel 1.1200

assembly position:

any position

inlet pressure:

up to 60,0 bar

outlet pressure:

Type 0 5-30 bar

Type 1 10-50 bar

Type 2 0,5-15 bar (membrane-design with secondary venting*)

Attention: Type 2 only suitable for neutral gases

(e.g. compressed air)!

connection:

female thread acc. DIN EN ISO 228 BSP-P

Manometer connection:

frontside axial G 1/4" inch

option:

Wall holder for mounting

* What is secondary ventilation and what is it used for?

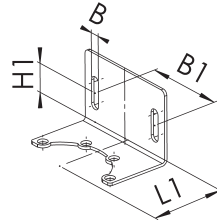
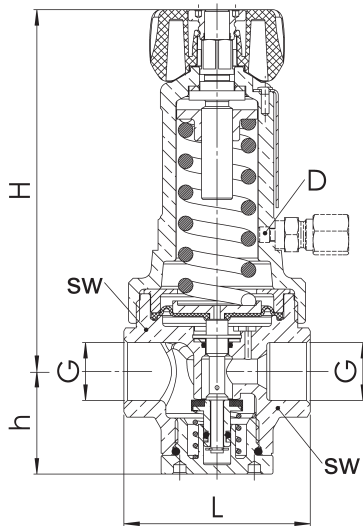
The secondary venting is an additional hole, usually in the spring cover of the pressure reducer.

In the case of pressure reducers with secondary venting, the outlet pressure can also be reduced with zero consumption, i.e. with the consumer closed.

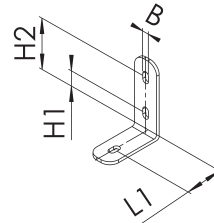
When the pressure is reduced, the medium escapes through the said hole to the outside. It is therefore advisable to use pressure reducers with secondary ventilation only with neutral gases such as compressed air.

dimensions:

diameter	DN	8	10	15	20	25	40	50
connection		1/4"	3/8"	1/2"	3/4"	1"	1 1/2"	2"
inlet pressure	bar	60	60	60	60	60	60	60
outlet pressure Type 0	bar	5-30	5-30	5-30	5-30	5-30	5-30	5-30
outlet pressure Type 1	bar	10-50	10-50	10-50	10-50	10-50	10-50	10-50
outlet pressure Type 2	bar	0,5-15	0,5-15	0,5-15	0,5-15	0,5-15	0,5-15	0,5-15
body-dimensions in mm	L	68	68	60	78	102	136	136
	H	120	120	120	180	215	260	270
	h	33	33	33	40	56	63	70
	SW	26	26	26	32	44	58	70
holder (option)	L1	38	38	38	51	61	85	85
	H1/H2	18/62	18/62	18/62	18/58	22/80	15	15
	B/B1	5,5	5,5	5,5	6,5	8,5	10,5/90	10,5/90
KVS-value (DIN EN 60534-2-3)	m3/h	1,6	1,6	1,6	3,4	5,5	12,7	12,7
weight	kg	1,2	1,2	1,2	2,8	5,3	9,4	10,2



DN40-DN50



DN8-DN25

article number:

type	range of pressure	seal	diameter
DM14	00 – 5-30 bar	00 – FKM	01 – 1/4"
	01 – 10-50 bar	01 – EPDM	02 – 3/8"
	02 – 0,5-15 bar*		03 – 1/2"
			04 – 3/4"
			05 – 1"
			07 – 1 1/2"
			08 – 2"

example – DM14010004:

DM14 | **01** | **00** | **04**

pressure reducing valve made of gunmetal
internals are made of brass
range of pressure: 10 – 50 bar
connection: female threaded connection
seal: FKM
diameter: 3/4"

***Attention: Type 2 only suitable for neutral gases (e.g. compressed air)!**

Image similar, subject change without notice.