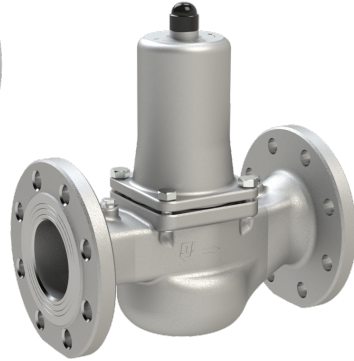


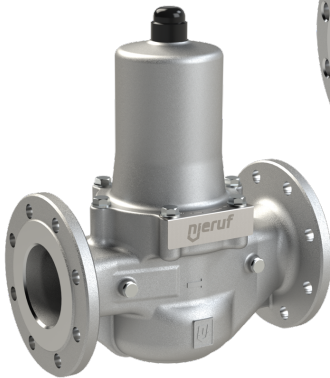
Flange pressure reducing valve stainless steel type DM07 / DM08

DN15 – DN50



DN65 + DN80

DN100



Description:

Flange-pressure-reducing valves are used in pipeline systems in order to equalize different pressures at the incoming side of the pressure reducing valve, and not to exceed a specific pressure at the outgoing side of the valve.

Product features:

- suitable for neutral and not neutral and not adhesive **liquid & gaseous media**
- Built-in dirt trap
- Manometer connection G 1/4" inch
- Installation possible in any position
- EPDM sealing with **drinking water approval (DVGW-W, ACS, WRAS)** – for version SP with outlet pressure 1-8 bar
- **FDA** approval on EPDM seals

Diameter:

DN15 - DN100

Temperature:

-20°C to +120°C / no steam
- depending on version

Pressure:

Inlet pressure: to 40,0 bar
Outlet pressure: 0,5 bar – 15,0 bar
- depending on version

Material:

Parts

Parts	Material	DIN EN	ASME
Body	Stainless steel	1.4408	CF8M
Internals	Stainless steel	1.4408	CF8M
Spring	Spring steel	1.1200	ASTM A228
Strainer	Stainless steel	1.4404	316 L

Seal / temperature:

EPDM (FDA)	Ethylene-propylene-diene	outlet pressure up to 8bar: -20°C to +120°C / outlet pressure >8bar: -20°C to +95°C
FKM	Fluorocarbon	outlet pressure up to 8bar: -10°C to +120°C / outlet pressure >8bar: -10°C to +95°C

Approvals

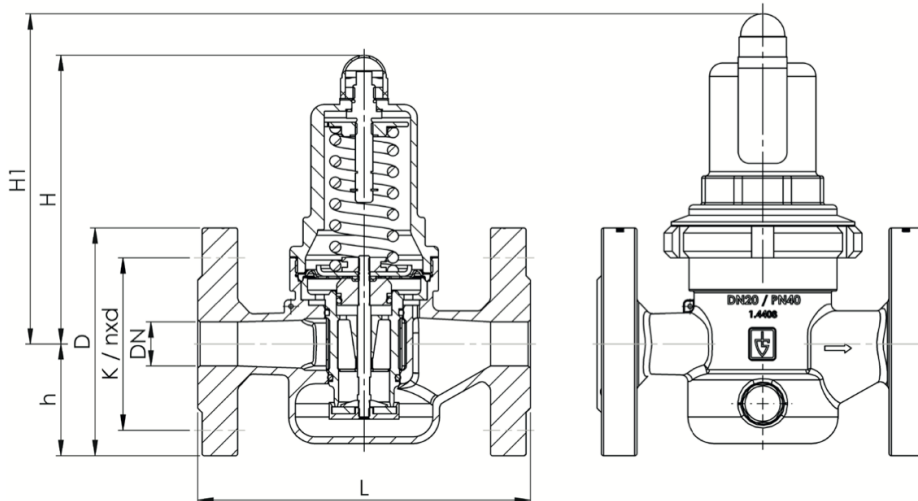
- | | | |
|---|------------------------|-------------------------------------|
| - European pressure equipment directive | - ACS | On request: |
| - DGR 2014/68/EU | - DVGW-W (up to +80°C) | - Lloyd ´s Register EMEA (LR EMEA) |
| | - WRAS (up to +85°C) | - American Bureau of Shipping (ABS) |
| | - FDA | - Bureau Veritas (BV) |
| | | - DNV (DNV) |
| | | - Registro Italiano Navale (RINA) |

Manometer connection:

Up to DN50 1 connection axial G 1/4" inch for outlet pressure
From DN65 2 connections radial G 1/4" inch for in- and outlet pressure
DN100 2 connections axial G 1/4" inch for in- and outlet pressure

Dimensions:

Diameter DN	15	20	25	32	40	50	65	80	100
Inlet Flange	15	20	25	32	40	50	65	80	100
Outlet Flange	15	20	25	32	40	50	65	80	100
Flange PN	40	40	40	40	40	40	40	40	16
L	130	150	160	180	200	230	290	310	350
D	95	105	115	140	150	165	185	200	220
H	102	130	130	130	165	165	235	235	320
H1	128	150	150	150	185	185	235	235	320
h	46	50	55	68	73	80	89	96	112
KVs-value m3/h	3	5,8	6,7	7,6	12,5	15	40	50	80
weight kg	2,9	4,3	4,7	5,9	9,1	10,9	19	20,5	37,0
Inlet pressure LP	25 bar	25 bar	25 bar	25 bar	25 bar	25 bar			
Inlet pres. HP, SP	40 bar	40 bar	40 bar	40 bar	40 bar	40 bar	40 bar	40 bar	16 bar
Outlet pressure in bar									
LP -Version									
SP - Version	0,5 - 2,0	0,5 - 2,0	0,5 - 2,0	0,5 - 2,0	0,5 - 2,0	0,5 - 2,0			
HP - Version	1,0 - 8,0 5,0 - 15,0	1,0 - 8,0 5,0 - 15,0	1,0 - 8,0 5,0 - 15,0	1,0 - 8,0 5,0 - 15,0	1,0 - 8,0 5,0 - 15,0	1,0 - 8,0 5,0 - 15,0	1,0 - 8,0	1,0 - 8,0	1,0 - 8,0 5,0 - 13,0
Pressure gauge connection Inlet pressure							1/4" radial	1/4" radial	1/4" axial
Pressure gauge connection Outlet pressure	1/4" axial	1/4" axial	1/4" axial	1/4" axial	1/4" axial	1/4" axial	1/4" radial	1/4" radial	1/4" axial



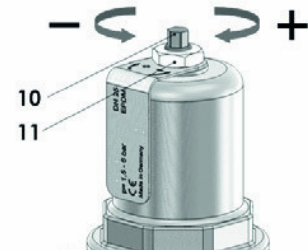
Dirt trap:

Mesh size:	DN15 - DN32:	0,60 mm
	DN40 - DN100:	0,75 mm

Installation and Assembly:

The pressure reducer is set at the factory to a secondary pressure of 3 bar (in standard version) and is to be installed in the pipe without applying stress. After the reducer we recommend to consider a slow downsection of 5 x D. The flow direction must coincide with the arrow on the housing. The valve can be installed in any mounting position. The pipe must be thoroughly flushed prior to installation of the pressure reducer to prevent impurities picked up by the medium having an impact on the satisfactory operation. The pressure gauges are screwed into the sockets using hempor gasket strip and indicate the prevailing secondary pressure or the prevailing primary and secondary pressure (DN 65 and DN 80). The desired secondary pressure is set by turning the adjusting spindle at idle pressure (zero consumption).

Turning the adjusting spindle in clockwise direction increases the secondary pressure and turning the spindle in counter-clockwise direction reduces the secondary pressure. During this adjustment always observe that, based on pressure and friction losses, the end pressure adjusted at zero consumption is reduced further when drawing water, in dependence of the quantity drawn off. The set desired value can be checked at the pressure gauge arranged on the secondary pressure side.



Before commissioning the pressure reducer, it should be ensured that both pressure gauge connections on the housing are sealed with pressure gauges or sealing plugs

Maintenance:

The device should be checked at intervals which correspond to the respective operating conditions in order to eliminate any faulty operation which may be caused by impurities, scaling and natural wear. After long periods of non-use the function of the valve must be tested. The operating or installation company must carry out an annual inspection according to DIN 1988-8

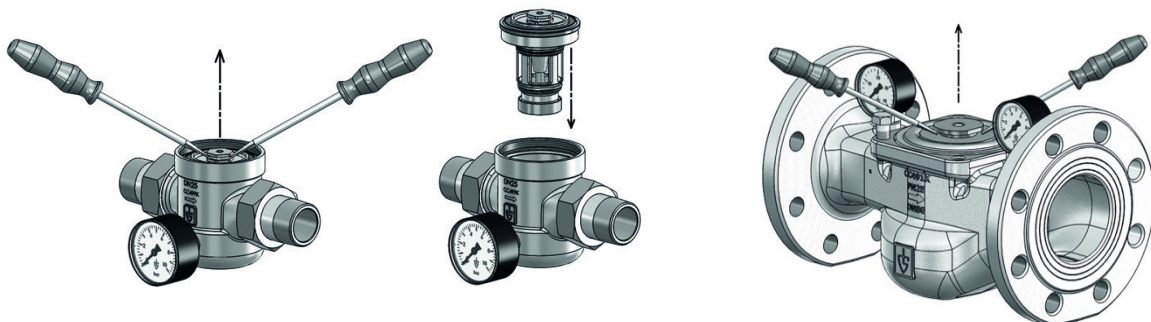
Replacing the Valve insert:

Design **SP-Version** (Pressure 1 to 8 bar) / **HP Version** (Pressure 5 to 15 bar)

1. Remove plastic protective cap; loosen counter-nut
2. Tension spring by turning the setting spindle counter-clockwise
3. Unscrew spring housing or remove screws
4. Remove spring housing, spring plate, setting spindle, copper ring and spring.
5. By means of 2 screwdrivers lever-out the complete valve insert (fig. a) and replace with a new one. In the case of DN65 and DN80 re-fit two screws on opposite sides of the body, as these are required as supports for the screwdrivers (fig. b)
6. Installation is carried-out in reverse order. In the case of DN65 /DN80 tighten the screws to a maximum equal torque of 18 Nm, this must not to be exceeded!

Abb. A): Removal and installation of control unit

B): Removal of control unit DN65-DN80



Design **LP-Version** (Pressure 0,5 to 2 bar)

1. Remove plastic cap, release lock nut (do not unscrew!)
2. De-tension the spring by turning the setting spindle clockwise.
3. Release and unscrew bonnet with open end spanner
4. Remove spring and slide ring
5. Release and unscrew hexagon nuts with open end spanner and screwdriver (fig. c)
6. Remove spring seat
7. Loosen membranes on the outer figmeter along entire length with a screwdriver and unscrew (fig. d)
8. Loosen and unscrew low-pressure adapter with hook spanner (optional accessory) (fig. e)
9. Remove O-ring seal
10. Screw the hexagon nuts back onto the threaded bolts. Position two screwdrivers (used as lever) on the housing and in the groove of the hexagon nut, and pull out the valve insert (Fig. f)
11. To assemble, repeat the sequence in reverse order (see Fig. g).

Illustration C

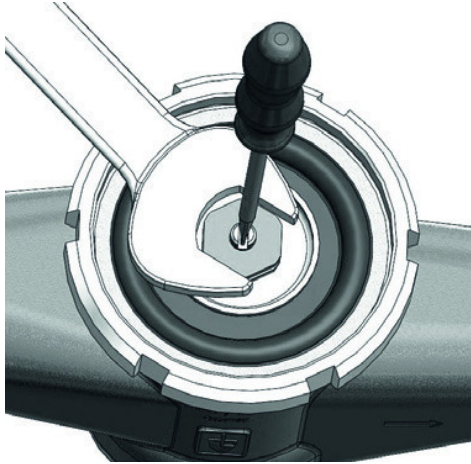


Illustration D

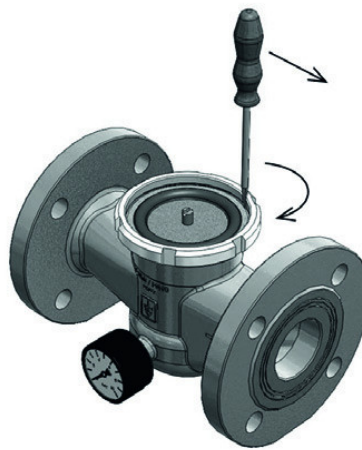


Illustration E

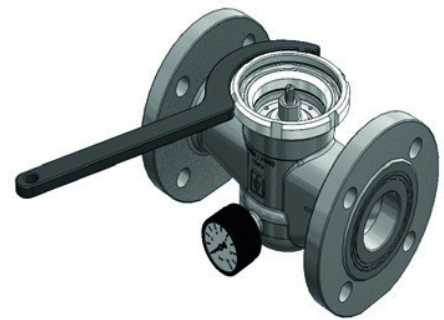


Illustration F

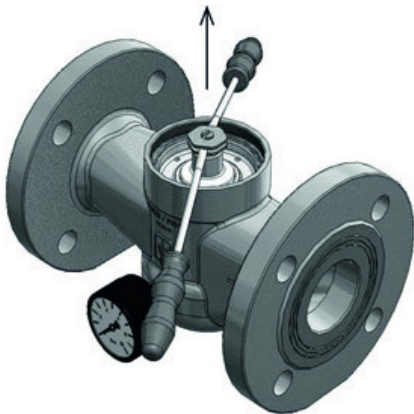
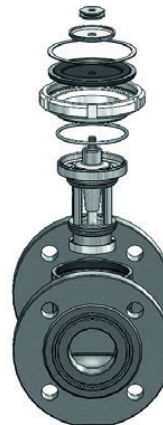


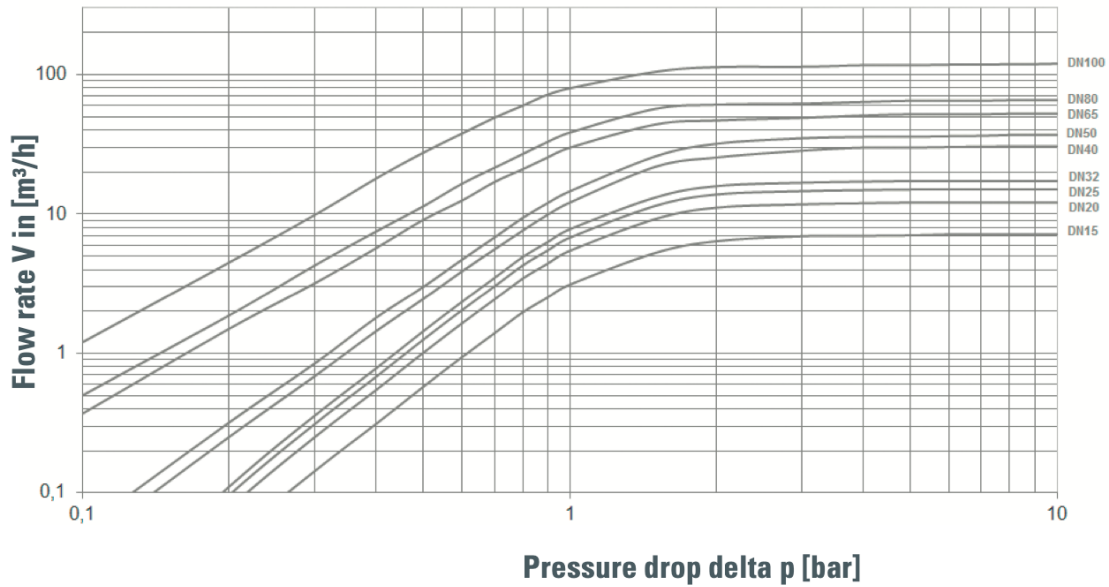
Illustration G



Performance table

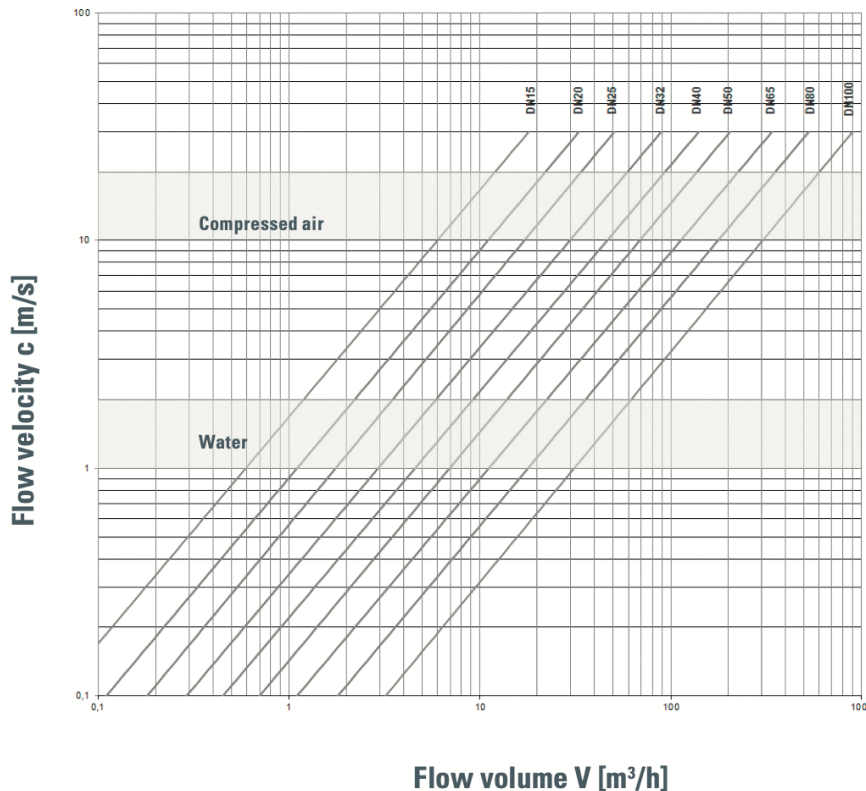
Dimensioning by pressure loss on the outlet pressure side

Flow chart water



Dimensioning by flow velocity

Actual cubic meters are based on the prevailing pressure of the medium on the outlet side of the pressure reducer.



For liquids:

With help of the chart you can determine the nominal diameter (DN) for a given flow volume V (m³/h). According to DVGW-guidelines (DIN 1988) a flow velocity of 2 m/s in domestic water supply systems should not be exceeded.

For compressed air and other gaseous media:

The usual flow velocity for compressed air is 10 – 20 m/s. For gaseous media the flow volume V should always be shown in actual cubic meters/hour. If the flow volume is given in standard cubic meters, these should be converted into actual cubic meters before using the diagram.

$$V \text{ (m}^3\text{/h)} = \frac{V_{\text{Norm}} \text{ (Nm}^3\text{/h)}}{p_{\text{absolut}} \text{ (bar)}} = \frac{V_{\text{Norm}}}{p_{\text{u}}+1}$$

Article number:

Parts	Type DM07	Type DM08
Body	Stainless steel	Stainless steel
Internals	Stainless steel	Stainless steel
Seal	EPDM (FDA)	FKM

Type	Outlet pressure	Connection	Size
DM07	01 – LP 0,5 up to 2,0 bar	00 – flange PN40**	03 – DN15
DM08	02 – SP 1,0 up to 8,0 bar		04 – DN20
	03 – HP 5,0 up to 15,0 bar***		05 – DN25
		06 – DN32	
		07 – DN40	
		08 – DN50	
		09 – DN65*	
		10 – DN80*	
		11 – DN100***	

* Sizes DN65 and DN80 are only available with SP-version.
 ** Size DN100 only in PN16 available
 *** Outlet pressure of DN100 5,0 up to 13,0 bar, version with piston.

Drinking water approval (DVGW-W up to +80°C, ACS, WRAS up to +85°C) for pressure reducers with EPDM-seal (type DM07) and outlet-pressure 1,0 – 8,0 bar SP

Example No. DM08030004:
DM08 | 03 | 00 | 04

Pressure reducing valve made of stainless steel with FKM seal
 Outlet pressure: 5,0 up to 15,0 bar (HP version)
 Connection: flange PN40
 Size: DN20

Image similar, subject change without notice.