

pressure-control-valve type MD03



description:

Pressure-control-valve for pressure air and neutral gaseous media to control pressure supply in a pipeline system. Pressure-control-valve back controllable (secondary ventilation).

product features:

- suitable for neutral gaseous media, oiled and non-oiled pressure air
- pressure-control-valve back controllable (secondary ventilation)
- lockable handwheel

connection:

G 3/4", G 1"

temperature:

0°C up to +50°C

pressure:

pressure entry max. 12 bar

design:

pressure-control-valve with diaphragm and secondary ventilation

body material:

plastic PA66

seals:

NBR

diaphragm:

NBR

primary pressure:

up to 16,0 bar

range of adjustment:

0,5 – 8,0 bar

media:

non-oiled and oiled pressure air, neutral gaseous media

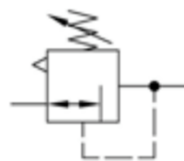
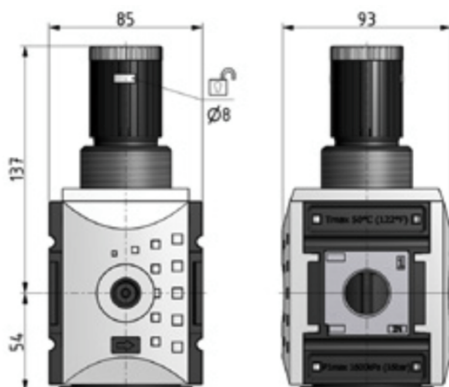
manometer:

external manometer included with delivery

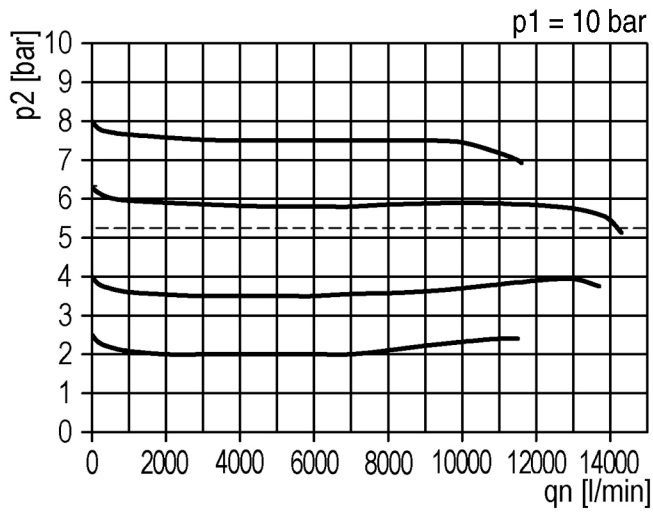
internal air consumption:

max. 1,5 l/min

dimensions:



flow rate and hysteresis:



article number:

Type	range of adjustment	Seal	diameter
MD03	00 – 0,5 - 8,0 Bar	00 – NBR	04 – G 3/4" 05 – G 1"

pressure-control-valve with diaphragm and secondary ventilation made of plastic
 primary pressure max. 16 bar
 seal: NBR
 diameter: G 3/4"

Image similar, subject change without notice.