

Port connection type EF

description:

Port connections as normed supplies for pneumatics. These fittings are perfectly suited for connecting tubes with each other or for connection tubes with threads.

type of design:

several fittings in different types

connection:

several thread and tube connections

material:

brass, stainless steel

seal:

NBR, FKM

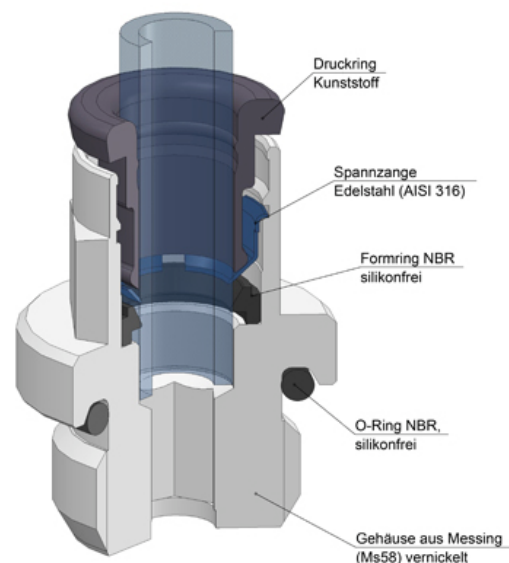
types:

- 01 – straight male adaptor
- 02 – straight female adaptor
- 03 – straight connector
- 04 – elbow connector
- 05 – T-connector
- 06 – complete single swivel banjo
- 07 – rotary elbow male adaptor parallel
- 08 – threaded elbow adaptor

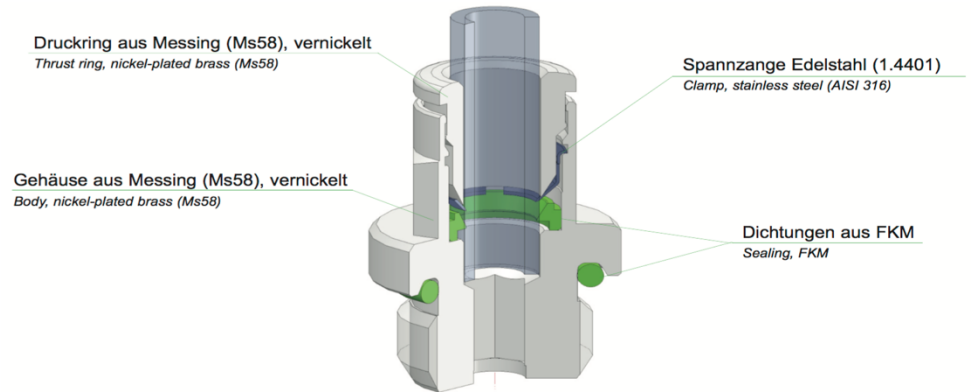
technical data	brass / NBR EFxx00	brass / FKM EFxx01	stainless steel / FKM EFxx11
temperature	-20°C - +80°C	-20°C - +150°C	-20°C - +150°C
working pressure	up to 16 bar	up to 16 bar	up to 16 bar
body	brass Ms58 nickel-plated	brass Ms58 nickel-plated	stainless steel AISI 316L (1.4404)
seal	silicon-free NBR	silicon-free FKM	FKM
collet	stainless steel 1.4401	stainless steel 1.4401	stainless steel 1.4401
pressure ring	black plastic	brass Ms58 nickel-plated	stainless steel 1.4404
thread	cyl. threaded DIN EN ISO 228 con. threaded DIN EN 10226	cyl. threaded DIN EN ISO 228 con. threaded DIN EN 10226	cyl. threaded DIN EN ISO 228 con. threaded DIN EN 10226
media	lubricated and non-lubricated compressed air	lubricated and non-lubricated compressed air	lubricated and non-lubricated compressed air
tube	for pathways acc. to ISO 14743	for pathways acc. to ISO 14743	for pathways acc. to ISO 14743

types:

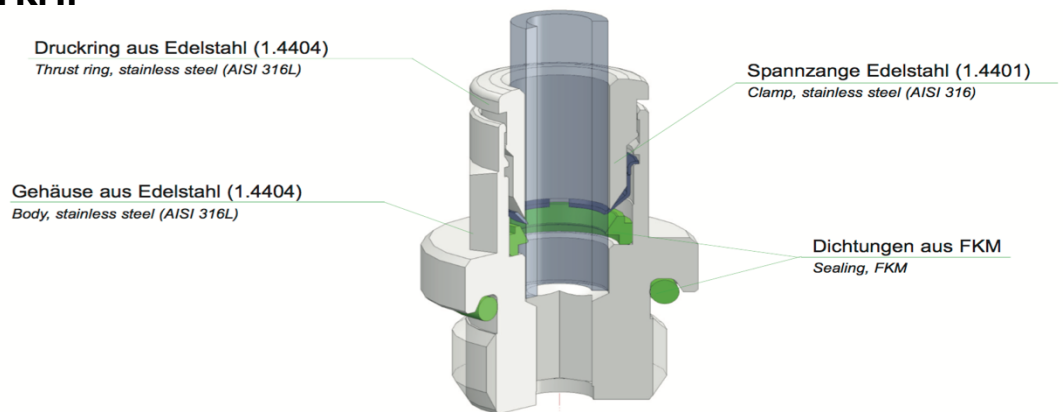
brass NBR:



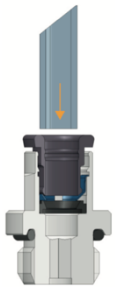
brass FKM:



stainless steel FKM:



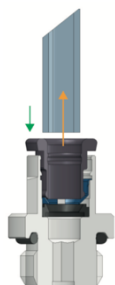
assembling instructions:



- Cut the tube square. To ensure an ideal sealing the tube should not be oval.
- Make sure that the tube is free of burrs.
- Push tube into fitting till it stops.



- Push tube into fitting till it stops.
- Test stability by pulling tube shortly.



- Push thrust ring to release the tube.
- Pull out tube with slight rotation.
- For a new assembling cut the tube plain again. Then pushing and releasing the tube should not be affected adversely.

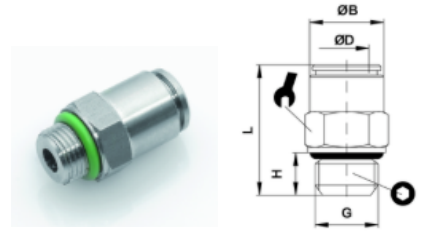
article number:

straight male adaptor EF01:

brass NBR/FKM:

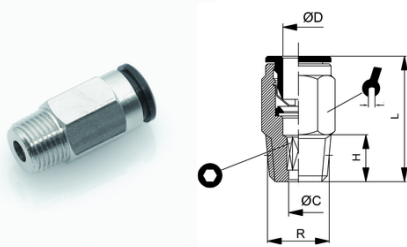


stainless steel FKM:

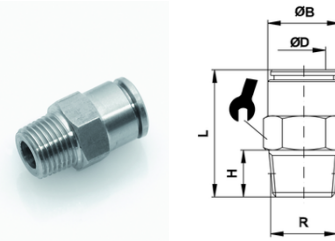


type	material	seal	thread	tube	ØB	ØC	H	L	SW	ISW	article no.
EF01	0 - brass	0 - NBR	00 - G1/8"	04 - D4mm	13,5	2,6	5,5	19,5	9	2,5	EF01000004
EF01	0 - brass	0 - NBR	01 - G1/4"	04 - D4mm	17	2,6	6,5	19,5	9	2,5	EF01000104
EF01	0 - brass	0 - NBR	00 - G1/8"	05 - D5mm	13,5	4,2	6	22	10	4	EF01000005
EF01	0 - brass	0 - NBR	01 - G1/4"	05 - D5mm	17	4,2	8	22	10	4	EF01000105
EF01	0 - brass	0 - NBR	00 - G1/8"	06 - D6mm	13,5	4,2	5,5	11	11	4	EF01000006
EF01	0 - brass	0 - NBR	01 - G1/4"	06 - D6mm	17	4,2	6,5	11	11	4	EF01000106
EF01	0 - brass	0 - NBR	02 - G3/8"	06 - D6mm	20	4,2	9	13	13	4	EF01000206
EF01	0 - brass	0 - NBR	00 - G1/8"	08 - D8mm	12,8	5,2	6	13	13	5	EF01000008
EF01	0 - brass	0 - NBR	01 - G1/4"	08 - D8mm	17	6,2	6,5	13	13	6	EF01000108
EF01	0 - brass	0 - NBR	02 - G3/8"	08 - D8mm	20	6,2	9	13	13	6	EF01000208
EF01	0 - brass	0 - NBR	03 - G1/2"	08 - D8mm	23	6,2	11	13	13	6	EF01000308
EF01	0 - brass	0 - NBR	00 - G1/8"	10 - D10mm	13,5	5,2	6	16	16	5	EF01000010
EF01	0 - brass	0 - NBR	01 - G1/4"	10 - D10mm	16	7,3	6,5	16	16	7	EF01000110
EF01	0 - brass	0 - NBR	02 - G3/8"	10 - D10mm	21	8,3	9	16	16	8	EF01000210
EF01	0 - brass	0 - NBR	03 - G1/2"	10 - D10mm	24	8,3	11	16	16	8	EF01000310
EF01	0 - brass	0 - NBR	01 - G1/4"	12 - D12mm	16	7,3	6,5	18	18	7	EF01000112
EF01	0 - brass	0 - NBR	02 - G3/8"	12 - D12mm	21	10,3	9	18	18	10	EF01000212
EF01	0 - brass	0 - NBR	03 - G1/2"	12 - D12mm	24	10,3	11	18	18	10	EF01000312
EF01	0 - brass	1 - FKM	00 - G1/8"	04 - D4mm	13,5	2,6	5,5	19,5	9	2,5	EF01010004
EF01	0 - brass	1 - FKM	01 - G1/4"	04 - D4mm	17	2,6	6,5	19,5	9	2,5	EF01010104
EF01	0 - brass	1 - FKM	00 - G1/8"	06 - D6mm	13,5	4,2	5,5	23,5	11	4	EF01010006
EF01	0 - brass	1 - FKM	01 - G1/4"	06 - D6mm	17	4,2	6,5	22,5	11	4	EF01010106
EF01	0 - brass	1 - FKM	00 - G1/8"	08 - D8mm	12,8	5,2	6	26,5	13	5	EF01010008
EF01	0 - brass	1 - FKM	01 - G1/4"	08 - D8mm	17	6,2	6,5	23,5	13	6	EF01010108
EF01	0 - brass	1 - FKM	02 - G3/8"	08 - D8mm	20	6,2	9	25	13	6	EF01010208
EF01	0 - brass	1 - FKM	00 - G1/8"	10 - D10mm	13,5	5,2	5,5	29	16	5	EF01010010
EF01	0 - brass	1 - FKM	01 - G1/4"	10 - D10mm	16	7,3	6,5	27,5	16	7	EF01010110
EF01	0 - brass	1 - FKM	02 - G3/8"	10 - D10mm	21	8,3	9	29,5	16	8	EF01010210
EF01	0 - brass	1 - FKM	01 - G1/4"	12 - D12mm	16	7,3	6,5	30	18	7	EF01010112
EF01	0 - brass	1 - FKM	02 - G3/8"	12 - D12mm	21	10,3	9	31	18	10	EF01010212
EF01	0 - brass	1 - FKM	03 - G1/2"	12 - D12mm	24	10,3	11	31,5	18	10	EF01010312
EF01	1 - stainless steel	1 - FKM	00 - G1/8"	04 - D4mm	9		5,5	19	13	3	EF01110004
EF01	1 - stainless steel	1 - FKM	00 - G1/8"	06 - D6mm	11		5,5	23,5	13	4	EF01110006
EF01	1 - stainless steel	1 - FKM	01 - G1/4"	06 - D6mm	11		6,5	20	16	4	EF01110106
EF01	1 - stainless steel	1 - FKM	00 - G1/8"	08 - D8mm	13		5,5	26	13	5	EF01110008
EF01	1 - stainless steel	1 - FKM	01 - G1/4"	08 - D8mm	13		6,5	23	16	6	EF01110108
EF01	1 - stainless steel	1 - FKM	01 - G1/4"	10 - D10mm	15		6,5	27,5	16	7	EF01110110
EF01	1 - stainless steel	1 - FKM	02 - G3/8"	10 - D10mm	15		9	25,5	20	8	EF01110210
EF01	1 - stainless steel	1 - FKM	03 - G1/2"	10 - D10mm	15		9	29	23	8	EF01110310
EF01	1 - stainless steel	1 - FKM	01 - G1/4"	12 - D12mm	17		6,5	30	18	7	EF01110112
EF01	1 - stainless steel	1 - FKM	02 - G3/8"	12 - D12mm	17		9	31	20	10	EF01110212
EF01	1 - stainless steel	1 - FKM	03 - G1/2"	12 - D12mm	17		9	29	23	10	EF01110312

brass NBR/FKM conic:



stainless steel FKM conic:



type	material	seal	thread	tube	ØB	ØC	H	L	SW	ISW	article no.
EF01	0 - brass	0 - NBR	k0 - R1/8"	04 - D4mm		2,6	8	22,5	10	2,5	EF0100k004
EF01	0 - brass	0 - NBR	k1 - R1/4"	04 - D4mm		2,6	11	22,5	14	2,5	EF0100k104
EF01	0 - brass	0 - NBR	k0 - R1/8"	06 - D6mm		4,2	6	24,5	11	4	EF0100k006
EF01	0 - brass	0 - NBR	k1 - R1/4"	06 - D6mm		4,2	7	24,5	14	4	EF0100k106
EF01	0 - brass	0 - NBR	k0 - R1/8"	08 - D8mm		5,2	7	27,5	13	5	EF0100k008
EF01	0 - brass	0 - NBR	k1 - R1/4"	08 - D8mm		5,2	11	27,5	13	5	EF0100k108
EF01	0 - brass	0 - NBR	k2 - R3/8"	08 - D8mm		5,2	11,5	28	17	5	EF0100k208
EF01	0 - brass	0 - NBR	k1 - R1/4"	10 - D10mm		7,3	11	32,5	16	7	EF0100k110
EF01	0 - brass	0 - NBR	k2 - R3/8"	10 - D10mm		8,3	11,5	32,5	17	8	EF0100k210
EF01	0 - brass	0 - NBR	k1 - R1/4"	12 - D12mm		7,3	11	32,5	17	8	EF0100k112
EF01	0 - brass	0 - NBR	k2 - R3/8"	12 - D12mm		8,3	11,5	30,5	17	8	EF0100k212
EF01	0 - brass	0 - NBR	k3 - R1/2"	12 - D12mm		10,3	14	33	22	10	EF0100k312
EF01	0 - brass	1 - FKM	k0 - R1/8"	04 - D4mm		2,6	8	22,5	10	2,5	EF0101k004
EF01	0 - brass	1 - FKM	k1 - R1/4"	04 - D4mm		2,6	11	22,5	14	2,5	EF0101k104
EF01	0 - brass	1 - FKM	k0 - R1/8"	06 - D6mm		4,2	7	24,5	11	4	EF0101k006
EF01	0 - brass	1 - FKM	k1 - R1/4"	06 - D6mm		4,2	11	24,5	14	4	EF0101k106
EF01	0 - brass	1 - FKM	k0 - R1/8"	08 - D8mm		5,2	7	27,5	13	5	EF0101k008
EF01	0 - brass	1 - FKM	k1 - R1/4"	08 - D8mm		5,2	11	27,5	13	5	EF0101k108
EF01	0 - brass	1 - FKM	k2 - R3/8"	08 - D8mm		5,2	11,5	28	17	5	EF0101k208
EF01	0 - brass	1 - FKM	k1 - R1/4"	10 - D10mm		7,3	11	32,5	16	7	EF0101k110
EF01	0 - brass	1 - FKM	k2 - R3/8"	10 - D10mm		8,3	11,5	32,5	17	8	EF0101k210
EF01	0 - brass	1 - FKM	k1 - R1/4"	12 - D12mm		7,3	11	32,5	17	8	EF0101k112
EF01	0 - brass	1 - FKM	k2 - R3/8"	12 - D12mm		8,3	11,5	30,5	17	8	EF0101k212
EF01	0 - brass	1 - FKM	k3 - R1/2"	12 - D12mm		10,3	14	33	22	10	EF0101k312
EF01	1 - stainless steel	1 - FKM	k0 - R1/8"	04 - D4mm	9		6,5	19	3	10	EF0111k004
EF01	1 - stainless steel	1 - FKM	k1 - R1/4"	04 - D4mm	9		11	22,5	3	14	EF0111k104
EF01	1 - stainless steel	1 - FKM	k0 - R1/8"	06 - D6mm	11		7,5	21,5	5	12	EF0111k006
EF01	1 - stainless steel	1 - FKM	k1 - R1/4"	06 - D6mm	11		11	21,5	5	14	EF0111k106
EF01	1 - stainless steel	1 - FKM	k0 - R1/8"	08 - D8mm	13		7,5	26,5	6	14	EF0111k008
EF01	1 - stainless steel	1 - FKM	k1 - R1/4"	08 - D8mm	13		11	23,5	6	14	EF0111k108
EF01	1 - stainless steel	1 - FKM	k1 - R1/4"	10 - D10mm	15		11	30,5	8	16	EF0111k110
EF01	1 - stainless steel	1 - FKM	k2 - R3/8"	10 - D10mm	15		11,5	26,5	8	17	EF0111k210
EF01	1 - stainless steel	1 - FKM	k2 - R3/8"	12 - D12mm	18		11,5	27,5	10	17	EF0111k212
EF01	1 - stainless steel	1 - FKM	k3 - R1/2"	12 - D12mm	18		14	27,5	10	22	EF0111k312

straight female adaptor EF02:
brass NBR/FKM:



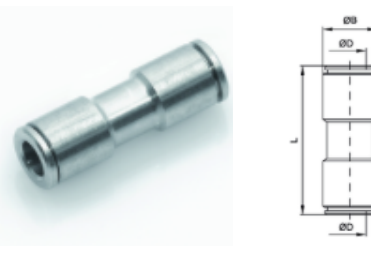
type	material	seal	thread	tube	ØB	H	L	SW	article no.
EF02	0 - brass	0 - NBR	00 - G1/8"	04 - D4mm	12	6,5	26,5	9	EF02000004
EF02	0 - brass	0 - NBR	01 - G1/4"	04 - D4mm	17	10	29,5	9	EF02000104
EF02	0 - brass	0 - NBR	00 - G1/8"	05 - D5mm	12	6,5	27	10	EF02000005
EF02	0 - brass	0 - NBR	01 - G1/4"	05 - D5mm	16	10	30	10	EF02000105
EF02	0 - brass	0 - NBR	00 - G1/8"	06 - D6mm	12	6,5	27	11	EF02000006
EF02	0 - brass	0 - NBR	01 - G1/4"	06 - D6mm	17	10	31	11	EF02000106
EF02	0 - brass	0 - NBR	00 - G1/8"	08 - D8mm	12	6,5	28	13	EF02000008
EF02	0 - brass	0 - NBR	01 - G1/4"	08 - D8mm	17	10	32	13	EF02000108
EF02	0 - brass	0 - NBR	01 - G1/4"	10 - D10mm	16	10	32	16	EF02000110
EF02	0 - brass	1 - FKM	00 - G1/8"	04 - D4mm	12	6,5	26,5	9	EF02010004
EF02	0 - brass	1 - FKM	01 - G1/4"	04 - D4mm	17	10	29,5	9	EF02010104
EF02	0 - brass	1 - FKM	00 - G1/8"	06 - D6mm	12	6,5	26,5	9	EF02010006
EF02	0 - brass	1 - FKM	01 - G1/4"	06 - D6mm	17	10	31	11	EF02010106
EF02	0 - brass	1 - FKM	00 - G1/8"	08 - D8mm	12	6,5	28	13	EF02010008
EF02	0 - brass	1 - FKM	01 - G1/4"	08 - D8mm	17	10	32	13	EF02010108
EF02	0 - brass	1 - FKM	01 - G1/4"	10 - D10mm	16	10	32	16	EF02010110
EF02	0 - brass	1 - FKM	02 - G3/8"	10 - D10mm	20	13	37,5	20	EF02010210
EF02	0 - brass	1 - FKM	01 - G1/4"	12 - D12mm	20	13	39,5	20	EF02010112
EF02	0 - brass	1 - FKM	02 - G3/8"	12 - D12mm	20	13	39,5	20	EF02010212

straight connector EF03:

brass NBR/FKM:



stainless steel FKM:



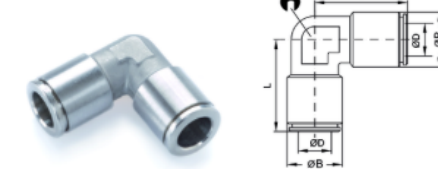
type	material	seal	thread	tube	ØB 1	ØB 2	L	article no.
EF03	0 - brass	0 - NBR	03 - D3mm	03 - D3mm	6,5	6,5	21	EF03000303
EF03	0 - brass	0 - NBR	04 - D4mm	04 - D4mm	9	9	31	EF03000404
EF03	0 - brass	0 - NBR	05 - D5mm	05 - D5mm	9,5	9,5	33	EF03000505
EF03	0 - brass	0 - NBR	06 - D6mm	06 - D6mm	11	11	34	EF03000606
EF03	0 - brass	0 - NBR	08 - D8mm	08 - D8mm	13	13	38	EF03000808
EF03	0 - brass	0 - NBR	10 - D10mm	10 - D10mm	15	15	39	EF03001010
EF03	0 - brass	0 - NBR	12 - D12mm	12 - D12mm	1	1	43,5	EF03001212
EF03	0 - brass	1 - FKM	04 - D4mm	04 - D4mm	9	9	31	EF03010404
EF03	0 - brass	1 - FKM	06 - D6mm	06 - D6mm	11	11	34	EF03010606
EF03	0 - brass	1 - FKM	08 - D8mm	08 - D8mm	13	13	38	EF03010808
EF03	0 - brass	1 - FKM	10 - D10mm	10 - D10mm	15	15	39	EF03011010
EF03	0 - brass	1 - FKM	12 - D12mm	12 - D12mm	17	17	43,5	EF03011212
EF03	1 - stainless steel	1 - FKM	04 - D4mm	04 - D4mm	9	9	32	EF03110404
EF03	1 - stainless steel	1 - FKM	06 - D6mm	06 - D6mm	11	11	35	EF03110606
EF03	1 - stainless steel	1 - FKM	08 - D8mm	08 - D8mm	13	13	39	EF03110808
EF03	1 - stainless steel	1 - FKM	10 - D10mm	10 - D10mm	15	15	39	EF03111010
EF03	1 - stainless steel	1 - FKM	12 - D12mm	12 - D12mm	17	17	41	EF03111212

elbow connector EF04:

brass NBR/FKM:



stainless steel FKM:



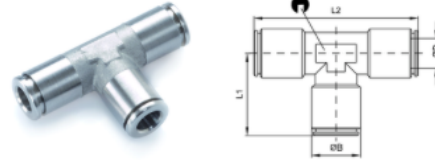
type	material	seal	tube	tube	ØB	L	SW	article no.
EF04	0 - brass	0 - NBR	03 - D3mm	03 - D3mm	6	12		EF04000303
EF04	0 - brass	0 - NBR	04 - D4mm	04 - D4mm	9	17,5		EF04000404
EF04	0 - brass	0 - NBR	05 - D5mm	05 - D5mm	9,5	19		EF04000505
EF04	0 - brass	0 - NBR	06 - D6mm	06 - D6mm	11	20		EF04000606
EF04	0 - brass	0 - NBR	08 - D8mm	08 - D8mm	13	23		EF04000808
EF04	0 - brass	0 - NBR	10 - D10mm	10 - D10mm	15	25		EF04001010
EF04	0 - brass	0 - NBR	12 - D12mm	12 - D12mm	17	27,5		EF04001212
EF04	0 - brass	1 - FKM	04 - D4mm	04 - D4mm	9	17,5		EF04010404
EF04	0 - brass	1 - FKM	06 - D6mm	06 - D6mm	11	20		EF04010606
EF04	0 - brass	1 - FKM	08 - D8mm	08 - D8mm	13	23		EF04010808
EF04	0 - brass	1 - FKM	10 - D10mm	10 - D10mm	15	25		EF04011010
EF04	0 - brass	1 - FKM	12 - D12mm	12 - D12mm	17	27,5		EF04011212
EF04	1 - stainless steel	1 - FKM	04 - D4mm	04 - D4mm	9	17,5	9	EF04110404
EF04	1 - stainless steel	1 - FKM	06 - D6mm	06 - D6mm	11	20,5	11	EF04110606
EF04	1 - stainless steel	1 - FKM	08 - D8mm	08 - D8mm	13	22,5	11	EF04110808
EF04	1 - stainless steel	1 - FKM	10 - D10mm	10 - D10mm	15	25	15	EF04111010
EF04	1 - stainless steel	1 - FKM	12 - D12mm	12 - D12mm	17	27	15	EF04111212

T-connector EF05:

brass NBR/FKM:



stainless steel FKM:



type	material	seal	tube	tube	ØB 1	ØB 2	L	L 2	article no.
EF05	0 - brass	0 - NBR	03 - D3mm	03 - D3mm	6,5	6,5	11,5		EF05000303
EF05	0 - brass	0 - NBR	04 - D4mm	04 - D4mm	9	9	18		EF05000404
EF05	0 - brass	0 - NBR	05 - D5mm	05 - D5mm	9,5	9,5	19		EF05000505
EF05	0 - brass	0 - NBR	06 - D6mm	06 - D6mm	11	11	19,5		EF05000606
EF05	0 - brass	0 - NBR	08 - D8mm	08 - D8mm	13	13	22,5		EF05000808
EF05	0 - brass	0 - NBR	10 - D10mm	10 - D10mm	15	15	25		EF05001010
EF05	0 - brass	0 - NBR	12 - D12mm	12 - D12mm	17	17	27		EF05001212
EF05	0 - brass	1 - FKM	04 - D4mm	04 - D4mm	9	9	18		EF05010404
EF05	0 - brass	1 - FKM	06 - D6mm	06 - D6mm	11	11	19,5		EF05010606
EF05	0 - brass	1 - FKM	08 - D8mm	08 - D8mm	13	13	22,5		EF05010808
EF05	0 - brass	1 - FKM	10 - D10mm	10 - D10mm	15	15	25		EF05011010
EF05	0 - brass	1 - FKM	12 - D12mm	12 - D12mm	17	17	27		EF05011212
EF05	1 - stainless steel	1 - FKM	04 - D4mm	04 - D4mm	9		18	36	EF05110404
EF05	1 - stainless steel	1 - FKM	06 - D6mm	06 - D6mm	11		20,5	41	EF05110606
EF05	1 - stainless steel	1 - FKM	08 - D8mm	08 - D8mm	13		22,5	15	EF05110808
EF05	1 - stainless steel	1 - FKM	10 - D10mm	10 - D10mm	15		25	50	EF05111010
EF05	1 - stainless steel	1 - FKM	12 - D12mm	12 - D12mm	17		26,5	53	EF05111212

complete single swivel banjo EF06:

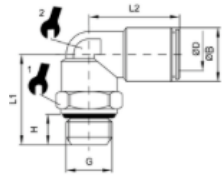
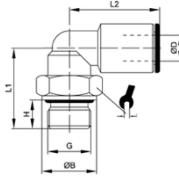
brass NBR/FKM:



type	material	seal	thread	tube	ØB	H	L 1	L 2	SW	article no.
EF06	0 - brass	0 - NBR	00 - G1/8"	04 - D4mm	14	5,5	28	21	14	EF06000004
EF06	0 - brass	0 - NBR	00 - G1/8"	05 - D5mm	14	5,5	28	22,5	14	EF06000005
EF06	0 - brass	0 - NBR	00 - G1/8"	06 - D6mm	14	5,5	28	23	14	EF06000006
EF06	0 - brass	0 - NBR	01 - G1/4"	06 - D6mm	18	7	33	24	17	EF06000106
EF06	0 - brass	0 - NBR	00 - G1/8"	08 - D8mm	14	5,5	28	24,5	14	EF06000008
EF06	0 - brass	0 - NBR	01 - G1/4"	08 - D8mm	18	7	33	26	17	EF06000108
EF06	0 - brass	0 - NBR	02 - G3/8"	08 - D8mm	21	7,5	36	27,5	19	EF06000208
EF06	0 - brass	0 - NBR	01 - G1/4"	10 - D10mm	18	7	33	27	17	EF06000110
EF06	0 - brass	0 - NBR	02 - G3/8"	10 - D10mm	21	7,5	36	28,5	19	EF06000210
EF06	0 - brass	0 - NBR	01 - G1/4"	12 - D12mm	18	7	33	28,5	17	EF06000112
EF06	0 - brass	0 - NBR	02 - G3/8"	12 - D12mm	21	7,5	36	29,5	19	EF06000212
EF06	0 - brass	1 - FKM	00 - G1/8"	04 - D4mm	14	5,5	28	21	14	EF06010004
EF06	0 - brass	1 - FKM	00 - G1/8"	06 - D6mm	14	5,5	28	23	14	EF06010006
EF06	0 - brass	1 - FKM	01 - G1/4"	06 - D6mm	18	7	33	24	17	EF06010106
EF06	0 - brass	1 - FKM	00 - G1/8"	08 - D8mm	14	5,5	28	24,5	14	EF06010008
EF06	0 - brass	1 - FKM	01 - G1/4"	08 - D8mm	18	7	33	26	17	EF06010108
EF06	0 - brass	1 - FKM	02 - G3/8"	08 - D8mm	21	7,5	36	27,5	19	EF06010208
EF06	0 - brass	1 - FKM	01 - G1/4"	10 - D10mm	18	7	33	27	17	EF06010110
EF06	0 - brass	1 - FKM	02 - G3/8"	12 - D12mm	21	7,5	36	29,5	19	EF06010212

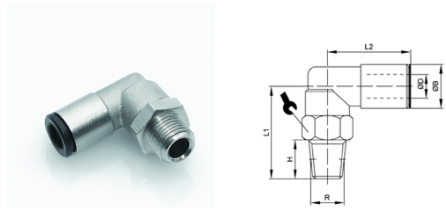
rotary elbow male adaptor parallel EF07:
brass NBR/FKM:

stainless steel FKM:

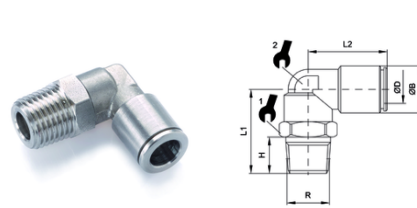


type	material	seal	thread	tube	ØB	H	L 1	L 2	SW 1	SW 2	article no.
EF07	0 - brass	0 - NBR	00 - G1/8"	04 - D4mm	13	5,5	19,5	20	13		EF07000004
EF07	0 - brass	0 - NBR	01 - G1/4"	04 - D4mm	16	6,5	22,5	20	13		EF07000104
EF07	0 - brass	0 - NBR	00 - G1/8"	05 - D5mm	13	5,5	19,5	21	13		EF07000005
EF07	0 - brass	0 - NBR	01 - G1/4"	05 - D5mm	16	6,5	22,5	21	13		EF07000105
EF07	0 - brass	0 - NBR	00 - G1/8"	06 - D6mm	13	5,5	19,5	21,5	13		EF07000006
EF07	0 - brass	0 - NBR	01 - G1/4"	06 - D6mm	16	6,5	23	23,5	13		EF07000106
EF07	0 - brass	0 - NBR	00 - G1/8"	08 - D8mm	13	5,5	20	23,5	13		EF07000008
EF07	0 - brass	0 - NBR	01 - G1/4"	08 - D8mm	16	6,5	23	23,5	13		EF07000108
EF07	0 - brass	0 - NBR	02 - G3/8"	08 - D8mm	20	9	26	23,5	13		EF07000208
EF07	0 - brass	0 - NBR	01 - G1/4"	10 - D10mm	16	6,5	22,5	26,5	16		EF07000110
EF07	0 - brass	0 - NBR	02 - G3/8"	10 - D10mm	20	9	28	26,5	16		EF07000210
EF07	0 - brass	0 - NBR	03 - G1/2"	10 - D10mm	25	11	30	26,5	16		EF07000310
EF07	0 - brass	0 - NBR	01 - G1/4"	12 - D12mm	16	6,5	29	29	16		EF07000112
EF07	0 - brass	0 - NBR	02 - G3/8"	12 - D12mm	20	9	28,5	29	20		EF07000212
EF07	0 - brass	0 - NBR	03 - G1/2"	12 - D12mm	25	11	33,5	29	20		EF07000312
EF07	0 - brass	1 - FKM	00 - G1/8"	04 - D4mm	13	5,5	19,5	20	13		EF07010004
EF07	0 - brass	1 - FKM	00 - G1/8"	06 - D6mm	13	5,5	19,5	21,5	13		EF07010006
EF07	0 - brass	1 - FKM	01 - G1/4"	06 - D6mm	16	6,5	22,5	21,5	13		EF07010106
EF07	0 - brass	1 - FKM	00 - G1/8"	08 - D8mm	13	5,5	20	23,5	13		EF07010008
EF07	0 - brass	1 - FKM	01 - G1/4"	08 - D8mm	16	6,5	23	23,5	13		EF07010108
EF07	0 - brass	1 - FKM	02 - G3/8"	08 - D8mm	20	9	26	23,5	13		EF07010208
EF07	0 - brass	1 - FKM	01 - G1/4"	10 - D10mm	16	6,5	22,5	26,5	16		EF07010110
EF07	0 - brass	1 - FKM	02 - G3/8"	10 - D10mm	20	9	28	26,5	16		EF07010210
EF07	1 - stainless steel	1 - FKM	00 - G1/8"	04 - D4mm	9	5,5	19,5	20	13	10	EF07110004
EF07	1 - stainless steel	1 - FKM	01 - G1/4"	04 - D4mm	9	6,5	20,5	20	16	10	EF07110104
EF07	1 - stainless steel	1 - FKM	00 - G1/8"	06 - D6mm	11	5,5	19,5	21,5	13	10	EF07110006
EF07	1 - stainless steel	1 - FKM	01 - G1/4"	06 - D6mm	11	6,5	20,5	21,5	16	10	EF07110106
EF07	1 - stainless steel	1 - FKM	00 - G1/8"	08 - D8mm	13	5,5	19,5	23,5	13	10	EF07110008
EF07	1 - stainless steel	1 - FKM	01 - G1/4"	08 - D8mm	13	6,5	20,5	23,5	16	10	EF07110108
EF07	1 - stainless steel	1 - FKM	01 - G1/4"	10 - D10mm	15	6,5	23	26,5	16	15	EF07110110
EF07	1 - stainless steel	1 - FKM	02 - G3/8"	10 - D10mm	15	9	26,5	26,5	20	15	EF07110210
EF07	1 - stainless steel	1 - FKM	01 - G1/4"	12 - D12mm	17	6,5	29	28,5	16	17	EF07110112
EF07	1 - stainless steel	1 - FKM	02 - G3/8"	12 - D12mm	17	9	28,5	28,5	20	17	EF07110212
EF07	1 - stainless steel	1 - FKM	03 - G1/2"	12 - D12mm	18,5	8,5	33,5	28	20		EF07110312

brass NBR conic:



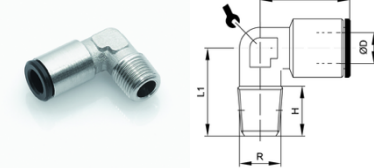
stainless steel FKM conic:



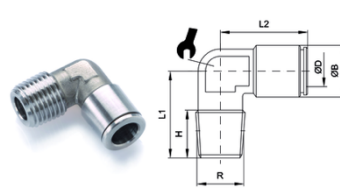
type	material	seal	thread	tube	ØB	H	L 1	L 2	SW 1	SW 2	article no.
EF07	0 - brass	0 - NBR	k0 - R1/8"	04 - D4mm		7	20	20	13		EF0700k004
EF07	0 - brass	0 - NBR	k1 - R1/4"	04 - D4mm		11	25	20	14		EF0700k104
EF07	0 - brass	0 - NBR	k0 - R1/8"	06 - D6mm		7	20	21,5	13		EF0700k006
EF07	0 - brass	0 - NBR	k1 - R1/4"	06 - D6mm		11	25	21,5	14		EF0700k106
EF07	0 - brass	0 - NBR	k0 - R1/8"	08 - D8mm		7	20,5	24	13		EF0700k008
EF07	0 - brass	0 - NBR	k1 - R1/4"	08 - D8mm		11	25,5	24	14		EF0700k108
EF07	0 - brass	0 - NBR	k2 - R3/8"	08 - D8mm		11	28,5	24	18		EF0700k208
EF07	0 - brass	0 - NBR	k1 - R1/4"	10 - D10mm		11	26	27	16		EF0700k110
EF07	0 - brass	0 - NBR	k2 - R3/8"	10 - D10mm		11	30	27	18		EF0700k210
EF07	0 - brass	0 - NBR	k2 - R3/8"	12 - D12mm		11	32,5	29	20		EF0700k212
EF07	0 - brass	0 - NBR	k3 - R1/2"	12 - D12mm		14	35,5	29	22		EF0700k312
EF07	1 - stainless steel	1 - FKM	k0 - R1/8"	04 - D4mm	9	7	20	20	13	10	EF0711k004
EF07	1 - stainless steel	1 - FKM	k1 - R1/4"	04 - D4mm	9	11	25	20	10	14	EF0711k104
EF07	1 - stainless steel	1 - FKM	k0 - R1/8"	06 - D6mm	11	7	20	21,5	13	10	EF0711k006
EF07	1 - stainless steel	1 - FKM	k1 - R1/4"	06 - D6mm	11	11	25	21,5	14	10	EF0711k106
EF07	1 - stainless steel	1 - FKM	k0 - R1/8"	08 - D8mm	13	7	20	23,5	13	10	EF0711k008
EF07	1 - stainless steel	1 - FKM	k1 - R1/4"	08 - D8mm	13	11	25	23,5	14	10	EF0711k108
EF07	1 - stainless steel	1 - FKM	k1 - R1/4"	10 - D10mm	15	11	26	26,5	16	15	EF0711k110
EF07	1 - stainless steel	1 - FKM	k2 - R3/8"	10 - D10mm	15	11	30	26,5	15	17	EF0711k210
EF07	1 - stainless steel	1 - FKM	k2 - R3/8"	12 - D12mm	17	11	32,5	28,5	17	20	EF0711k212
EF07	1 - stainless steel	1 - FKM	k1 - R1/4"	12 - D12mm	17	11	32,5	28,5	17	20	EF0711k112
EF07	1 - stainless steel	1 - FKM	k3 - R1/2"	12 - D12mm	17	14	35,5	28,5	17	22	EF0711k312

threaded elbow adaptor EF08:

brass NBR conic:



stainless steel FKM conic:



type	material	seal	thread	tube	ØB	H	L 1	L 2	SW	article no.
EF08	0 - brass	0 - NBR	k0 - R1/8"	04 - D4mm		8	16,5	18,5	10	EF0800k004
EF08	0 - brass	0 - NBR	k0 - R1/8"	05 - D5mm		8	16,5	19	10	EF0800k005
EF08	0 - brass	0 - NBR	k0 - R1/8"	06 - D6mm		8	16,5	22,5	10	EF0800k006
EF08	0 - brass	0 - NBR	k1 - R1/4"	06 - D6mm		11,5	22,5	24	12	EF0800k106
EF08	0 - brass	0 - NBR	k0 - R1/8"	08 - D8mm		10	18,5	25	11	EF0800k008
EF08	0 - brass	0 - NBR	k1 - R1/4"	08 - D8mm		12	22,5	25	11	EF0800k108
EF08	0 - brass	0 - NBR	k1 - R1/4"	10 - D10mm		12	22	25	14	EF0800k110
EF08	1 - stainless steel	1 - FKM	k0 - R1/8"	04 - D4mm	9	7,5	14	18,5	9	EF0811k004
EF08	1 - stainless steel	1 - FKM	k0 - R1/8"	06 - D6mm	11	8	17	20,5	11	EF0811k006
EF08	1 - stainless steel	1 - FKM	k1 - R1/4"	06 - D6mm	11	11,5	20	20,5	11	EF0811k106
EF08	1 - stainless steel	1 - FKM	k0 - R1/8"	08 - D8mm	13	8	17	22,5	11	EF0811k008
EF08	1 - stainless steel	1 - FKM	k1 - R1/4"	08 - D8mm	13	11	20	22,5	11	EF0811k108

Image similar, subject change without notice.