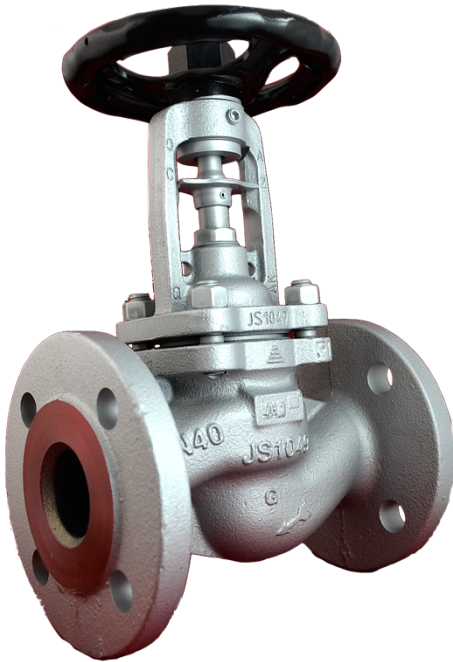


Globe valve type AV04



Description:

Maintenance free globe valves for a controlled opening and closing of a pipeline system. With optional regulation plug to control the flow rate.

Features:

- suitable for neutral and not neutral **gaseous & liquid media**
- maintenance free
- double wall bellows seal as standard
- position indicator
- non-rising handwheel
- non-rotation lock for each nominal diameter
- Plug with marginal seat
- Installation in any position, spindle preferably in vertical position

connection:

DN15, DN20, DN25, DN32, DN40, DN50, DN65, DN80, DN100, DN125, DN150, DN200, DN250

temperature:

-60°C to 400°C –
depending on design

pressure:

up to 40,0 bar–
depending on design

Type AV04*

design:

Stop valve – straight through with flanges and bellows seal

pressure:

PN16 Type AV040
PN40 Type AV041

type:

AV04 Stainless steel

body:

Stainless steel 1.4408

bonnet:

Stainless steel 1.4408

plug:

Stainless steel 1.4571

plug design:

Type AVXXX1: plug with marginal seat
Type AVXXX2: regulating plug

bellows:

Stainless steel 1.4571

handwheel:

Steel / from DN150 EN-JL1040 epoxy-coating

packing ring:

Pure graphite

test:

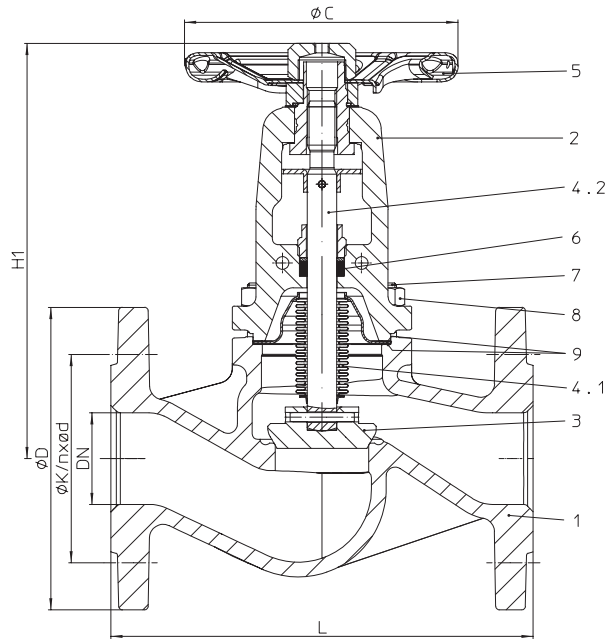
EN ISO 15848-1

TA Luft TÜV-Test-No. 973-10675245-10 B*

*TA Luft on request

Parts and material:

Pos.	Description
1	Body
2	Bonnet
3	Plug
4	Spindle unit
4.1	Bellows seal
4.2	Stem
5	Handwheel
6	Packing ring
7	Hexagon bolt
8	Hexagon nut
9	Gasket



Dimensions:

DN	15	20	25	32	40	50	65	80	100	125	150	200	250
L	130	150	160	180	200	230	290	310	350	400	480	600	730
H1	205	205	210	210	225	230	245	265	365	395	430	550	720
PN16	125	125	125	125	150	150	175	175	225	300	400	520	520
PN40	125	125	125	125	150	150	175	225	300	300	400	520	520
Travel	6	6	8	8	13	13	16	20	25	32	40	50	70
KVS-value	5,3	7,2	12	16	28,5	43	75	105	170	270	405	675	1090
Zeta-value	2,9	4,9	4,3	6,5	5,0	5,4	5,1	5,9	5,5	5,3	4,9	5,6	5,2

PN 16	DN	15	20	25	32	42	50	65	80	100	125	150	200	250
	ØD	95	105	115	140	150	165	185	200	220	250	285	340	405
	ØK	65	75	85	100	110	125	145	160	180	210	240	295	355
	N x ØD	4x14	4x14	4x14	4x18	4x18	4x18	4x18	8x18	8x18	8x18	8x22	12x22	12x2

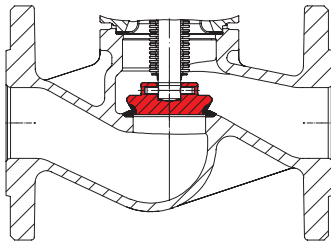
PN 40	DN	15	20	25	32	42	50	65	80	100	125	150	200	250
	ØD	95	105	115	140	150	165	185	200	235	270	300	375	450
	ØK	65	75	85	100	110	125	145	160	190	220	250	320	385
	N x ØD	4x14	4x14	4x14	4x18	4x18	4x18	8x18	8x18	8x22	8x26	8x26	12x30	12x33

Differential pressure:

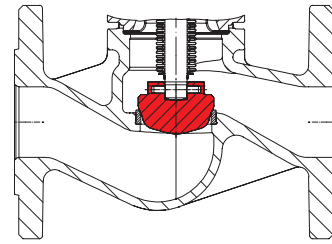
NieRuf Globe valves have to be equipped with a balancing plug if exceeding the differential pressures listed below:

DN	125	150	200	250
Differential pressure (bar)	25	21	14	9

Plug:



Isolation plug with marginal seat



Regulating plug

Pressure-temperature-ratings:

Intermediate values for max. permissible operational pressures can be determined by linear interpolation of the given temperature / pressure chart.

acc. to DIN EN 1092-1	-60°C to -10°C	-10°C to 120°C	150°C	200°C	250°C	300°C	350°C	400°C	450°C
1.4408	16 bar	16	14,5	13,4	12,7	11,8	11,4	10,9	--
1.4408	40 bar	40	36,3	33,7	31,8	29,7	28,5	27,4	--

Article number:

type	pressure	plug	connection	size
AV04	0 – PN16 1 – PN40	1 – marginal seat 2 – regulating seat	00 – flange	03 – DN15 04 – DN20 05 – DN25 06 – DN32 07 – DN40 08 – DN50 09 – DN65 10 – DN80 11 – DN100 12 – DN125 13 – DN150 14 – DN200 15 – DN250

Article number for balancing plug on demand.

Example no. AV04010008:

AV04 | **0** | **1** | **00** | **08**

Globe valve made of stainless steel

pressure: PN16

plug: marginal seat

connection: flange

size: DN50

Image similar, subject change without notice.