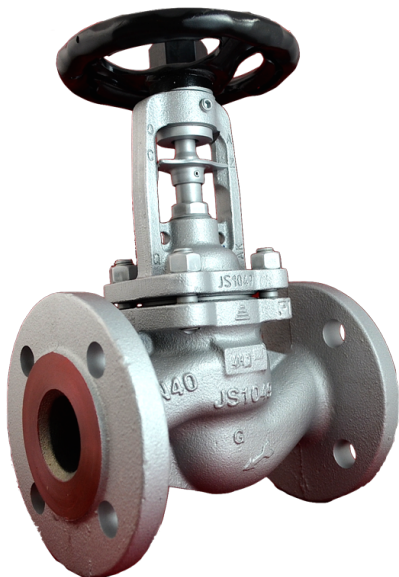


## Globe valve type AV01 / AV02 / AV03



### Description:

Maintenance free globe valves for a controlled opening and closing of a pipeline system. With optional regulation plug to control the flow rate.

### Product features:

- suitable for neutral and not neutral **gaseous & liquid media**
- maintenance free
- double wall bellows seal as standard
- non-rising handwheel
- non-rotation lock
- Installation in any position, spindle preferably in vertical position

### Connection:

DN15, DN20, DN25, DN32, DN40, DN50, DN65, DN80, DN100, DN125, DN150, DN200, DN250, DN300, DN350

### Temperature:

-10°C to 450°C  
- depending on design

### Pressure:

up to 40,0 bar  
- depending on design

### Type AV01 / AV02 / AV03

<b>Design:</b>	Globe valve – straight through with flanges and bellows seal		
<b>Type:</b>	<b>AV01</b> Grey cast	<b>AV02</b> SG iron	<b>AV03</b> Cast steel
<b>Body:</b>	EN-JL1040	EN-JS1049	1.0619+N
<b>Seat ring:</b>	1.4021+QT	1.4021+QT	1.4021+QT / from DN65 1.4551
<b>Bonnet:</b>	EN-JS1049	EN-JS1049	1.0619+N
<b>Pressure:</b>	PN16	PN16	PN40
<b>Plug:</b>	1.4021+QT hardened / from DN250 1.0425 / Stellite 21		
<b>Bellows:</b>	Stainless steel 1.4571		
<b>Handwheel:</b>	Steel / from DN150 EN-JL1040 epoxy-coated		
<b>Packing ring:</b>	Pure graphite		
<b>Plug design:</b>	TYP AVXX01: plug with marginal seat TYP AVXX02: regulation plug		
<b>Test:</b>	Type AV02: DIN DVGW fuel gas acc. to G260		

### Pressure-temperature-ratings:

Intermediate values for max. permissible operational pressures can be determined by linear interpolation of the given temperature / pressure chart.

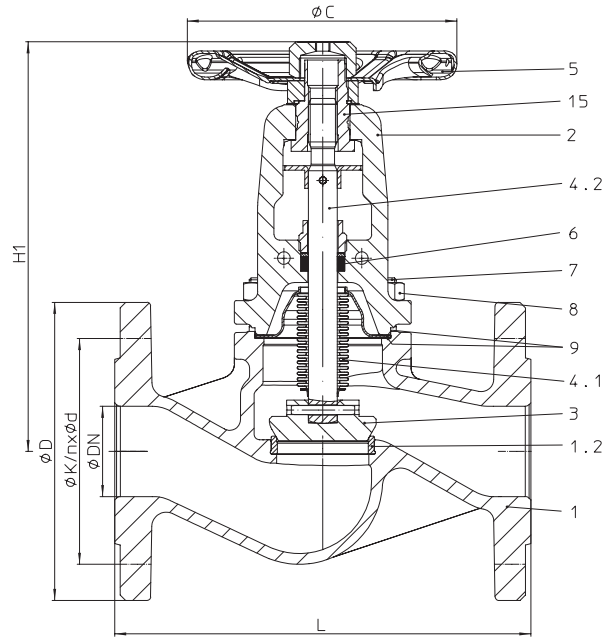
acc. to DIN EN 1092-2		-10°C to 120°C	150°C	200°C	250°C	300°C	350°C	400°C	450°C
EN-JL1040	16 bar	16	14,4	12,8	11,2	9,6	--	--	--
EN-JS1049	16 bar	16	15,5	14,7	13,9	12,8	11,2	--	--

Manufacturers standard		-10°C to 120°C	150°C	200°C	250°C	300°C	350°C	400°C	450°C
1.0619+N	40 bar	40	38,1	35	32	28	25,7	23,8	16

**Parts and material:**

Pos.	Description
1	Body
1.2	Seat ring
2	Bonnet
3	Plug
4	Spindle unit
4.1	Bellows seal
4.2	Stem
5	Handwheel
6	Packing ring
7	Hexagon bolt
8	Hexagon nut
9	Gasket
15	Insert nuts



**Dimensions:**

DN	15	20	25	32	40	50	65	80	100	125	150	200	250	300	350
L	130	150	160	180	200	230	290	310	350	400	480	600	730	850	980
H1	205	205	210	210	225	230	245	265	365	395	430	550	720	775	975
PN16	125	125	125	125	150	150	175	175	225	300	400	520	520	520	640
PN40	125	125	125	125	150	150	175	225	300	300	400	520	520	--	--
Lifting	6	6	8	8	13	13	16	20	25	32	40	50	70	80	90
KVS-value	5,3	7,2	12	16	28,5	43	75	105	170	270	405	675	1090	1460	2010
Zeta-value	2,9	4,9	4,3	6,5	5,0	5,4	5,1	5,9	5,5	5,3	4,9	5,6	5,2	6,1	5,9

PN 16	DN	15	20	25	32	42	50	65	80	100	125	150	200	250	300	350
	øD	95	105	115	140	150	165	185	200	220	250	285	340	405	460	520
	øK	65	75	85	100	110	125	145	160	180	210	240	295	355	410	470
	N x øD	4x14	4x14	4x14	4x18	4x18	4x18	4x18	8x18	8x18	8x18	8x22	12x22	12x2	12x26	16x26
Weight	3,7	4,5	5,6	6,9	8,9	11	15,3	21,1	32,4	51,6	74	147	247	404	524	

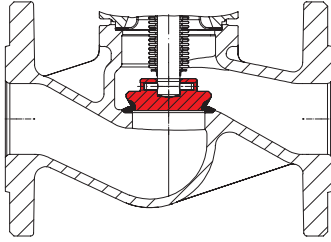
PN 40	DN	15	20	25	32	42	50	65	80	100	125	150	200	250	300	350
	øD	95	105	115	140	150	165	185	200	235	270	300	375	450	--	--
	øK	65	75	85	100	110	125	145	160	190	220	250	320	385	--	--
	N x øD	4x14	4x14	4x14	4x18	4x18	4x18	8x18	8x18	8x22	8x26	8x26	12x30	12x33	--	--
Weight	4,1	5,1	6,2	7,3	10,6	12,6	19,1	26,1	35	60,3	88	160	310	--	--	

**Differential pressure:**

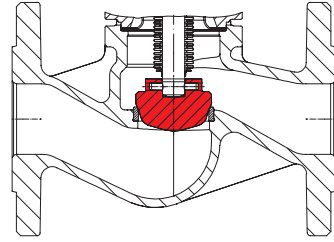
NieRuf Globe valves have to be equipped with a balancing plug if exceeding the differential pressures listed below:

DN	125	150	200	250	300	350
Differential pressure (bar)	25	21	14	9	6	4,5

**Plug:**



Isolation plug with marginal seat



Regulating plug

**Options (on request):**

- Testing acc. to EN ISO 15848-1 / TA Luft
- AV02 and AV03 with flange PN25
- Y- or angle pattern
- With butt weld ends or ANSI
- Travel limiter
- Balancing plug (from DN125)
- Limit switch
- Stem extension

**Article number:**

Type	Plug	Connection	Size
AV01 – grey cast	01 – plug with marginal seat	00 – flange	03 – DN15
AV02 – SG iron	02 – regulation plug		04 – DN20
AV03 – cast steel			05 – DN25
			06 – DN32
			07 – DN40
			08 – DN50
			09 – DN65
			10 – DN80
			11 – DN100
			12 – DN125
			13 – DN150
			14 – DN200
			15 – DN250
			16 – DN300
			17 – DN350

Type AV01: available only up to DN300.  
 Type AV03: available only up to DN250.

**Example No. AV02010008:**

**AV02** | **01** | **00** | **08**

Globe valve made of SG iron  
 Plug: plug with marginal seat  
 Connection: flange  
 Size: DN50

Image similar, subject change without notice.