

# Float valve TYPE SW05



**description:**

Float valves are used for the filling or the regulation of fluid levels of storage tanks. The fluid level can be regulated exactly through the moving of the float on the float arm.

**features:**

- suitable for drinking water, not adhesive fluids and neutral fluids
- replaceable valve seat
- high flow-rate
- DVGW authorization

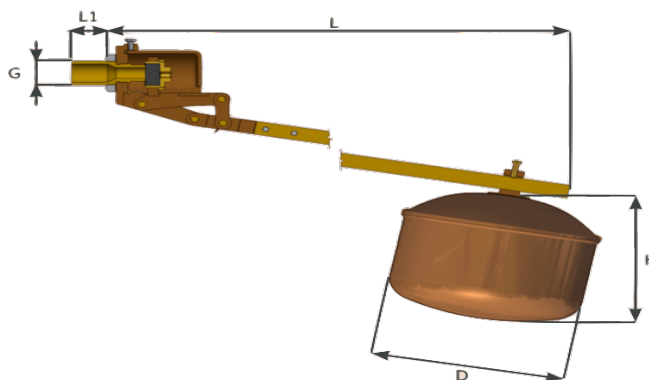
**diameter:**  
3/8" – 3"

**construction:**  
open design

**working pressure:**  
0 – 12 bar

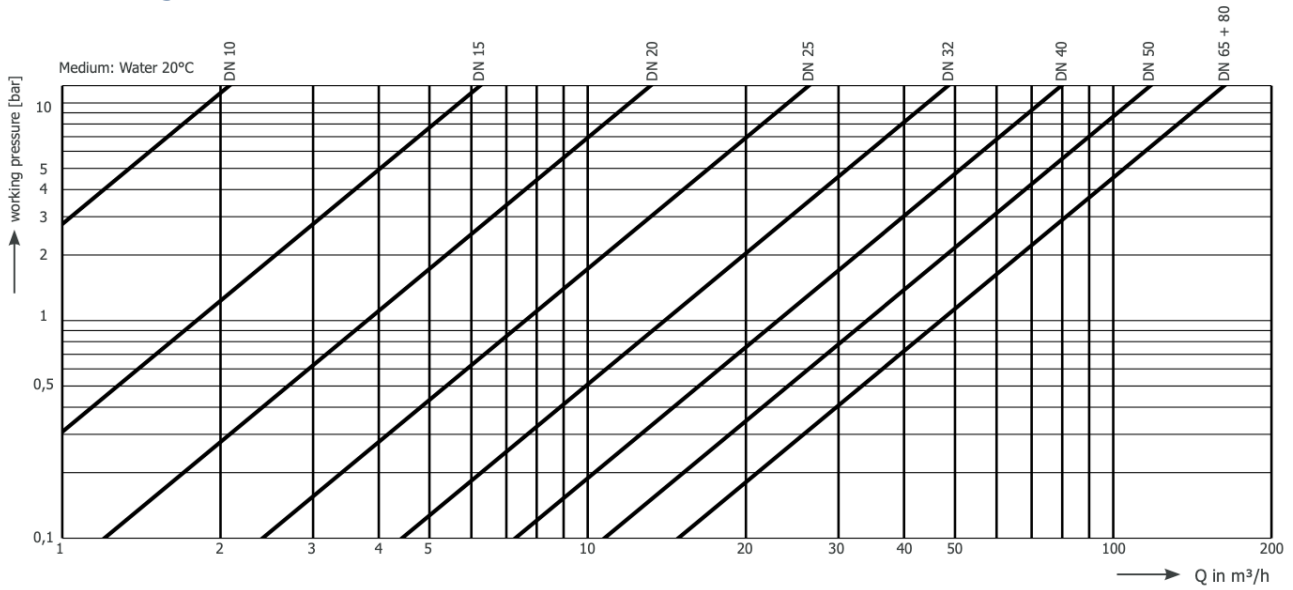
**design:** float valve with free leak downward  
**connection:** male thread ISO 228  
**body:** brass  
**seal:** EPDM  
**inner parts:** brass  
**float arm:** brass  
**cap:** brass  
**float:** copper  
**working pressure:** max. 12 bar  
**temperature:** max. 80°C

**dimensions:**



diameter	connection	L	L1	D	H	Kvs	weight	weight
DN	G in inch	mm	mm	mm	mm	m3/h	valve kg	float kg
10	3/8"	393	33	153	116	0,6	0,9	0,4
15	1/2"	524	41	153	116	1,8	1,4	0,48
20	3/4"	543	42	174	128	3,8	1,8	0,64
25	1"	618	46	209	172	7,6	2,7	0,88
32	1 1/4"	692	44	232	199	14	4,1	1,38
40	1 1/2"	750	45	257	221	23	4,9	1,64
50	2"	877	50	308	254	34	7,1	2,64
65	2 1/2"	1013	79	353	285	47	11,5	3,46
80	3"	1014	79	353	285	47	12,5	3,46

**Flow diagram:**



**article number:**

Type	Body	Float	Size
<b>SW05</b>	<b>00 – brass</b>	<b>02 - copper</b>	02 – 3/8" 03 – 1/2" <b>04 – 3/4"</b> 05 – 1" 06 – 1 1/4" 07 – 1 1/2" 08 – 2" 09 – 2 1/2" 10 – 3"

**Example no. SW05000204:**

**SW05** | **00** | **02** | **04**

Float valve SW05

body: brass  
float: copper  
size: 3/4" Zoll

Image similar, subject change without notice.