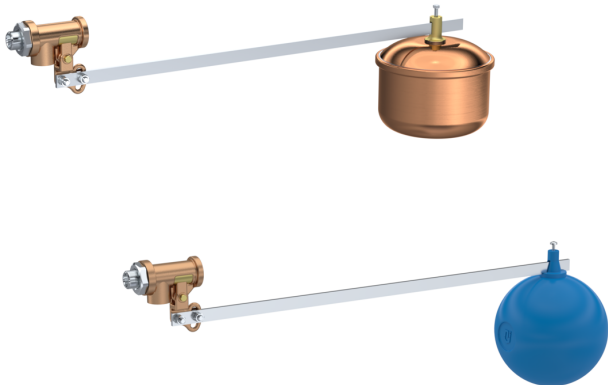


Float valve TYPE SW03



Description:

Float valves are used for the filling or the regulation of fluid levels of storage tanks. The fluid level can be regulated exactly through the moving of the float on the float arm and the variable angle of the stem.

Product features:

- Suitable for water as well as neutral and not adhesive fluids
- Replaceable nozzles and seals
- High flow-rate

Diameter:

1/2", 3/4", 1"

Construction:

Closed design

Working pressure:

0 – 12 bar

Design:

Connection:

Body:

Seal:

Inner parts:

Float arm:

Control piston:

Float:

Temperature:

Working pressure:

Float valve with control piston and connection for immersion tube

Male thread acc. to ISO 228

Gunmetal

EPDM

Brass

Stainless steel 1.4571 / AISI 316Ti

Brass

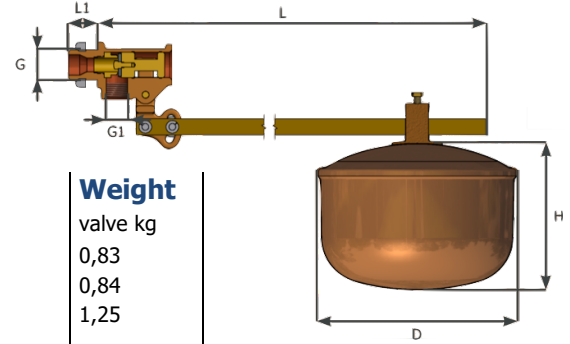
Plastic (HDPE) or copper (depending on design)

max. 80°C

max. 12 bar (size 1/2": copper-float up to 9 bar)*

*For higher pressure up to 12 bar please contact us for more information.

Dimensions:

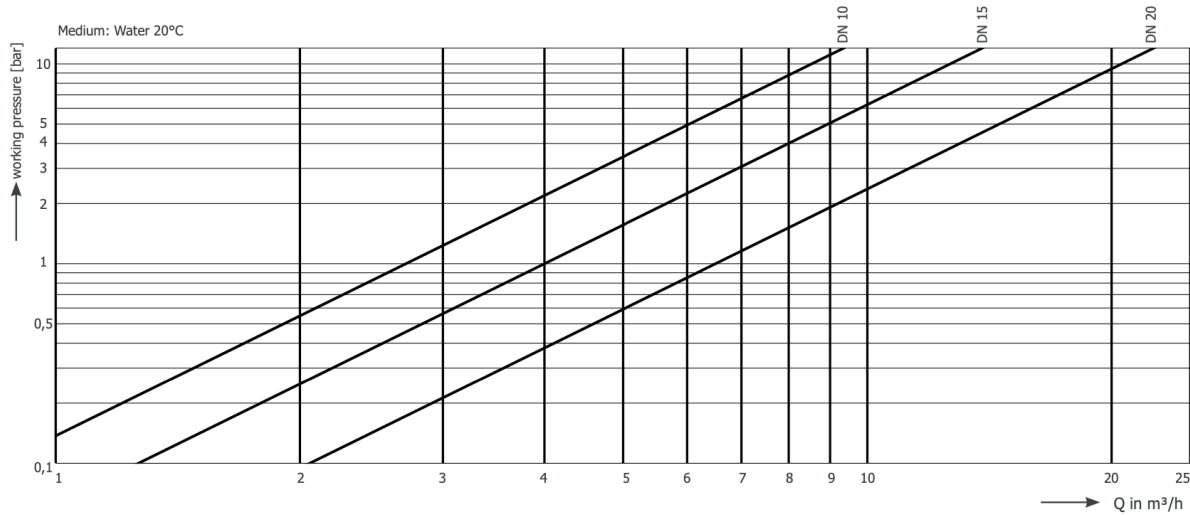


Diameter	Connection	Outlet	L	L1	Kvs	Weight
DN	G in inch	G1 in inch	mm	mm	m3/h	valve kg
15	1/2"	3/8"	604	20	2,7	0,83
20	3/4"	1/2"	604	25	4	0,84
25	1"	3/4"	723	28	6,7	1,25

Dimensions float:

DN	Diameter		Plastic (HDPE)		H	copper	
	G in inch	G1 in inch	Ø	Weight		D	Weight
15	1/2"	3/8"	150	0,17	116	153	0,48
20	3/4"	1/2"	150	0,17	128	174	0,64
25	1"	3/4"	180	0,24	172	209	0,88

Flow diagram:



Article number:

Type	Body	Float	Size
SW03	00 – gunmetal	00 – plastic (HDPE) 02 – copper*	03 – 1/2" * 04 – 3/4" 05 – 1"

Example no. SW03000204:

SW03	00	02	04
-------------	-----------	-----------	-----------

Float valve SW03
body: gunmetal
float: copper
size: 3/4"

* Max. pressure for copper-float size 1/2" is 9 bar. Please contact us for higher pressure up to 12 bar.

Image similar, subject change without notice.