

# Flanged ball valve wafer type pneumatic actuator type PK06



**Description:**

Wafer type flanged ball valve made of steel with pneumatic Actuator. Ball made of stainless steel to shut off a pipeline system.

**Features:**

- suitable for neutral and not neutral **gaseous & liquid media**
- no bridge, actuator is direct mounted (except singleacting DN125-DN150)
- Direct mounting of magnetic valves per Namur is also possible

**Connection:**

DN15, DN20, DN25, DN32, DN40, DN50, DN65, DN80, DN100, DN125, DN150

**Construction:**

Full port design

**Pressure:**

0 – 16 bar

**Design:**

Ball valve with pneumatic Actuator

**Body:**

Cast iron 1.0619

**Ball:**

Stainless steel 1.4308

**Ball sealing:**

PTFE / TFM

**Packing:**

PTFE

**Nominal diameter:**

short

**Flange connection:**

Acc. to EN 1092-1 PN16

**Temperature:**

-20°C to +180°C (depending on working pressure)

**Body actuator:**

Aluminium hard anodized

**Pinion:**

anti-corrosion steel

**Piston:**

Aluminium alloy

**Seals:**

NBR

**Temperature:**

-20°C to +80°C

**Control pressure:**

min. 6 bar up to max. 8 bar

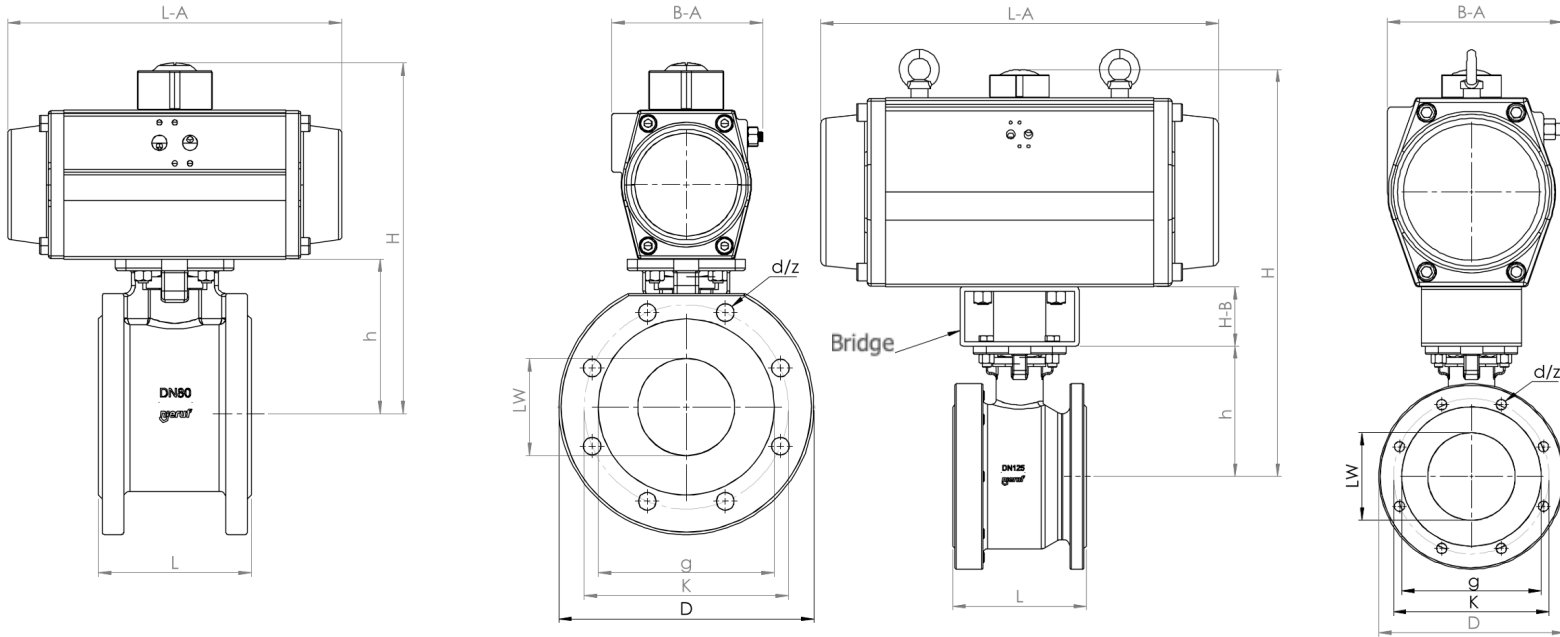
**Operating media:**

filtered air with regard to residual oil content, dust and water, at least according to DIN ISO 8573-1: 2010 [7:-:4]

**Remarks:**

- Suitable for industrial purposes
- The dimension of the device is calculated with a control pressure rate from 6 bar to 8 bar
- For non-greasing mediums (e. g. water) or/and long non-working time it might be necessary to choose a bigger actuator size. In this case please contact our technical staff

Dimensions:



Single acting DN125-DN150

type: GD = double acting

DN	PN	L	h	LW	g	K	D	d	z	H	H-B	L-A	B-A	Actuator
15	16	42	49	15	45	65	95	M12	4	135	/	114	55	GD-032
20	16	44	53,5	20	58	75	105	M12	4	150,5	/	120	75,5	GD-040
25	16	50	62	25	68	85	115	M12	4	159	/	120	75,5	GD-040
32	16	60	72	32	78	100	140	M16	4	181	/	147	74,5	GD-052
40	16	65	78	38	88	110	150	M16	4	203	/	165	83	GD-063
50	16	80	86	50	102	125	165	M16	4	211	/	165	83	GD-063
65	16	110	108	63,5	122	145	185	M16	4	254	/	208	103	GD-083
80	16	120	116	76	138	160	200	M16	8	269,5	/	262	109,5	GD-092
100	16	150	139	95	162	180	220	M16	8	309	/	270	124,5	GD-105
125	16	180	176	118	188	210	250	M16	8	410	/	454	180	GD-160
150	16	225	192	142	212	240	285	M20	8	426	/	454	180	GD-160

type: GS = single acting (spring closing)

DN	PN	L	h	LW	g	K	D	d	z	H	H-B	L-A	B-A	Actuator
15	16	42	49	15	45	65	95	M12	4	158	/	147	83	GS-052
20	16	44	53,5	20	58	75	105	M12	4	162,5	/	147	83	GS-052
25	16	50	62	25	68	85	115	M12	4	187	/	165	95	GS-063
32	16	60	72	32	78	100	140	M16	4	208,5	/	182	106	GS-075
40	16	65	78	38	88	110	150	M16	4	224	/	208	115	GS-083
50	16	80	86	50	102	125	165	M16	4	239,5	/	262	118	GS-092
65	16	110	108	63,5	122	145	185	M16	4	278	/	270	122	GS-105
80	16	120	116	76	138	160	200	M16	8	308	/	301	150	GS-125
100	16	150	139	95	162	180	220	M16	8	348	/	395	159	GS-140
*125	16	180	176	118	188	210	250	M16	8	549	70	536	236	GS-210
*150	16	225	192	142	212	240	285	M20	8	565	70	536	236	GS-210

\*Bridge is needed

## Article number:

Type	Version	Seal	Size
<b>PK06</b>	<b>00 – double acting</b>	<b>00 – PTFE</b>	03 – DN15
	01 – single acting normally closed		04 – DN20
	02 – single acting normally open		<b>05 – DN25</b>
			06 – DN32
			07 – DN40
			08 – DN50
			09 – DN65
			10 – DN80
			11 – DN100

### Example no. PK06000005:

**PK06** | **00** | **00** | **05**

Flanged ball valve wafer type with pneumatic actuator

Version: double acting

Seal: PTFE

Size: DN25

#### NOTE:

Standard for single acting actuator is closing with spring force.

Image similar, subject change without notice.