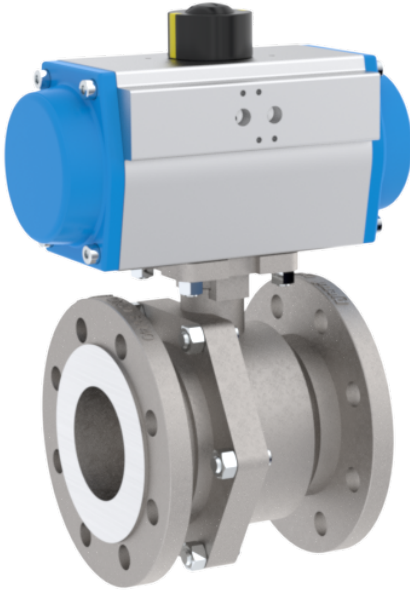


Flanged ball valve stainless steel pneumatic actuator type PK05



Description:

Flanged ball valve made of stainless steel with pneumatic actuator. Ball made of stainless steel to shut off pipeline systems.

Features:

- suitable for neutral and not neutral **gaseous & liquid media**
- DN15 and DN20 with bridge, other dimensions direct mounted
- Direct mounting of magnetic valves per Namur is also possible

Connection:

DN15, DN20, DN25, DN32, DN40, DN50, DN65, DN80, DN100, DN125, DN150

Construction:

Full port design

Pressure:

0 – 40 bar DN15-DN50
0 – 16 bar DN65-DN150

Design:

Ball valve with pneumatic actuator

Body:

Stainless steel 1.4408

Ball:

Stainless steel 1.4401

Ball sealing:

PTFE

Nominal diameter:

Acc. to EN 558-1 row 27

Flange Connection:

Acc. to EN 1092-1 PN16

Temperature:

-20°C to +180°C (depending on working pressure)

Body actuator:

Aluminium hard anodized

Shaft:

Steel nickel plated

Piston:

Aluminium

Seals:

Perbunan

Temperature:

-20°C to +80°C

Control pressure:

min. 6 bar up to max. 10 bar

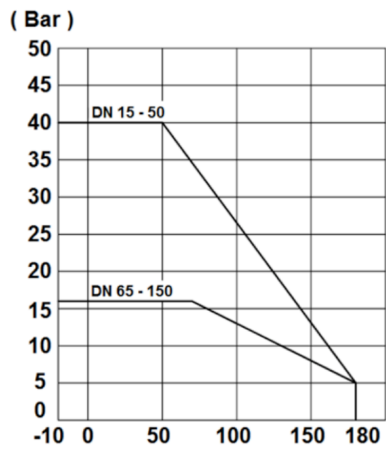
Operating media:

Filtered and oiled air acc. DIN ISO 8573-1: 2010

Remarks:

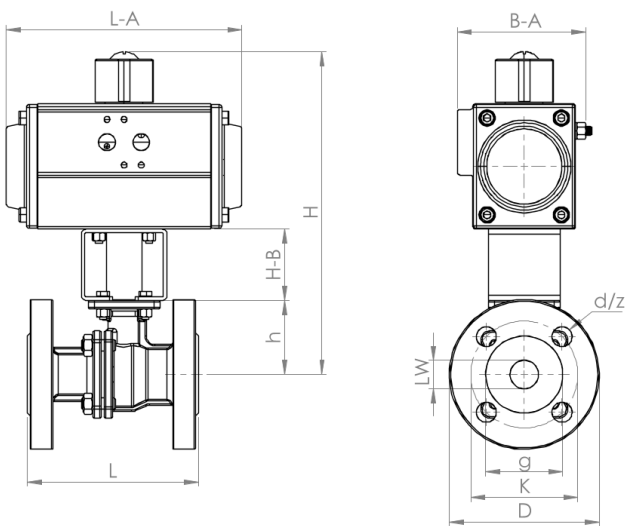
- Suitable for industrial purposes
- The dimension of the device is calculated with a control pressure rate from 6 bar to 10 bar
- For non-greasing mediums (e. g. water) or/and long non-working time it might be necessary to choose a bigger actuator size. In this case please contact our technical staff

Pressure-temperature-graph:

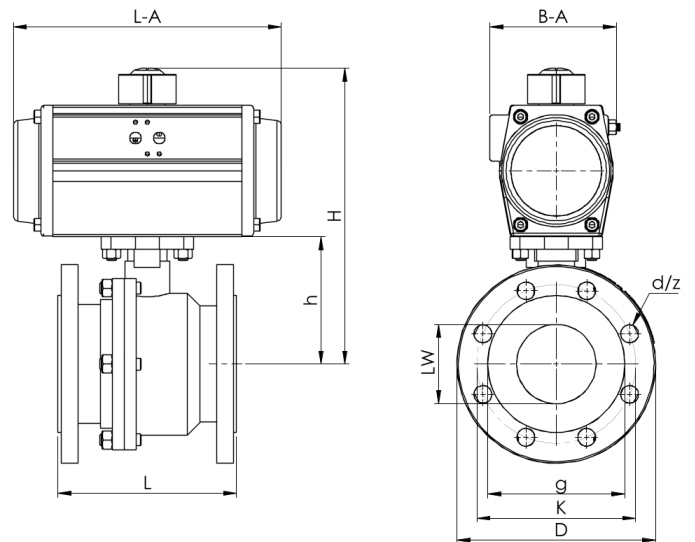


*If temperatures >80°C a bridge should be mounted!

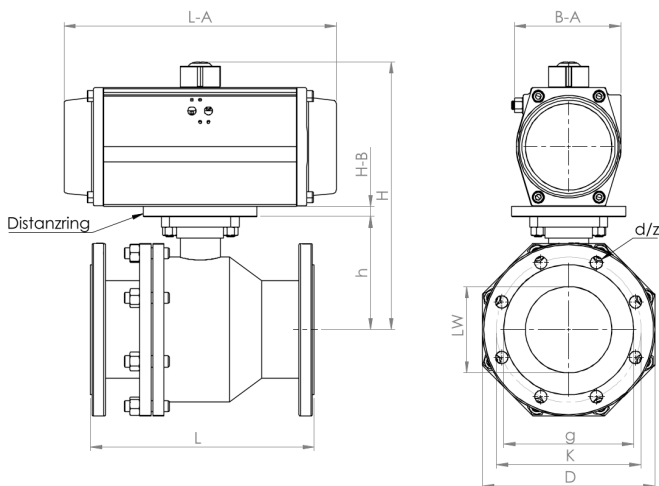
Dimensions:



DN15 – DN20



DN32-DN100



DN125-DN150

type: double-acting

DN	PN	L	h	LW	g	K	D	d	z	H	H-B	L-A	B-A	Actuator	weight
15*	40	115	46	15	45	65	95	14	4	193	50	120	75	GD-040	3,344 kg
20*	40	120	52	20	58	75	105	14	4	198	50	120	75	GD-040	4,164 kg
25	40	125	58	25	68	85	115	14	4	167	/	147	83,5	GD-052	5,114 kg
32	40	130	72	32	78	100	140	18	4	197	/	165	95	GD-063	7,768 kg
40	40	140	76	40	88	110	150	18	4	200	/	165	95	GD-063	8,85 kg
50	40	150	84	50	102	125	165	18	4	220	/	182	106	GD-075	11,95 kg
65	16	170	115	65	122	145	185	18	4	285	/	270	132	GD-105	21,39 kg
80	16	180	128	80	136	160	200	18	8	298	/	270	132	GD-105	25,79 kg
100	16	190	145	100	158	180	220	18	8	315	/	270	132	GD-105	33,59 kg
125**	16	325	164	125	188	210	250	18	8	388	15	395	159	GD-140	53,372 kg
150**	16	350	180	150	212	240	285	22	8	404	15	395	159	GD-140	65,272 kg
*	<i>bridge necessary</i>														
**	<i>distance ring necessary</i>														

type: single-acting (Standard spring-closed)

DN	PN	L	h	LW	g	K	D	d	z	H	H-B	L-A	B-A	Actuator	weight
15*	40	115	46	15	45	65	95	14	4	205	50	147	83,5	GS-052	3,874 kg
20*	40	120	52	20	58	75	105	14	4	226	50	165	95	GS-063	5,434 kg
25	40	125	58	25	68	85	115	14	4	182	/	165	95	GS-063	5,994 kg
32	40	130	72	32	78	100	140	18	4	208	/	182	106	GS-075	8,588 kg
40	40	140	76	40	88	110	150	18	4	221	/	208	115	GS-083	10,53 kg
50	40	150	84	50	102	125	165	18	4	238	/	262	118,5	GS-092	15,41 kg
65	16	170	115	65	122	145	185	18	4	285	/	270	132	GS-105	22,23 kg
80	16	180	128	80	136	160	200	18	8	321	/	301	150,5	GS-125	31,11 kg
100	16	190	145	100	158	180	220	18	8	354	/	395	159	GS-140	43,96 kg
125**	16	325	164	125	188	210	250	18	8	413	15	454	180	GS-160	67,672 kg
150**	16	350	180	150	212	240	285	22	8	430	15	454	180	GS-160	79,572 kg
*	<i>bridge necessary</i>														
**	<i>distance ring necessary</i>														

Article number:

Type	Version	Seal	Size
PK05	00 – double acting GD	00 – PTFE	03 – DN15
	01 – single acting GS normally closed		04 – DN20
	02 – single acting GS normally open		05 – DN25
			06 – DN32
			07 – DN40
			08 – DN50
			09 – DN65
			10 – DN80
			11 – DN100
			12 – DN125
			13 – DN150
			14 – DN200
			15 – DN250
			16 – DN300

Example no. PK05000005:

PK05 | **00** | **00** | **05**

Flanged ball valve with pneumatic actuator
 Version: double acting GD
 Seal: PTFE
 Size: DN25

NOTE:

Standard for single acting actuator is closing with spring force.

Image similar, subject change without notice.