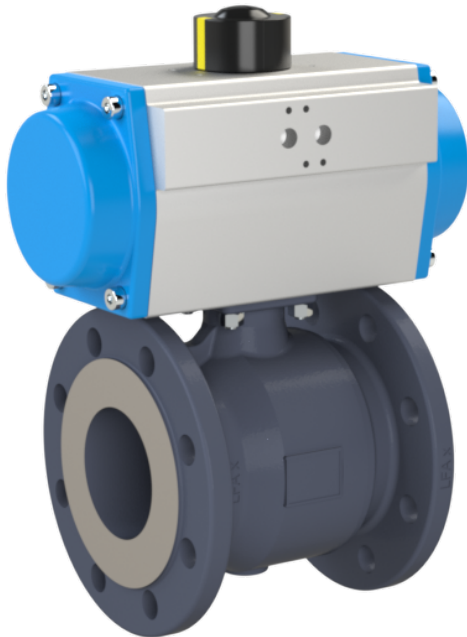


## Flanged ball valve with pneumatic actuator type PK04



### Description:

Flanged ball valve made of spheroidal graphite cast iron with pneumatic actuator. Ball made of chromed cast steel to shut off pipeline systems.

### Features:

- suitable for neutral and not neutral **gaseous & liquid media**
- Direct mounting of magnetic valves per Namur is also possible
- Direct mounting of Namurvalves possible

### Connection:

DN25, DN32, DN40, DN50, DN65, DN80, DN100, DN125, DN150

### Construction:

Full port design

### Pressure:

0 – 16 bar  
Differential pressure 7 bar

### Design:

Ball valve with pneumatic actuator

### Body:

spheroidal graphite cast iron 5.3103

### Ball:

Cast steel (chromed) 1.0503

### Ball sealing:

PTFE + GF

### Spindle seal:

FKM

### Nominal diameter:

Acc. to DIN EN 588-1 R14

### Temperature:

-20°C to +180°C (depending on working pressure)

### Body actuator:

Aluminium hard anodized

### Pinion:

anti-corrosion steel

### Piston:

Aluminium alloy

### Seals:

NBR

### Temperature:

-20°C to +80°C

### Control pressure:

min. 6 bar up to 8 bar

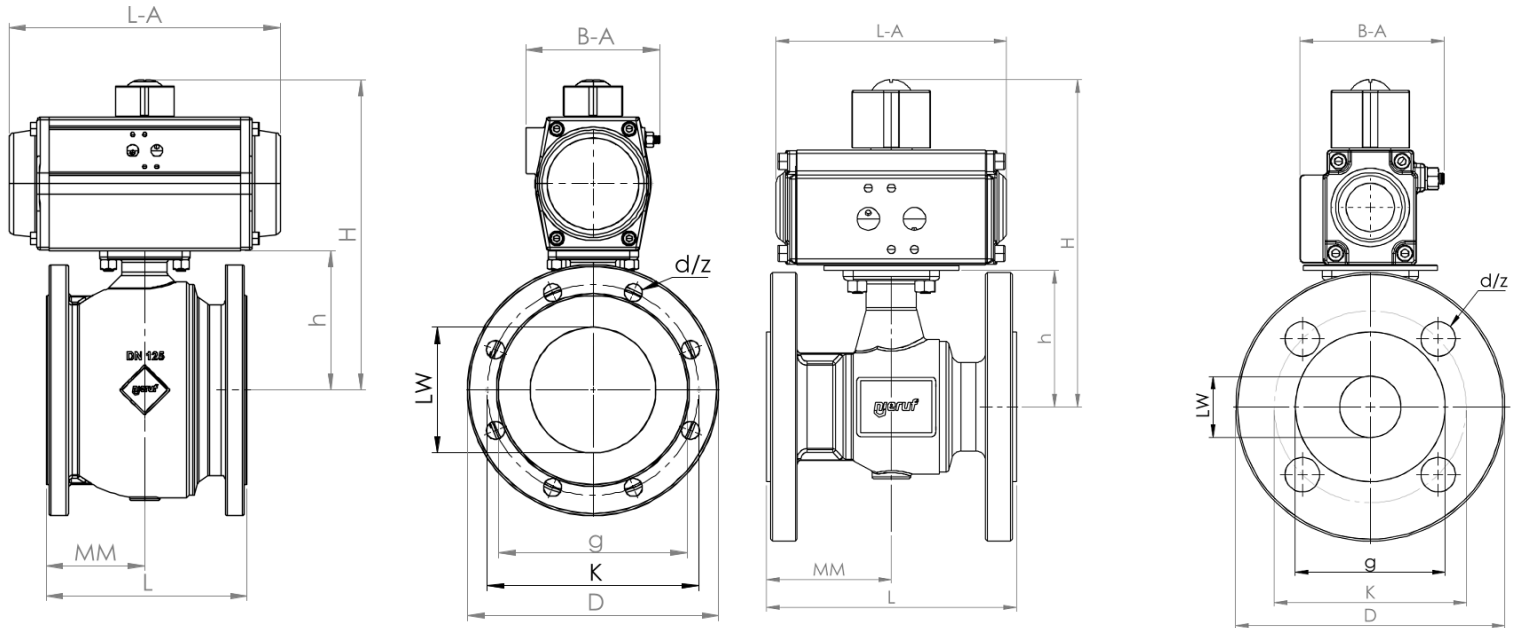
### Operating media:

filtered air with regard to residual oil content, dust and water, at least according to DIN ISO 8573-1: 2010 [7:-:4]

### Remarks:

- Suitable for industrial purposes
- The dimension of the device is calculated with a control pressure rate from 6 bar to 8 bar
- For non-greasing mediums (e. g. water) or/and long non-working time it might be necessary to choose a bigger actuator size. In this case please contact our technical staff

Dimensions:



with spacer ring

type: double acting

DN	PN	L	MM	h	LW	g	K	D	d	z	H	L-A	B-A	actuator
*25	16	125	62,5	60	25	68	85	115	14	4	160	120	60,5	GD-040
*32	16	130	65	71	32	78	100	140	18	4	171	120	60,5	GD-040
40	16	140	70	77	40	88	110	150	18	4	202	165	83	GD-063
50	16	150	75	85	50	102	125	165	18	4	210	165	83	GD-063
65	16	170	85	95	65	122	145	185	18	4	231,5	182	95	GD-075
80	16	180	90,5	103,5	80	136	160	200	18	8	273,5	270	124,5	GD-105
100	16	190	92	120	100	158	180	220	18	8	290	270	124,5	GD-105
125	16	200	98	139	125	188	210	250	18	8	309	270	124,5	GD-105
150	16	210	100	158	142	212	240	285	22	8	367	395	152	GD-140

\*spacer ring is needed

type: single acting (spring closing)

DN	PN	L	MM	h	LW	g	K	D	d	z	H	L-A	B-A	actuator
25	16	125	62,5	60	25	68	85	115	14	4	185	165	83	GS-063
32	16	130	65	71	32	78	100	140	18	4	196	165	83	GS-063
40	16	140	70	77	40	88	110	150	18	4	202	165	83	GS-063
50	16	150	75	85	50	102	125	165	18	4	221,5	182	95	GS-075
65	16	170	85	95	65	122	145	185	18	4	241	208	103	GS-083
80	16	180	90,5	103,5	80	136	160	200	18	8	273,5	270	124,5	GS-105
100	16	190	92	120	100	158	180	220	18	8	290	270	124,5	GS-105
125	16	200	98	139	125	188	210	250	18	8	331	301	142	GS-125
150	16	210	100	158	142	212	240	285	22	8	367	395	152	GS-140

## Article number:

Type	Version	Seal	Size
<b>PK04</b>	<b>00 – double acting</b> 01 – single acting normally closed 02 – single acting normally open	<b>00 – PTFE</b>	<b>05 – DN25</b> 06 – DN32 07 – DN40 08 – DN50 09 – DN65 10 – DN80 11 – DN100 12 – DN125 13 – DN150

### Example no. PK04000005:

**PK04** | **00** | **00** | **05**

Flanged ball valve with pneumatic actuator

Version: double acting GTD

Seal: PTFE

Size: DN25

#### NOTE:

Standard for single acting actuator is closing with spring force.

Image similar, subject change without notice.