

PVC-ball-valve TYPE KK04-KK05



description:

Ball valve with adhesive connection and electrical actuator in compact design. To shut off pipeline systems. Ideal for media like chlorine water, swimming pools.

features:

- Suitable for water treatment, swimming pools, pond building etc.
- Free of silicon
- Secure ball

connection:

cementing socket d16, d20, d25, d32, d40, d50, d63
thread 3/8", 1/2", 3/4", 1", 1 1/4", 1 1/2", 2"

pressure:

0 – 16 bar

connection:

Cementing socket, thread BSP

Body

PVC-U

Actuator:

Electric actuator 230V or 24V

Seal:

EPDM

Ball-seal

PTFE

Temperature

Pressure-temperature-diagram

Actuator

90-240V, 24V (ca. 1kg)

torque:

20Nm

Regulating time:

13s

power:

15W

octagonal:

14

Limit switch:

2 limit switches, 2 repeater

Power-on time:

30%

Protection-class:

IP65

Environmental temp.:

-10°C up to +55°C

Pivoting angle:

90° (mechanical stopper)

Emergency manual override

diameter:

DN	10	15	20	25	32	40	50
d	16	20	25	32	40	50	63
flange	F04	F04	F04	F04	F05	F05	F05
thread	3/8"	1/2"	3/4"	1"	1 1/4"	1 1/2"	2"
A	45	45	53,5	54	62	78	87
B	265	265	277,5	283	300	311	325,5
C	33	33	40	43	51	56	64
D	55,5	55,5	62	70	81	101	115
E	5,5	5,5	5,5	6,5	6,5	6,5	6,5
F	34	34	36	38	40	45	50
H	80	80	85,5	88	97	103	109,5
J	90	90	90	90	90	90	90
K	107	107	107	107	107	107	107
T cementing socket	16	16,5	19,5	23	26,5	31,5	38,5
Z cementing socket	51	50	59,5	60	68,5	86	98
Z thread	48	50	60	60	68	87	98
M	92	92	92	92	92	92	92

in mm

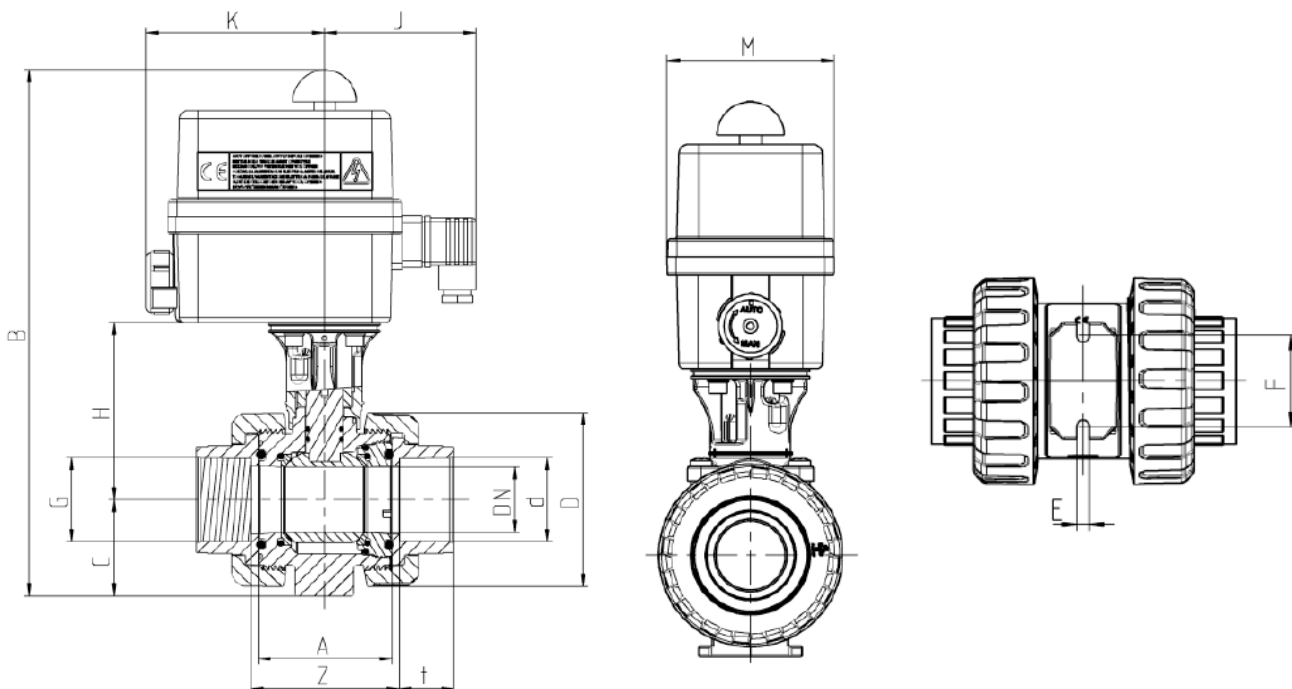
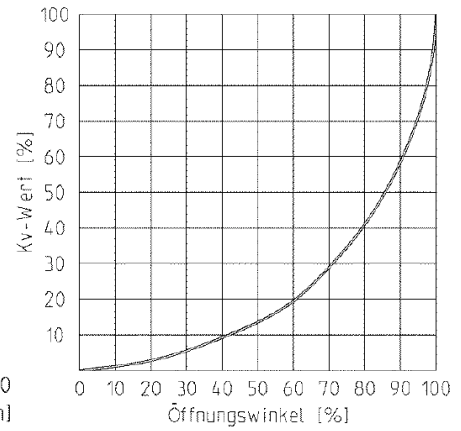
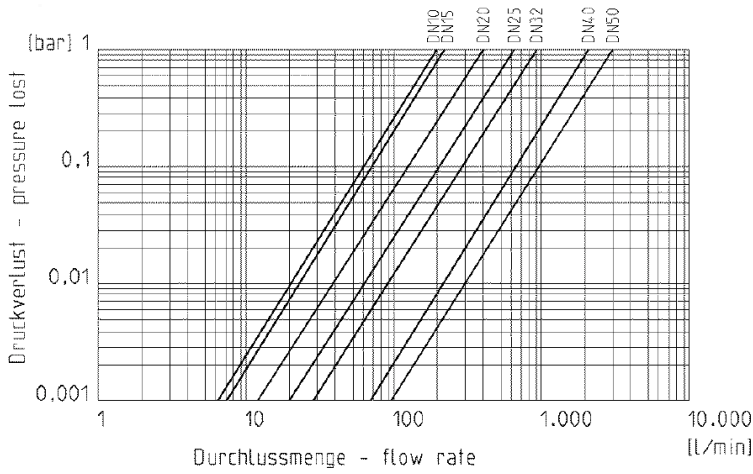
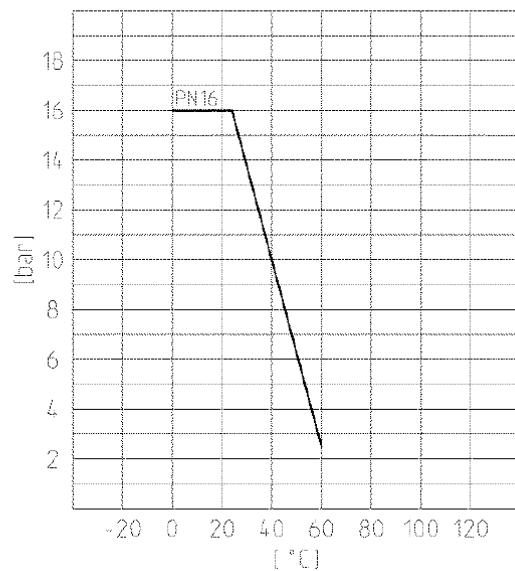
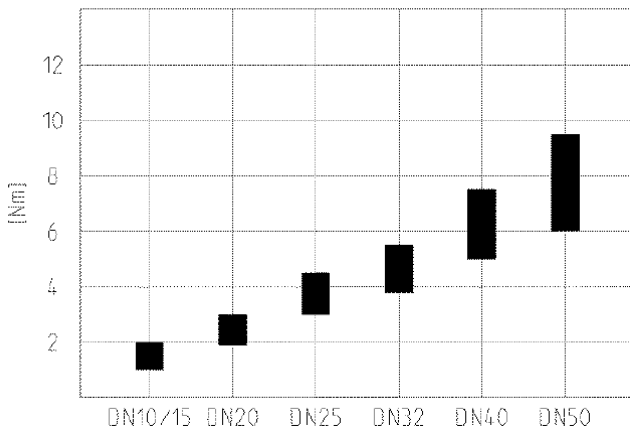


diagram:



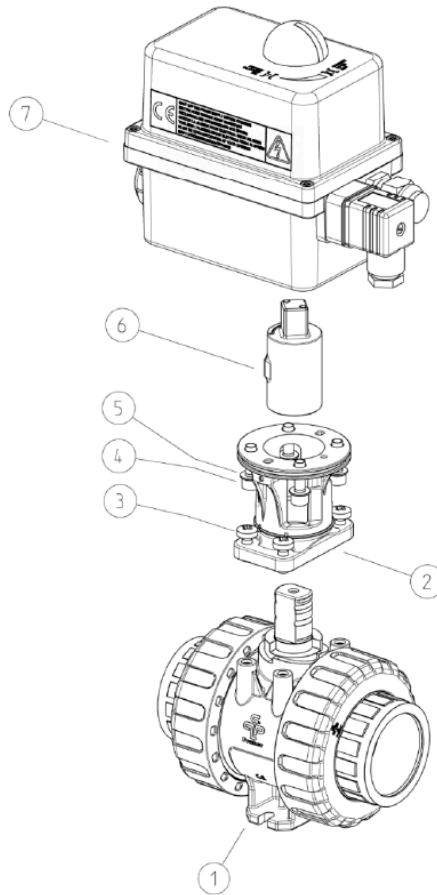
KV-value-table:

Pressure-loss	DN10	DN15	DN20	DN25	DN32	DN40	DN50
0,001 bar (l/min)	6,2	7,1	12,6	19,9	28,4	67	94,2
1 bar (l/min)	198	225	400	630	900	2120	3000



exploded assembly drawing:

1	Ball-valve
2	Console (PA-GFK)
3	Screw
4	ISK-screw
5	Screw
6	coupling-actuator (PA-GFK)
7	actuator



Article-no.:

Type	Actuator	Seal	size
KK04 – cementing socket	00 – 230 V	00 – EPDM	02 – DN10
KK05 – thread	01 – 24 V		03 – DN15
			04 – DN20
			05 – DN25
			06 – DN32
			07 – DN40
			08 – DN50

Example-no. KK04000004:

KK04	00	00	04
------	----	----	----

Ball-valve made of PVC with cementing socket and electric actuator 230 Volt
 actuator: 230V
 seal: EPDM
 size: DN25 – d32

Image similar, subject change without notice.