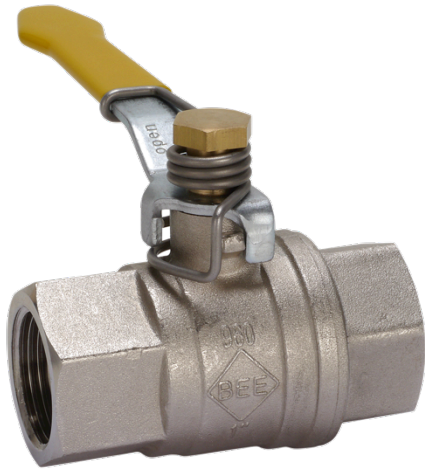


Ball valve with spring return made of brass type GK13



Description:

Ball valve made of brass with spring return. Normally the ball valve is in position closed. The actuating of the ball valve is against the spring. Closing the valve hand strength supported.

Features:

- suitable for **gaseous & liquid media**
- closing hand strength supported
- blow-out proof stem design

Connection:

1/4", 3/8", 1/2", 3/4", 1", 1 1/4", 1 1/2", 2" Inch

Construction:

with spring return

Pressure:

0 - 65 bar depending on design

Design:

Body:

Ball:

Ball seal:

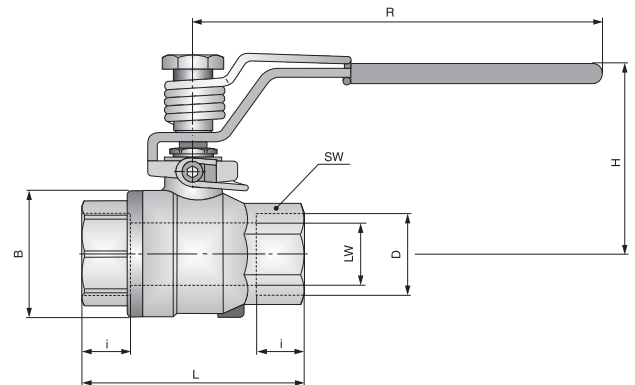
Stem packing:

Handle:

Leg spring:

Temperature:

with spring return
brass nickel plated
brass chrome plated
PTFE
viton
steel zinc
stainless steel
-20°C to +180°C



Dimensions:

DN	LW	PN	D	L	i	B	H	R	SW
6	10	65	Rp 1/4"	50	12,0	28	38	82	22
10	10	65	Rp 3/8"	60	12,5	28	38	82	22
15	15	65	Rp 1/2"	75	15,0	34	41	102	27
20	20	40	Rp 3/4"	80	17,0	42	50	122	32
25	25	40	Rp 1"	90	20,0	52,5	54	122	41
32	32	40	Rp 1 1/4"	110	24,0	65	70	158	50
40	40	40	Rp 1 1/2"	120	26,5	77,5	75	158	55
50	50	40	Rp 2"	140	29,0	91,5	84	158	70

Article number:

Type	Version	Seal	Size
GK13	00 – with spring return	00 – PTFE	02 – 3/8" 03 – 1/2" 04 – 3/4" 05 – 1" 06 – 1 1/4" 07 – 1 1/2" 08 – 2"

Example no. GK13000005:

GK13 | **00** | **00** | **05**

Thread ball valve made of brass
 Version: with spring return
 Seal: PTFE
 Size: 1"

Image similar, subject change without notice.