

Ball valve with extended stem type GK11



Description:

Ball valve, made of brass, with extended stem for to shut off insulated pipes.

Features:

- suitable for **gaseous & liquid media**
- extended stem
- high quality brass
- blow out proof stem
- for insulated pipes

Connection:

3/8", 1/2", 3/4", 1", 1 1/4", 1 1/2", 2" Inch

Construction:

Extended stem

Pressure:

0 – 40 bar

Design:

Body:

Ball:

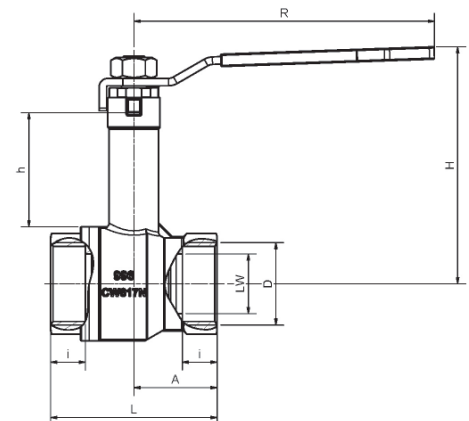
Ball seal:

Stem seal:

Handle:

Temperature:

with extended stem
 CW617N nickel plated
 CW614N chrome plated
 PTFE
 O-rings (Viton)
 Steel zinc
 -20°C to +180°C



Dimensions:

DN	LW	PN	D	L	i	A	H	h	R	SW
10	9	40	G 3/8"	39	9,5	19,5	81	45	81,5	20
15	14	40	G 1/2"	50	11	25	85	45	101,5	25
20	19	40	G 3/4"	56	11	28	88	44	101,5	31
25	24	40	G1"	67	14	33,5	95,5	45	121	38
32	30	40	G1 1/4"	77	14	38,5	111	55	121	48
40	38	40	G1 1/2"	90	16	45	125	55	158	54
50	47,2	40	G2"	106	18	53	133,5	55	158	66

Article number:

Type	Version	Seal	Size
GK11	00 – with extended stem	00 – PTFE	02 – 3/8" 03 – 1/2" 04 – 3/4" 05 – 1" 06 – 1 1/4" 07 – 1 1/2" 08 – 2"

Example no. GK11000005:

GK11 | **00** | **00** | **05**

Ball valve

Version: with extended stem

Seal: PTFE

Size: 1"

Image similar, subject change without notice.