

# Three-way ball valve brass type GK08



**Description:**

Three-way ball valve with thread connection made of brass with full port design. Chrome plated ball and PTFE ball sealing to shut off a pipeline system.

**Features:**

- full port design
- 4 ball seats
- floating ball
- blow out proof stem design

**Connection:**

1/4", 3/8", 1/2", 3/4", 1", 1 1/4", 1 1/2", 2", Inch

**Construction:**

Full port design

**Pressure:**

0 – 30 bar (to 80°C)

Type	body material	ball seal & stem seal	temperature	pressure	handle	certification
GK0800 – T-Bore	Brass (nickel-plated) CW617N	PTFE & FKM	-20°C to +150°C (depending on working pressure)	PN10/16/30	handle	Classification acc. to PED category 0 PED 2014-68-EU
GK0801 – L-Bore						

**Design:**

Full port design with T- or L-bore

**Ball:**

Brass (chrome-plated) CW614N

**Handle:**

Steel zinc coated with black plastic cover

**Media:**

liquid and gaseous media

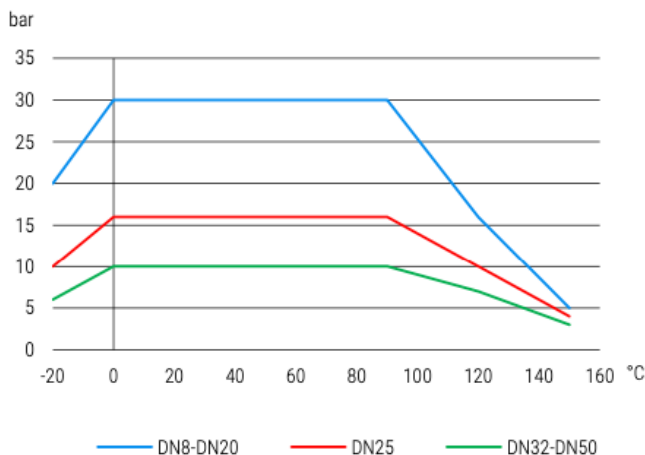
**Thread:**

acc. to DIN EN 10226-1

**Mounting pad:**

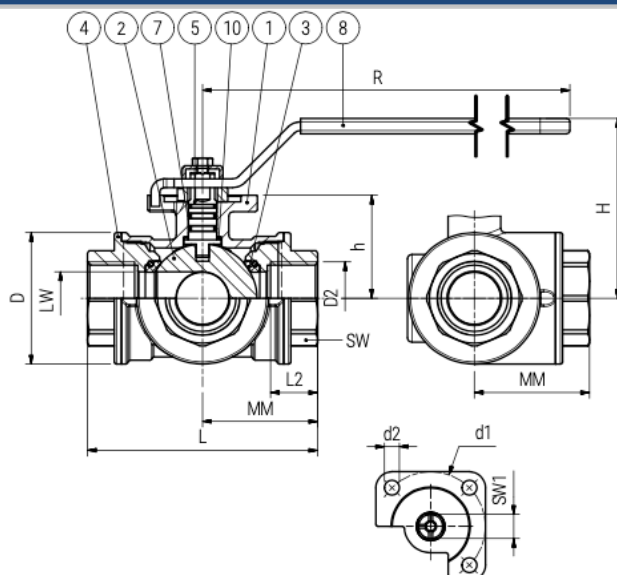
DIN ISO 5211

**Pressure-temperature-diagram:**



**Torque:**

dimension	Breakaway torque in Nm		
	PN0	PN7	PN16
8	5	7	7
10	5	7	7
15	5	7	7
20	10	12	12
25	12	14	14
32	16	16	-
40	30	30	-
50	40	40	-



**Dimensions:**

DN	D2	LW	PN	L	L2	MM	R	H	h	D	SW	SW1	Flange	d1	d2	weight
8	1/4"	11	30	67	11	33,5	120	62,5	30,5	34	22	9	F03	36	6	0,550
10	3/8"	11	30	67	11,4	33,5	120	62,5	30,5	34	22	9	F03	36	6	0,520
15	1/2"	14	30	77	15	38,5	120	63,5	32,5	39	27	9	F03	36	6	0,650
20	3/4"	19	30	87	16,3	43,5	170	75	41,5	48	32	11	F05	50	7	1,100
25	1"	24,2	16	105	19,1	52,5	170	79,5	47	60	41	11	F05	50	7	1,850
32	1 1/4"	30	10	122,5	21,4	61,25	170	93	59,5	72	50	11	F05	50	7	2,750
40	1 1/2"	38	10	138,5	21,4	69,25	230	113,5	74	86	55	14	F07	70	9	4,570
50	2"	49,5	10	166	25,7	83	230	123,5	85	111	70	14	F07	70	9	8,370

3-way-ball-valve L- and T-drilling				
T-drilling				
L-drilling				

**Article number:**

Type	Version	Seal	Size
<b>GK08</b>	<b>00 – T-bore</b>	<b>00 – PTFE</b>	01 – 1/4"
	01 – L-bore		02 – 3/8"
			03 – 1/2"
			04 – 3/4"
			<b>05 – 1"</b>
			06 – 1 1/4"
			07 – 1 1/2"
			08 – 2"

**Example no. GK08000005:**

<b>GK08</b>	<b>00</b>	<b>00</b>	<b>05</b>
Three-way ball valve made of brass			
Version:	T-bore		
Seal:	PTFE		
Size:	1"		

Image similar, subject change without notice.