

three-way flange ball valve type FK08-09



description:

3-way-flange - ball valve. Mounted ball with full port design. To shut off pipeline systems. Ideal for mechanical engineering and plant engineering.

features:

- suitable for neutral and not neutral **gaseous & liquid media**
- TÜV for TA air, PED 97/23/EG, category 3 Modul H
- antistatic
- lockable

connection:

DN15, DN20, DN25, DN32, DN40, DN50, DN65, DN80, DN100

construction:

Full port design

pressure:

PN 16 – PN 40

Type	body material	ball seal & stem seal & body seal	temperature	pressure	handle	certification
FK08	Cast steel 1.0619	PTFE TFM & FKM & PTFE	-20°C to +180°C (depending on working pressure)	PN16/40	handle	TA-Air approval acc. to VDI 2440, Classification acc. to PED category 3 PED 2014-68-EU
FK09	Stainless steel 1.4408	PTFE TFM & FKM & PTFE	-20°C to +180°C (depending on working pressure)			TA-Air approval acc. to VDI 2440, Classification acc. to PED category 3 PED 2014-68-EU , Non-corrosive cast steel acc. to DIN EN 10283

design:

flange:

mounting pad

bore:

three-way ball valve full port design

DIN EN 1092-1 seal surface B1

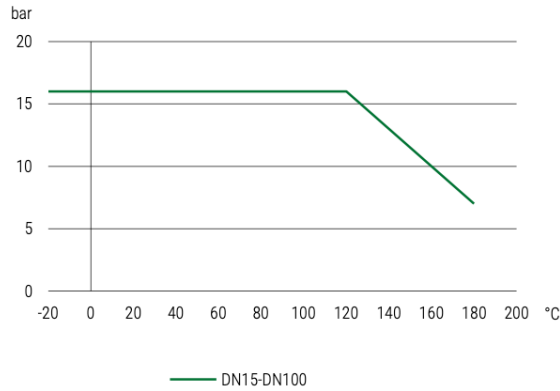
DIN ISO 5211

T-Bore or L-Bore

3-way-ball-valve L- and T-drilling				
T-drilling				
L-drilling				

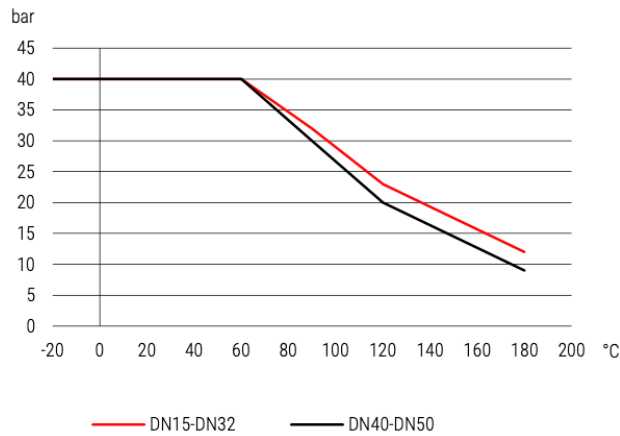
pressure-temperature diagram:

FK08 /FK09 - PN16



PN16				
dimension	torque in Nm			
DN	PN0	PN7	PN16	PN40
15	6	6	6	8
20	12	12	12	12
25	18	18	18	20
32	30	30	32	37
40	40	40	45	50
50	60	60	70	80
65	105	105	110	125
80	160	160	180	200
100	290	290	320	360

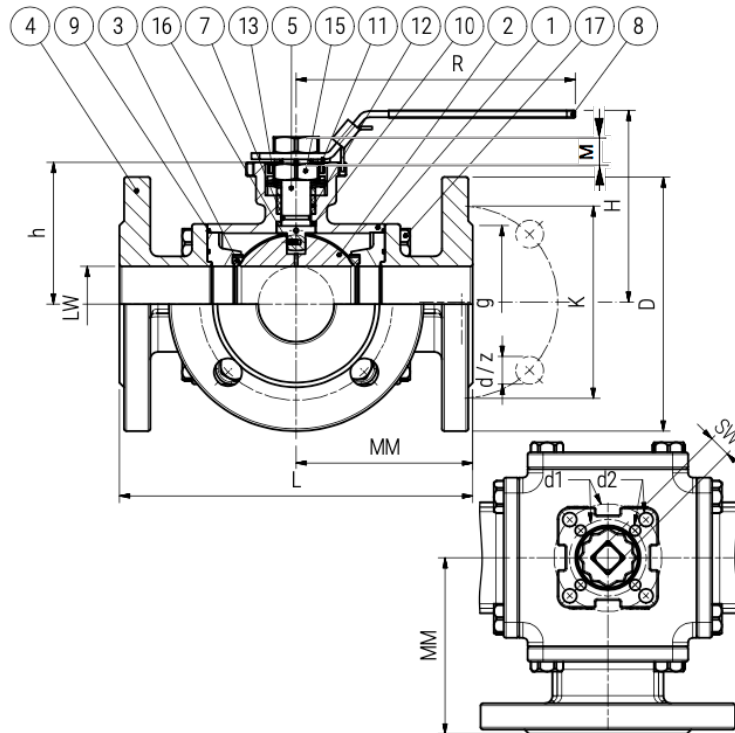
FK08 /FK09 - PN40



PN40				
dimension	torque in Nm			
DN	PN0	PN7	PN16	PN40
15	6	6	6	8
20	12	12	12	12
25	18	18	18	20
32	30	30	32	37
40	40	40	45	50
50	60	60	70	80

Materials

Nr.	Despriction	Material FK08	Material FK09
1	Body	Cast steel 1.0619	Stainless steel 1.4408
2	Ball	Stainless steel 1.4308	Stainless steel 1.4408
3	Ball seal	*see type overview	*see type overview
4	Flange / nipple	Cast steel 1.0619	Stainless steel 1.4408
5	Stem	Stainless steel 1.4301	Stainless steel 1.4401
7	Spindle seal	*see type overview	*see type overview
8	Handle	Stainless steel 1.4301	Stainless steel 1.4301
9	Body seal	*see type overview	*see type overview
10	Thrust washer	PTFE	PTFE
11	Stop pin	Stainless steel 1.4301	Stainless steel 1.4301
12	Packing	PTFE	PTFE
13	Spring plate	Spring steel 1.4310	Spring steel 1.4310
15	Packing nut	Stainless steel 1.4301	Stainless steel 1.4301
16	Spring pressure piece	Stainless steel 1.4301	Stainless steel 1.4401
17	Bolt	Stainless steel 1.4301	Stainless steel 1.4301



dimensions:

DN	LW	PN	L	MM	R	H	h	D	K	g	z	d	SW1	Flange	d1	d2	M
15	15	16/40	150	75	145	83	53	95	65	45	4	14	9	F03 / F04	36 / 42	6 / 6	9
20	20	16/40	165	82,5	145	87	57	105	75	58	4	14	9	F03 / F05	36 / 50	6 / 7	9
25	25	16/40	181	90,5	175	99	68	115	85	68	4	14	11	F04 / F05	42 / 50	6 / 7	11
32	32	16/40	190	95	175	103	72	140	100	78	4	18	11	F05 / F07	50 / 70	6 / 9	11
40	38	16/40	212	106	200	119	85	150	110	88	4	18	14	F05 / F07	50 / 70	7 / 9	14
50	49	16/40	232	116	200	126	92	165	125	102	4	18	14	F05 / F07	50 / 70	7 / 9	14
65	63	16	290	145	400	175	107	185	145	122	4	18	17	F07 / F10	70 / 102	9 / 11	17
80	75	16	310	155	400	187	119	200	160	138	8	18	17	F07 / F10	70 / 102	9 / 11	17
100	99	16	353	176,5	400	217	150	220	180	158	8	18	22	F10	102 / 102	11	22

weight	DN15	DN20	DN25	DN32	DN40	DN50	DN65	DN80	DN100
FK08 - T-Bore	4,6	6,2	8,6	11,6	15,0	19,8	34,2	46,8	70,8
FK08 - L-Bore	4,6	6,2	8,8	11,6	15,0	20,0	34,4	47,8	74,0
FK09 - T-Bore	4,6	6,2	8,6	11,6	15,0	19,8	34,2	46,8	70,8
FK09 - L-Bore	4,6	6,2	8,8	11,6	15,0	20,0	34,4	47,8	74,0

article no.:

Type	drilling		size
FK08 – cast steel	00 – T-Bore	00	03 – DN15
FK09 – stainless steel	01 – L-Bore		04 – DN20
			05 – DN25
			06 – DN32
			07 – DN40
			08 – DN50
			09 – DN65
			10 – DN80
			11 – DN100

example No. **FK08010004:**

FK08 | **01** | **00** | **04**

3-way flange ball valve made of cast steel with L-drilling DN20

Image similar, subject change without notice.