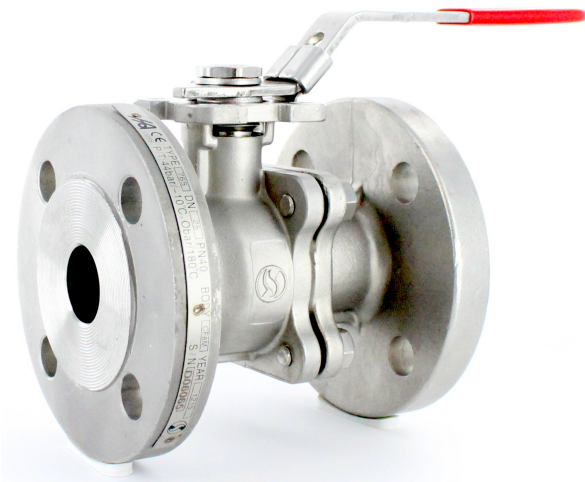


Flange ball valve stainless steel type FK06



description:

Flange - ball valve made of stainless steel to shut off pipeline systems. Ideal for machinery and plant engineering.

features:

- Suitable for neutral and not neutral **liquid and gaseous media**
- antistatic device
- covered ball seal
- blow out proof stem design
- mounting flange acc. to DIN ISO 5211
- 97/23/CE - CE 0035 Risk Cat. II Modul D1
- Design acc. to EN 12516-1

connection:

DN15 – DN150

construction:

full port design

pressure:

0 – 40 bar (depending on design)

Type	body material	ball seal	temperature	pressure	handle	certification
FK06	Stainless steel 1.4408 / ASTM A351 CF8M	PTFE	-10°C to +180°C (depending on working pressure)	PN16/40	handle	ISO 9001 : 2015, 2014/683/EU: CE N° 0035 Risk Category II module D1
FK061						

design:

two-piece ball valve full port design

ball:

stainless steel 1.4401 / F316

Ball seal:

PTFE (covered)

lever:

stainless steel with plastic cover

flange connection:

EN 1092-1 PN16 R.F. type **FK06**

ASME B16.5 ANSI 150 R.F. type **FK0601**

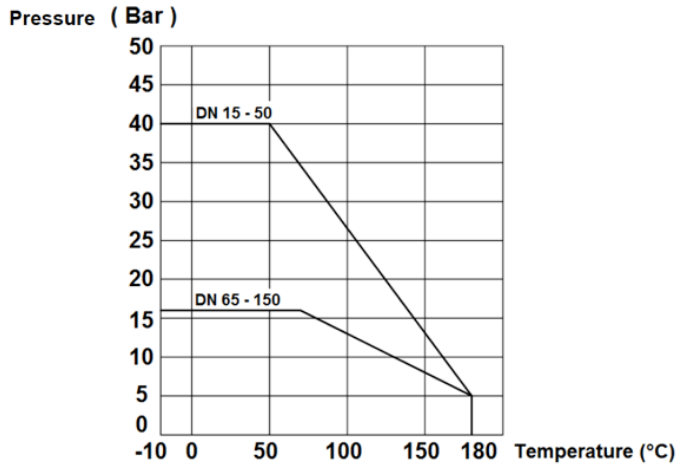
length:

DIN EN 558-1 R 27 type **FK06**

ASME B16.10 type **FK0601**

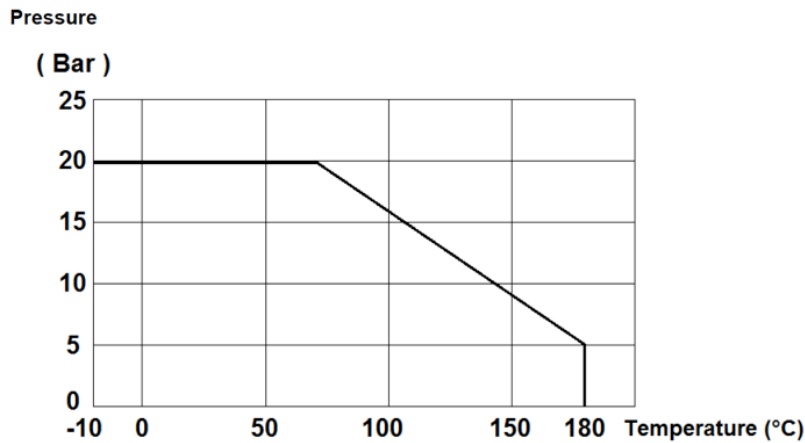
pressure-temperature diagram:

FK06



DN	torque
15	6
20	8
25	10
32	14
40	20
50	30
65	36
80	60
100	95
125	150
150	210

FK0601

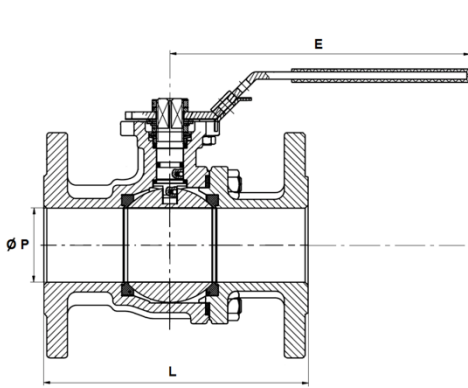


DN	NPS	torque
15	1/2"	6
20	3/4"	8
25	1"	10
32	1 1/4"	14
40	1 1/2"	20
50	2"	30
65	2 1/2"	36
80	3"	60
100	4"	95
150	6"	210

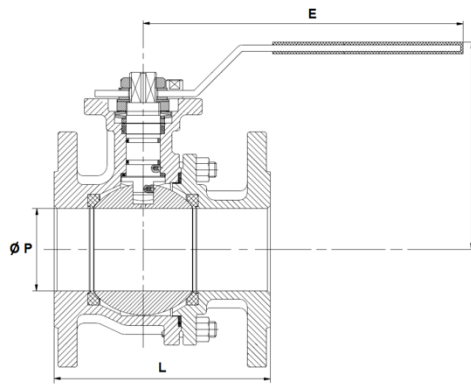
PN16/PN40

ANSI150

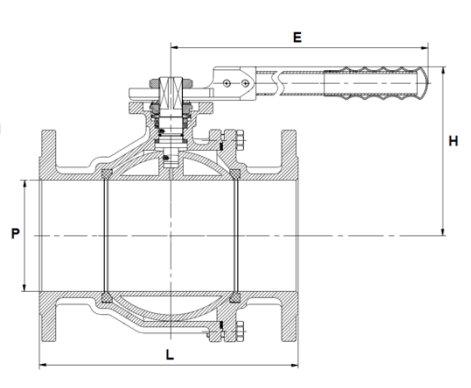
dimensions:



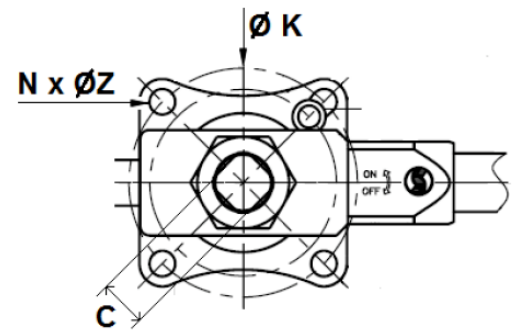
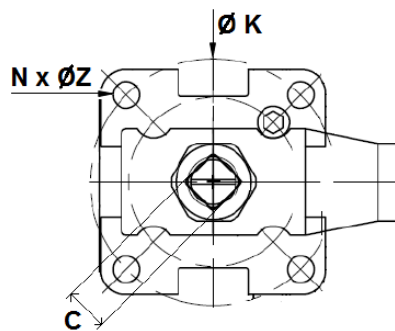
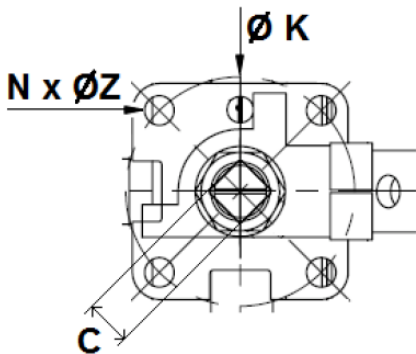
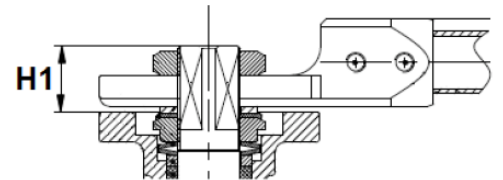
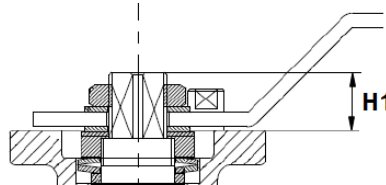
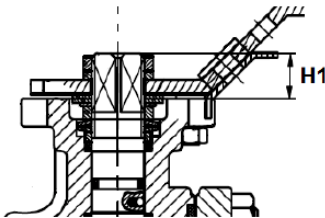
DN15-50



DN65-100



DN125-150



PN16/40

PN16/40 & ANSI150

ANSI150

DN	ØP	L	E	H	H1	PN	kg	C	ØK	ISO	N x ØZ	ØP	L	E	H	H1	PN	kg
15	15	115	161.2	82.7	11	40	2.2	9	42	F04	4x 6	15	108	111.5	75	11	20	1.58
20	20	120	161.2	83.2	10	40	3.02	9	42	F04	4x 6	20	117	137.5	82.5	9	20	1.84
25	25	125	161.2	88.2	11	40	3.79	11	50	F05	4x 7	25	127	137.5	87.5	10.5	20	2.85
32	32	130	204.5	111	16.5	40	5.74	14	50	F05	4x 7	32	140	160	107.5	14.5	20	3.65
40	40	140	204.5	112	16.5	40	6.79	14	70	F07	4x 9	40	165	205	108.5	14.5	20	6.30
50	50	150	204.5	120	16.5	40	9.33	14	70	F07	4x 9	50	178	205	116.5	14.5	20	8.15
65	65	170	325	160	21	16	15.2	17	102	F10	4x 11	65	190	323	160	21	20	12.8
80	80	180	325	170	21	16	19.6	17	102	F10	4x 11	80	203	323	170	21	20	17.0
100	100	190	325	186	21	16	27.4	17	102	F10	4x 11	100	229	323	186	21	20	29.0
125	125	325	520	211	34	16	38.9	27	125	F12	4x 14	125	--	--	--	--	20	--
150	150	350	620	228	34	16	50.8	27	125	F12	4x 14	150	394	620	228	34	20	55.8

article number:

type	flange	seal	diameter
FK06	00 – PN16/40	00 - PTFE	03 – DN15
	01 – ANSI150		04 – DN20
			05 – DN25
			06 – DN32
			07 – DN40
			08 – DN50
			09 – DN65
			10 – DN80
			11 – DN100
			12 – DN125
			13 – DN150

example no. FK06010006:

FK06	01	00	06
-------------	-----------	-----------	-----------

stainless steel ball valve type FK06

flange: ASME B16.5 ANSI 150 R.F.

seal: PTFE

diameter: DN32

Images similiar, subject change without notice.