

Flange-ball valves in stainless steel wafer design type FK03 / FK04



description:

Flange-ball valve made of stainless steel with handle in wafer design to shut off pipeline systems.

features:

- suitable for neutral and not neutral **gaseous & liquid media**
- free of silicone
- antistatic-device
- lockable
- direct mounting of actuators is possible
- TA-Luft
- blow out proof stem design
- PED CE

connection:

DN15, DN20, DN25, DN32, DN40, DN50, DN65, DN80, DN100, DN125, DN150

construction:

Full port design

pressure:

0 – 40 bar – depending on design

Type	body material	ball seal & stem seal & body seal	temperature	pressure	handle	certification
FK03	Carbon steel 1.0619	00 – PTFE TFM & FKM & PTFE	-20°C to +180°C (depending on working pressure)	PN16/40	handle	TA-Air approval acc. to VDI 2440, Classification acc. to PED category 3 PED 2014-68-EU
FK04	Stainless steel 1.4408	00 – PTFE TFM & FKM & PTFE	-20°C to +180°C (depending on working pressure)	PN16/40	handle	TA-Air approval acc. to VDI 2440, Classification acc. to PED category 3 PED 2014-68-EU , Non-corrosive cast steel acc. to DIN EN 10283

design:

Full port design

ball seal:

PTFE + TFM

flange:

EN 1092-1 (DIN 2501-1)

design:

Compact design

certification:

TA-Air approval acc. to VDI 2440

Classification acc. to **PED** category 3 PED 2014-68-EU

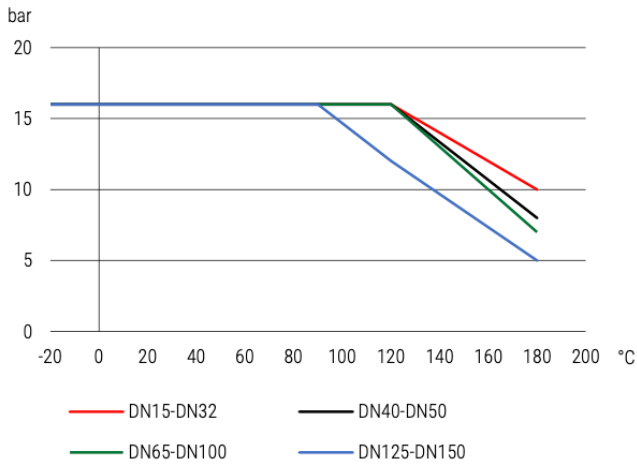
Non-corrosive cast steel acc. to DIN EN 10283 (FK04)

Pressure-temperature-diagram:

Torque:

PN16 – version

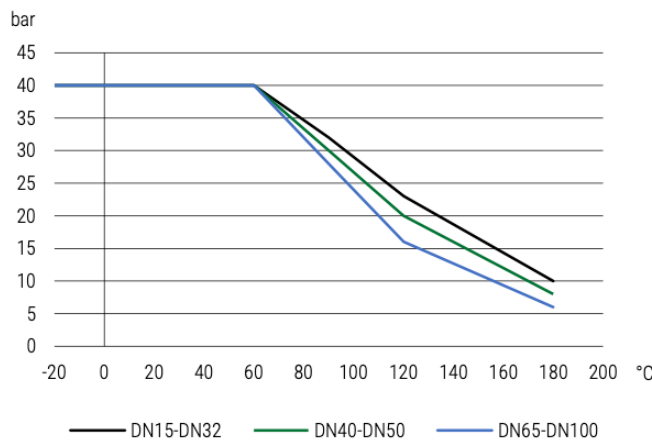
Druck-Temperatur-Diagramm pressure-temperature-diagram



FK03 – FK04			
dimension	breakaway torque in Nm		
DN	PN0	PN7	PN16
15	5	5	5
20	6	6	6
25	9	9	9
32	13	13	13
40	19	19	19
50	26	26	26
65	45	45	45
80	70	70	70
100	110	110	110
125	300	300	350
150	350	350	400

PN40 – version

Druck-Temperatur-Diagramm pressure-temperature-diagram



FK03				
dimension	breakaway torque in Nm			
DN	PN0	PN7	PN16	PN40
15	5	5	5	5
20	6	6	6	9
25	9	9	9	11
32	13	13	13	16
40	19	19	19	23
50	28	28	28	34
65	45	45	45	52
80	70	70	70	86
100	110	110	110	130

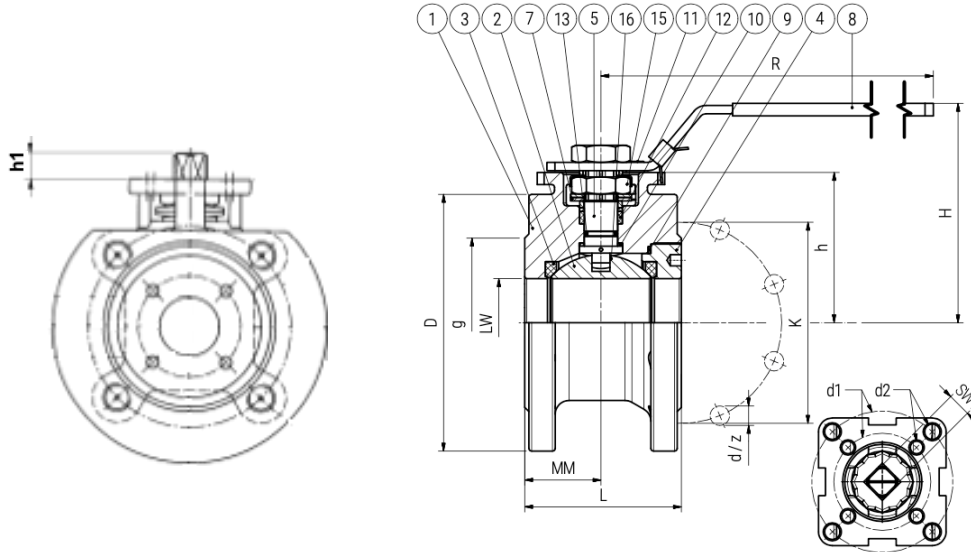
FK04				
dimension	breakaway torque in Nm			
DN	PN0	PN7	PN16	PN40
15	5	5	5	5
20	6	6	6	9
25	9	9	9	11
32	13	13	13	16
40	19	19	19	23
50	26	26	26	34
65	45	45	45	52
80	70	70	70	86
100	110	110	110	130

Materials:

Nr.	Despriction
1	Body
2	Ball
3	Ball seal
4	Flange / nipple
5	Stem
7	Spindle seal
8	Handle
9	Body seal
10	Thrust washer
11	Stop pin
12	Packing
13	Spring plate
15	Packing nut
16	Spring pressure piece

Material FK03
Cast steel 1.0619
Stainless steel 1.4308
*see type overview
Cast steel 1.0619
Stainless steel 1.4301
*see type overview
Stainless steel 1.4301
*see type overview
PTFE TFM
Stainless steel A2-70
PTFE
Pring steel 1.4310
Stainless steel A2-70
Stainless steel A2

Material FK04
Stainless steel 1.4408
Stainless steel 1.4408
*see type overview
Stainless steel 1.4408
Stainless steel 1.4401
*see type overview
Steel (zinc-plated)
*see type overview
PTFE TFM
Stainless steel A2-70
PTFE
Spring steel 1.4310
Stainless steel A2-70
Stainless steel A2



dimensions PN16:

DN	LW	PN	L	MM	R	H	h	h1	D	K	g	z	d	SW1	DIN 5211	d1	d2	weight FK03	weight FK04
15	15	16	42	21	145	77	49	9	95	65	45	4	M12	9	F03 / F04	36 / 42	6 / 6	1,326	1,322
20	20	16	44	22	145	82	53,5	9	105	75	58	4	M12	9	F03 / F04	36 / 42	6 / 6	1,720	1,722
25	25	16	50	25	175	94	62	11	115	85	68	4	M12	11	F04 / F05	42 / 50	6 / 6	2,314	2,326
32	32	16	60	30	175	104	72	11	140	100	78	4	M16	11	F04 / F05	42 / 50	6 / 7 (FK03) 6 / 6 (FK04)	3,847	3,800
40	38	16	65	32,5	196	114	78	14	150	110	88	4	M16	14	F05 / F07	50 / 70	7 / 9	4,803	4,800
50	50	16	80	40	196	120	86	14	165	125	102	4	M16	14	F05 / F07	50 / 70	7 / 9	6,570	6,617
65	63,5	16	110	56,5	265	158	108	17	185	145	122	4	M16	17	F07 / F10	70 / 102	9 / 11	10,387	9,910
80	76	16	120	60	265	165	116	17	200	160	138	8	M16	17	F07 / F10	70 / 102	9 / 11	14,196	14,240
100	95	16	150	77	400	182	139	22	220	180	162	8	M16	22	F10	102	11	22,281	22,210
125	118	16	180	90	800	224	176	27	250	210	188	8	M16	27	F12	125	14	33,500	34,000
150	142	16	225	112,5	800	268	192	27	285	240	212	8	M20	27	F12	125	14	50,600	50,000

dimensions PN40:

DN	LW	PN	L	MM	R	H	h	h1	D	K	g	z	d	SW1	DIN 5211	d1	d2	weight FK03	weight FK04
15	15	40	42	21	145	77	49	9	95	65	45	4	M12	9	F03 / F04	36 / 42	6 / 6	1,326	1,322
20	20	40	44	22	145	82	53,5	9	105	75	58	4	M12	9	F03 / F04	36 / 42	6 / 6	1,720	1,722
25	25	40	50	25	175	94	62	11	115	85	68	4	M12	11	F04 / F05	42 / 50	6 / 6	2,314	2,326
32	32	40	60	30	175	104	72	11	140	100	78	4	M16	11	F04 / F05	42 / 50	6 / 7 (FK03) 6 / 6 (FK04)	3,847	3,800
40	38	40	65	32,5	196	114	78	14	150	110	88	4	M16	14	F05 / F07	50 / 70	7 / 9	4,803	4,800
50	50	40	80	40	196	120	86	14	165	125	102	4	M16	14	F05 / F07	50 / 70	7 / 9	6,570	6,617
65	63,5	40	113	56,5	265	158	108	17	185	145	122	8	M16	17	F07 / F10	70 / 102	9 / 11	11,278	11,297
80	76	40	120	60	265	165	116	17	200	160	138	8	M16	17	F07 / F10	70 / 102	9 / 11	14,196	14,240
100	95	40	154	77	500 (FK03) 400 (FK04)	182	139	22	235	190	162	8	M20	22	F10	102	11	26,869	28,000

article number:

type	pressure	connection	diameter
FK03 – Steel	00 – PN16	00 – Flange	03 – DN15
FK04 - Stainless steel	01 – PN40*		04 – DN20
			05 – DN25
			06 – DN32
			07 – DN40
			08 – DN50
			09 – DN65
			10 – DN80
			11 – DN100
			12 – DN125
			13 – DN150

example no. FK03000007:

FK03	00	00	07
Ball valve carbon steel			
pressure: PN16			
connection: Flange			
diameter: DN 40			

* PN40 only available up to DN100.

Image similar, subject change without notice.