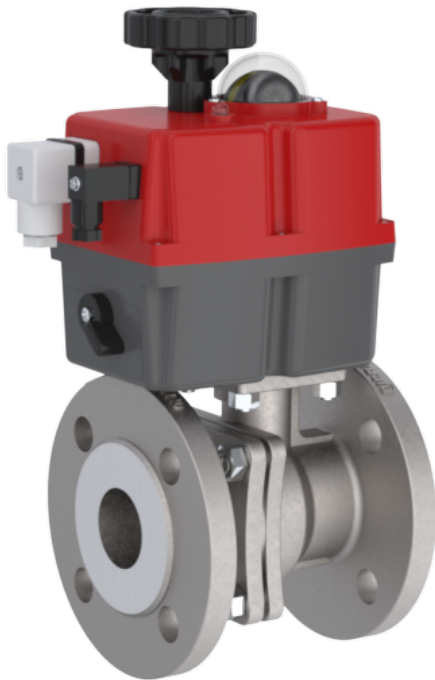


Flanged ball valve stainless steel with electrical actuator type EK05



description:

Flanged ball valve made of stainless steel with electrical actuator to shut off pipeline systems.

features:

- suitable for neutral and not neutral **gaseous & liquid media**
- ETL electronic torque limiting
- AVS automatic voltage sensing
- ATC automatic temperature control
- emergency operating
- visual position indicator
- 4 limit switches (2 for motor adjustment, 2 for response)

connection:
DN15 – DN100

construction:
Full port design

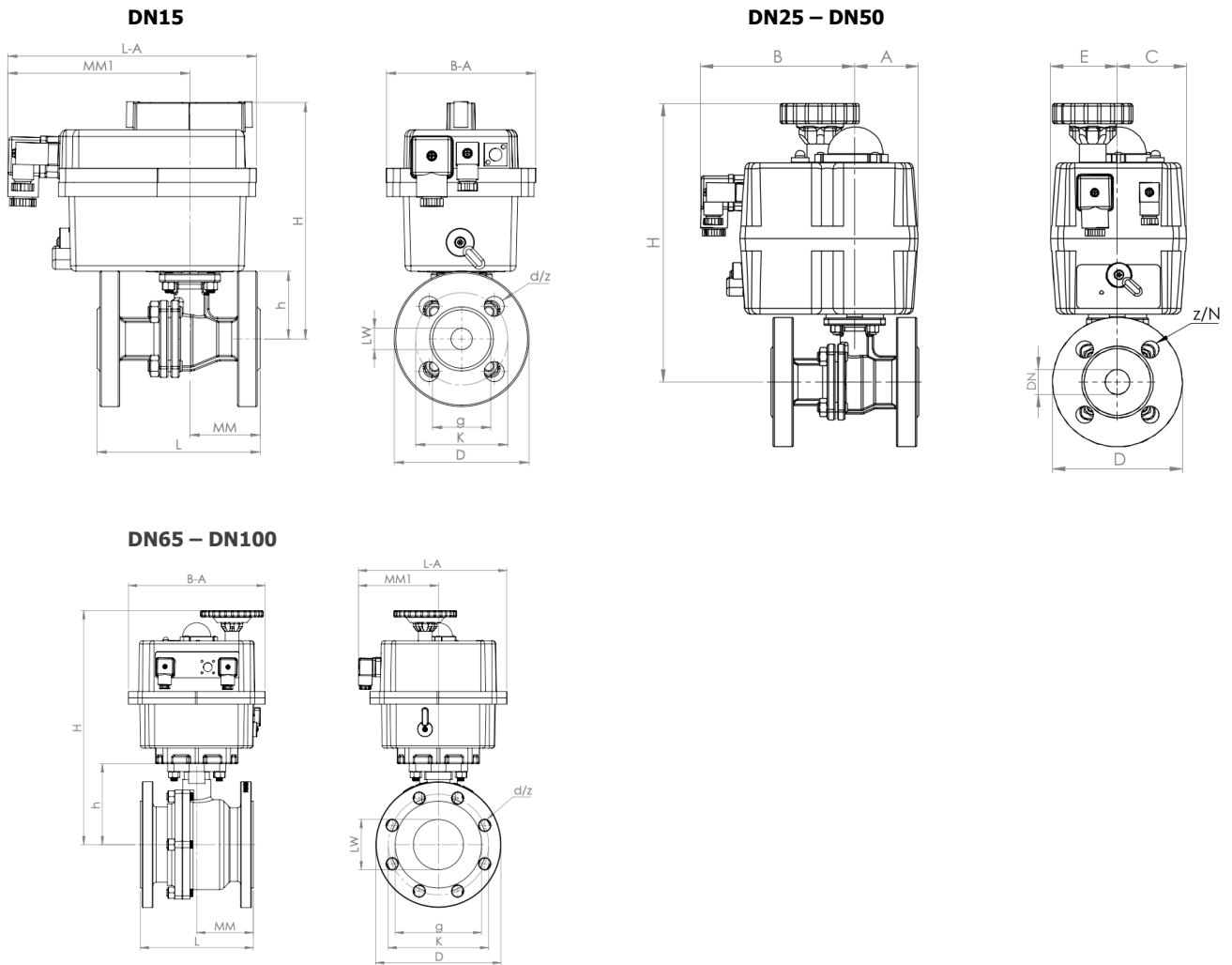
pressure:
0 – 16 bar

design: flanged ball valve with electrical actuator
body: stainless steel 1.4408
ball: stainless steel 1.4401
ball seal: PTFE (covered) + 15 % GF
stem seal: PTFE packing with plate spring suspension
nominal diameter: DIN EN 558-1
temperature: -20°C to +180°C (depending on working pressure) more than 70°C
 coupler bracket must be used

body actuator: corrosion resistant synthetic body
plug connection: external plug connection acc. to DIN 43650
temperature: -20°C to +70°C
mounting pad: acc. to ISO 5211
power supply:
Actuator L 24V AC/DC – Low Version
Actuator H 110-240V AC/DC – High Version
Actuator S 24-240V AC/DC
mounting position: mounting position free, not upside down

Other voltages and turning angles on request

subscription:



dimensions:

DN	PN	L	MM	h	LW	g	K	D	d	z	B-A	MM1	L-A	H	actuator	flange ISO5211	weight
*15	16	115	50	46	15	44	65	95	14	4	105	122	175	220	L/H 10	F04	2,75
*20	16	120	52	52	20	58	75	105	14	4	110	126	176	226	S 20	F04	4,70
25	16	125	54,5	58	25	68	85	115	14	4	110	126	176	229	S 20	F05	5,80
32	16	130	57	72	32	78	100	140	18	4	110	126	176	243	S 20	F05	7,12
40	16	140	60	76	40	88	110	150	18	4	110	126	176	247	S 35	F07	8,78
50	16	150	60	84	50	102	125	165	18	4	110	126	176	280	S 55	F07	11,50
65	16	170	69	115	65	122	145	185	18	4	218	128	236	359	S 140	F10	19,12
80	16	180	90	128	80	138	160	200	18	8	218	128	236	372	S 140	F10	22,78
100	16	190	88	145	100	158	180	220	18	8	218	128	236	389	S 300	F10	28,78

actuator	ISO Flange	octagon mm	protection class	operating factor	power supply				working torque	starting torque	time for of cycle 90° without strain
					24V AC	24V DC	110V AC/DC	230V AC/DC			
L/H10	F03/F05	14	IP65	75%	0,4A L 9,4W	0,4A L 9,4W	0,3A H 30W	0,3A H 60W	10 Nm	12 Nm	L10 = 19 sec. (+/- 10%) H10 = 16 sec. (+/- 10%)
S20	F03/F04 /F05	9/11/14	IP67	75%	1,3A 30,7W	1,0A 23,4W	0,3A 32,7W	0,2A 46,0W	20 Nm	25 Nm	9 sec. (+/- 10%)
S35	F03/F04 /F05	9/11/14	IP67	75%	1,7A 40,2W	1,4A 32,8W	0,4A 41,9W	0,2A 46,0W	35 Nm	38 Nm	9 sec. (+/- 10%)
S55	F05/F07	14/17	IP67	75%	2,0A 47,5W	1,6A 39,0W	0,4A 47,0W	0,2A 46,0W	55 Nm	60 Nm	13 sec. (+/- 10%)
S140	F07/F10	22	IP65	75%	3,3A 79,2W	2,5A 60,7W	0,7A 78,7W	0,4A 105,6W	140 Nm	170 Nm	34 sec. (+/- 10%)
S300	F07/F10	22	IP65	75%	3,3A 79,2W	2,7A 64,7W	0,8A 84,7W	0,5A 113,5W	300 Nm	350 Nm	58 sec. (+/- 10%)

article number:

type	Voltage*	seal	size
EK05	00 – 24V AC/DC 01 – 110-240V AC/DC	00 – PTFE + GF	03 – DN15 04 – DN20 05 – DN25 06 – DN32 07 – DN40 08 – DN50 09 – DN65 10 – DN80 11 – DN100

Example no. EK05010005:

EK05 | **01** | **00** | **05**

Flange ball valve made of stainless steel with electrical actuator

Voltage: 240-240V AC/DC

Seal: PTFE + GF

Size: DN25

* dimensions from DN20 and above with actuator 24-240V

Please note:

Actuator must be bigger, if used with non-greasing media (e. g. water). Please contact us for a configuration.

Image similar, subject change without notice.