

Flanged ball valve spheroidal graphite cast iron actuator type EK04



description:

Flanged ball valve in spheroidal graphite cast iron with electrical actuator. Ball made of cast steel chromed to shut off pipeline systems.

features:

- suitable for neutral and not neutral **gaseous & liquid media**
- ETL electronic torque limiting
- AVS automatic voltage sensing
- ATC automatic temperature control
- emergency operating
- visual position indicator
- 4 limit switches (2 for motor adjustment, 2 for response)

connection:

DN25 – DN150

construction:

Full port design

pressure:

0 – 16 bar

Maximum differential pressure 7 bar

design:

body:

ball:

ball seal:

Stem- & body-seal:

nominal diameter:

temperature:

flanged ball valve with electrical actuator

Spheroidal graphite cast iron 5.3103

cast steel chromed 1.0503

PTFE + GF

FKM

acc. DIN EN 558-1 R14

generally -20°C to +180°C (depending on working pressure)

(more than 70°C coupler+bracket must be used)

body actuator:

plug connection:

temperature:

mounting pad:

power supply:

mounting position:

corrosion resistant synthetic body

external acc. to DIN 43650

generally -20°C bis +70°C

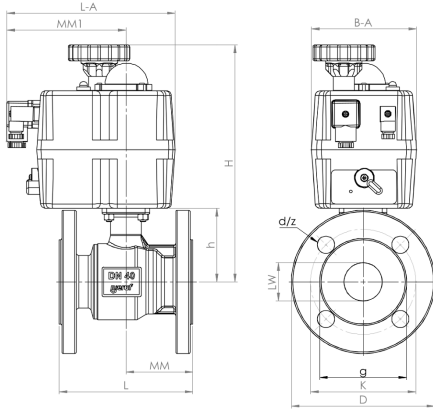
acc. to ISO 5211

Actuator S 24-240V AC/DC

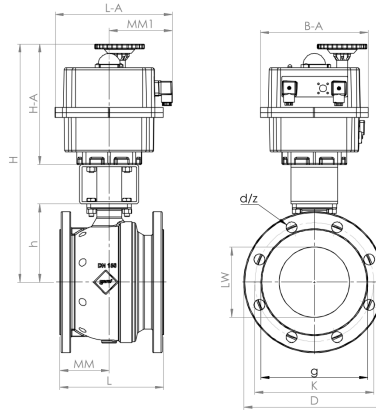
free, not upside down

dimensions:

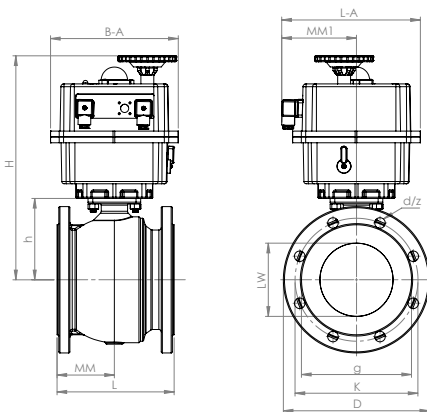
DN25 – DN65



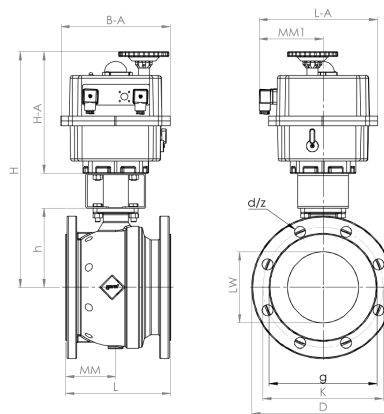
DN80 – DN100



DN125



DN150



DN	PN	L	MM	h	LW	g	K	D	d	z	B-A	H-A	MM1	L-A	H	Actuator
25	16	125	62,5	60	25	68	85	115	14	4	110	/	125	176	231	S 20
32	16	130	65	71	32	78	100	140	18	4	110	/	125	176	242	S 20
40	16	140	70	77	40	88	110	150	18	4	110	/	125	176	248	S 20
50	16	150	75	85	50	102	125	165	18	4	110	/	125	176	256	S 35
65	16	170	85	95	65	122	145	185	18	4	110	/	125	176	291	S 55
*80	16	180	90,5	103	80	138	160	200	18	8	110	196	125	176	349	S 85
*100	16	190	92	120	100	158	180	220	18	8	110	196	125	176	366	S 85
125	16	200	98	139	125	188	210	250	18	8	218	/	127	236	383	S 140
*150	16	210	100	158	142	212	240	285	22	8	218	244	127	236	472	S 140

* incl. Bridge (see drawings)

actuator	ISO Flange	octagon mm	protection class	operating factor	Power supply				Working-torque	starting-torque	Time for of cycle 90° without strain
					24V AC	24V DC	110V AC/DC	230V AC/DC			
S20	F03/F04/ F05	14	IP67	75%	1,3A / 30,7W	1,0A / 23,4W	0,3A / 32,7W	0,2A / 46,0W	20 Nm	25 Nm	10 sec. (+/- 10%)
S35	F03/F04/ F05	14	IP67	75%	1,7A / 47,5W	1,4A / 32,8W	0,4A / 41,9W	0,2A / 46,0W	35 Nm	38 Nm	10 sec. (+/- 10%)
S55	F05/F07	17	IP67	75%	2,0A / 47,5W	1,6A / 39,0W	0,4A / 47,0W	0,2A / 46,0W	55 Nm	60 Nm	13 sec. (+/- 10%)
S85	F05/F07	17	IP67	75%	1,5A / 36,0W	1,2A / 29,3W	0,3A / 36,5W	0,2A 46,0W	85 Nm	90 Nm	29 sec. (+/- 10%)
S140	F07/F10	22	IP67	75%	3,3A / 79,2W	2,5A / 60,7W	0,7A / 78,7W	0,4A / 105,6W	140 Nm	170 Nm	34 sec. (+/- 10%)

weight and actuators:

DN	Weight	actuator
25	5,80	S20
32	6,50	S20
40	7,40	S20
50	10,50	S35
65	15,06	S55
80	20,17	S85
100	27,60	S85
125	35,70	S140
150	47,30	S140

article number:

type	voltage	seal	size
EK04	00 – 24V AC/DC 01 – 240-240V AC/DC	00 – PTFE + GF	05 – DN25 06 – DN32 07 – DN40 08 – DN50 09 – DN65 10 – DN80 11 – DN100 12 – DN125 13 – DN150

example no. EK04010005:

EK04 | **01** | **00** | **05**

Flange ball valve with electrical actuator
 voltage: 24-240V AC/DC
 seal: PTFE + GF
 size: DN25

Please note:
 Actuator must be bigger, if used with non-greasing media (e. g. water). Please contact us for a configuration.

Image similar, subject change without notice.