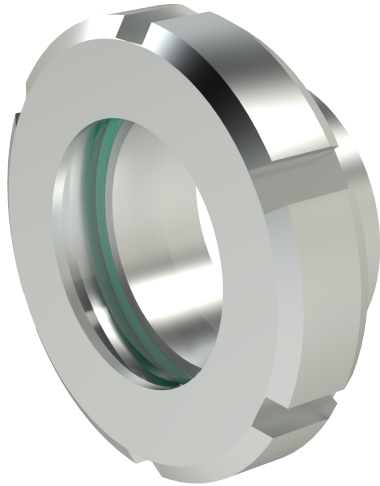


Sight-glass similar to DIN 11851 TYPE GS04



Description:

Sight flow indicators are used for optical control or observation of the interior of enclosed containers such as tanks, silos, boilers, etc.

This sight glass consists of a hard glass pane made of borosilicate glass which is screwed into a threaded socket with a welded end using a gasket and lock nut.

Product features:

- Suitable for neutral and non-neutral **liquid and gaseous media**
- With borosilicate glass
- Mounting position: any

Diameter:
DN25 to DN150

Design:
similar to DIN 11851

Pressure:
max. 10 bar

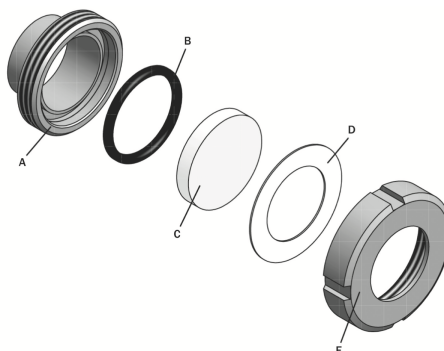
Design: for welding
Material: stainless steel 1.4404 / AISI 316L
Glass: borosilicate glass
Seal: NBR (FDA conformity)

Welding end: acc. to EN 10357
Temperature: 0°C to +100°C
Pressure: max. 10 bar

Surface:
Inside: Ra ≤ 800 µm
Outside: precision-turned

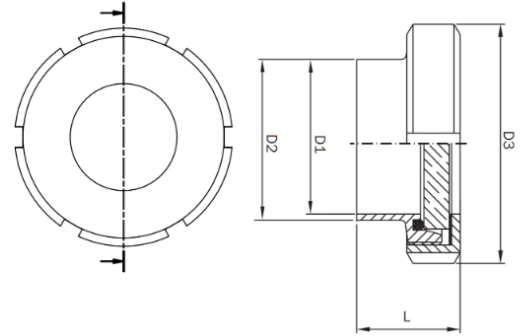
Explosion view

- A: Male
- B: Seal ring
- C: Borosilicate glass
- D: Disc
- E: Nut



Dimensions:

DN	D1	D2	D3	L	Weight kg
25	26	29	63	37	0,31
32	32	35	70	40	0,40
40	38	41	78	41	0,48
50	50	53	92	43	0,69
65	66	70	112	48	1,10
80	81	85	127	54	1,61
100	100	104	148	64	2,27
125	125	129	178	58	3,08
150	150	154	210	60	5,28



Installation instructions

When welding the male, ensure that the unit is not deforming during the welding process. This must be done by trained and authorized personnel.

Article number:

Type	Glass	Version	Size
GS04	02 – borosilicate glass	00 – NBR seal	05 – DN25 06 – DN32 07 – DN40 08 – DN50 09 – DN65 10 – DN80 11 – DN100 12 – DN125 13 – DN150

Example No. GS04020010:

GS04	02	00	10
-------------	-----------	-----------	-----------

Article no. GS04020010

Screwed sight glass

Glass: borosilicate glass

Version: NBR

Size: DN80

Image similar, subject change without notice.