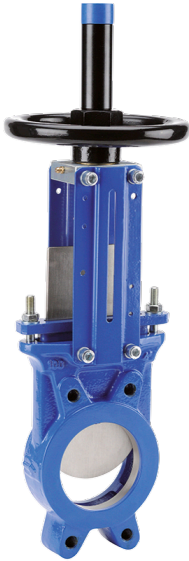


Knife gate valve TYPE SR02



Description:

Unidirectional cast iron knife gate valve for water, water treatment, chemical pulp, powders, food industry, chemistry.

Features:

- Unidirectional tightness
- Rising non rotating stem, non rising handwheel
- Optional: with chain handwheel
- Weak head loss

Connection:
DN50 – DN400

Design:
Unidirectional tightness

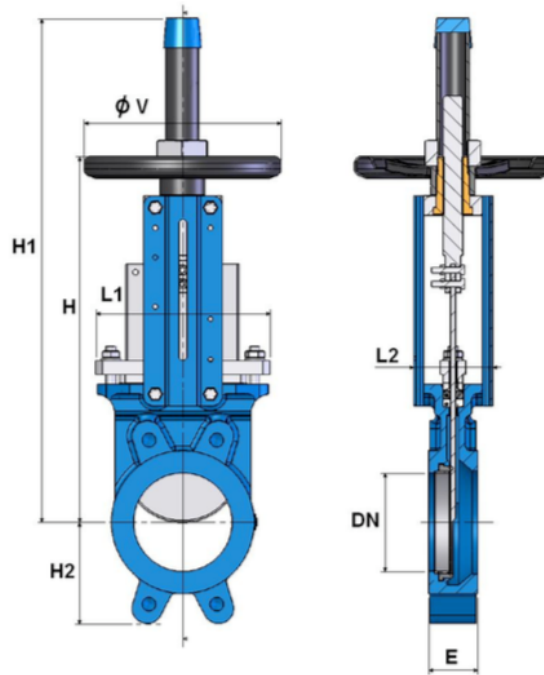
Pressure:
Up to 10,0 bar – depending on design

Design: Unidirectional tightness
Body: Cast iron EN GJL-250,
50% epoxy 50% polyester painting blue colour RAL 5005
Gate: Stainless steel AISI 304
Stem: Stainless steel AISI 304
Packing: PTFE
Seat: NBR or EPDM
Handwheel: Steel
Flange: Acc. to DIN EN 1092-1 PN10
Temperature: EPDM -15°C bis +130°C
NBR -10°C bis +90°C
ATT.: Temperature range not for all media
Mounting position: Preferably standing

Max. working pressure:

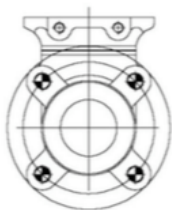
DN	50	65	80	100	125	150	200	250	300	350	400
in bar	10	10	10	10	10	10	10	8	6	4	4

Dimensions (in mm):

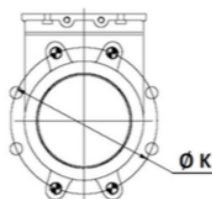


DN	50	65	80	100	125	150	200	250	300	350	400
E	40	40	50	50	50	60	60	70	70	96	100
H	289	316	342	382	415	458	575	676	776	906	1012
H1	370	410	462	502	585	637	815	1016	1116	1336	1442
H2	63	70	92	105	120	130	160	198	234	256	292
L1	124	139	154	174	170	200	250	326	360	438	493
L2	92	92	92	92	102	102	119	119	119	290	290
Ø V	200	200	200	200	250	250	300	300	300	500	500
Kg	6,53	7,1	8,53	9,8	12,7	16,16	26,8	41	50	108	132

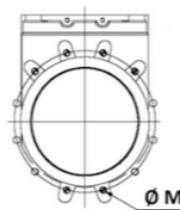
DN50-65



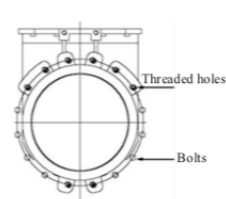
DN80-200



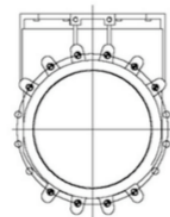
DN250-300



DN350

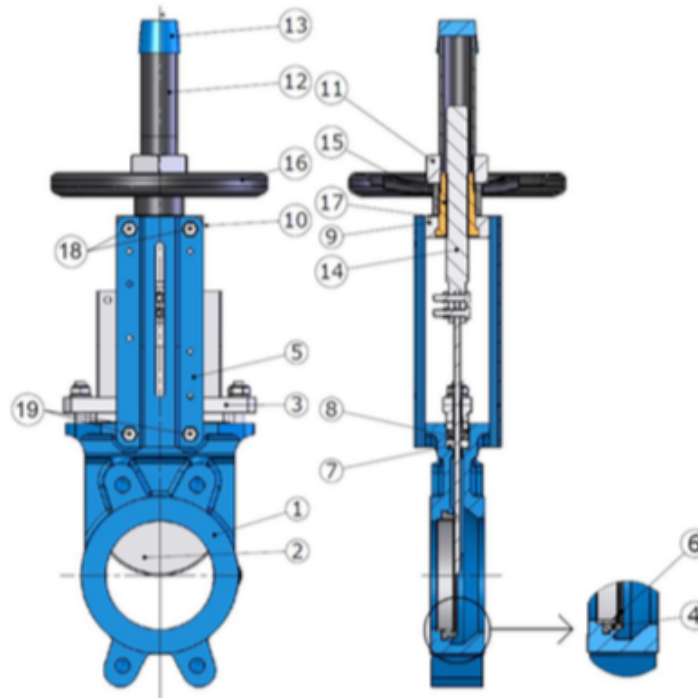


DN400



DN	50	65	80	100	125	150	200	250	300	350	400
Ø K	125	145	160	180	210	240	295	350	400	460	515
Ø M	M16	M16	M16	M16	M16	M20	M20	M20	M20	M20	M24
Nb threaded holes	4	4	4	4	4	4	4	6	6	8	10
Length for blind holes	8	8	10	10	10	12	12	15	15	19	20
Nb of bolts	0	0	4	4	4	4	4	6	6	8	6

Materials:



Pos.	Part	Materials	Pos.	Part	Materials
1	Body	Cast iron EN GJL-250	11	Fixing screw	Steel
2	Gate	Stainless steel AISI 304	12	Hood	Steel
3	Packing gland nut	Ductile iron EN GJS-400-15	13	Hood cover	Plastic
4	Seat	NBR / EPDM	14	Spindle	Stainless steel AISI 304
5	Support	Painted steel	15	Stem nut	Bronze
6	Retainer	Stainless steel AISI 304	16	Handwheel	Steel
7	Packing (Tress)	PTFE	17	Washer	Brass
8	Packing (O ring)	NBR / EPDM	18	Upper screw	Steel
9	Yoke	Steel	19	Lower screw	Steel
10	Greaser	Brass			

Flow rate in m3/h:

DN	50	65	80	100	125	150	200	250	300	350	400
Kvs	447	755	1.144	1.787	2.793	4.021	7.149	11.171	16.086	21.895	28.597

Number of cycles to close or open the valve:

DN	50	65	80	100	125	150	200	250	300	350	400
	15	18,75	22,5	27,5	33,75	40	42	52	62	60	68,3

Article number:

Type	Seat	Actuation	Size
SR02	00 – EPDM	00 – Handwheel 01 – Chain handwheel*	08 – DN50
	01 – NBR		09 – DN65 10 – DN80 11 – DN100 12 – DN125 13 – DN150 14 – DN200 15 – DN250 16 – DN300 17 – DN350 18 – DN400

Example No. SR02010011:

SR02 | **01** | **00** | **11**

Unidirectional Knife gate valve
 Seat: NBR
 Actuation: Handwheel
 Size: DN100

* Chain handwheel on request, please tell us needed chain length

Image similar, subject change without notice.