

# Knife gate valve TYPE SR01



**Description:**

Knife Gate Valve made of Cast Iron bidirectional tightness design, is particularly suitable for applications, where the flow and / or pressure direction can change within the system.

**Features:**

- Bidirectional tightness
- Non rising stem and handwheel
- Weak head loss

**Size:**  
DN50 – DN400

**Design:**  
Bidirectional tightness

**Pressure:**  
Up to 10,0 bar - depending on design

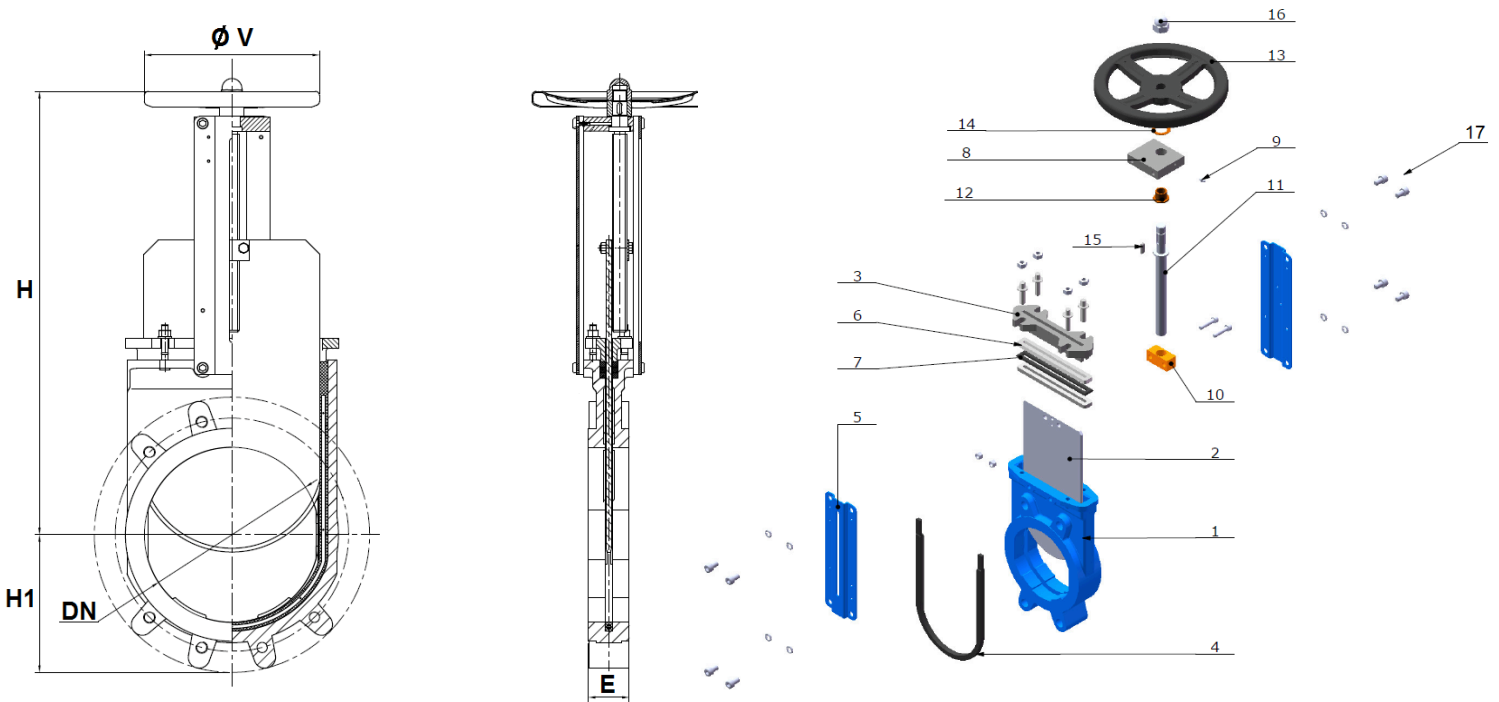
**Design:** Bidirectional tightness  
**Body:** Cast iron EN GJL-250,  
50% epoxy 50% polyester RAL 5005 min. 150 µm thickness  
**Gate:** Stainless steel AISI 304  
**Stem:** Stainless steel AISI 304  
**Packing:** PTFE  
**Seat:** NBR or EPDM  
**Handwheel:** Steel A3  
**Flange:** Acc. DIN EN 1092-2 PN10  
**Temperature:** EPDM -15°C up to +130°C  
NBR -10°C up to +90°C  
ATT: Temperature range not for all media.  
**Installation position:** preferably standing

**Max. working pressure:**

DN	50	65	80	100	125	150	200	250	300	350	400
in bar	10	10	10	10	10	10	10	8	6	4	4

Dimensions:

DN	50	65	80	100	125	150	200	250	300	350	400
E	40	40	50	50	50	60	60	70	70	96	100
H	286	316	342	382	415	458	575	676	776	906	1012
H1	63	70	92	105	120	130	160	198	234	256	292
Ø V	200	200	200	200	250	250	300	300	300	500	500
Ø K	125	145	160	180	210	240	295	350	400	460	515
Ø M	4 xM16	4 xM16	4 xM16	4 xM16	4 xM16	4 xM20	4 xM20	8 xM20	8 xM20	10xM20	10xM24
Kg	6,2	6,8	8	9,9	12,7	16,9	25,4	42,7	59	119	144



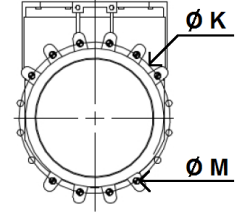
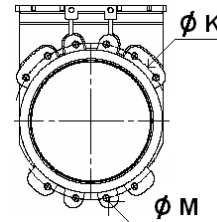
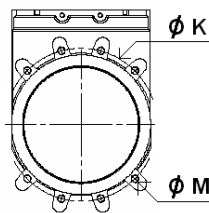
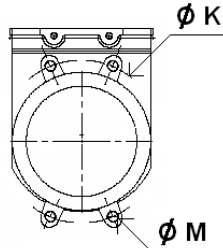
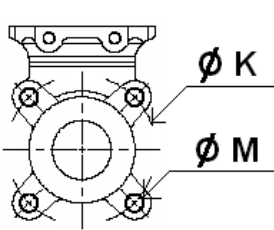
DN50-65

DN80-200

DN250-300

DN350

DN400



Item	Designation	Materials	Item	Designation	Materials
1	Body	Cast iron EN GJL-250	10	Stem nut	Bronze
2	Gate	Stainless steel AISI 304	11	Stem	Stainless steel AISI 304
3	Packing gland	Ductile Iron EN GJS-400-15	12	Stem nut	Bronze
4	Seat	NBR / EPDM	13	Handwheel	Steel A3
5	Support	Steel	14	Ring	Bronze
6	Packing (Tress)	PTFE	15	Pin	Steel
7	Packing (O-ring)	NBR / EPDM	16	Handwheel nut	Zinc-coated Steel
8	Yoke	Steel A3	17	Bolting	Zinc-coated Steel 8.8

Article number:

Type	Seat	Actuation	Size
<b>SR01</b>	00 – EPDM	<b>00 – Handwheel</b>	08 – DN50
	<b>01 – NBR</b>	01 – Chain Handwheel	09 – DN65
			10 – DN80
			<b>11 – DN100</b>
			12 – DN125
			13 – DN150
			14 – DN200
			15 – DN250
			16 – DN300
			17 – DN350
			18 – DN400

Example Nr. SR01010011:

**SR01** | **01** | **00** | **11**

Knife gate valve

Seat: NBR

Actuation: Handwheel

Size: DN100

Image similar, subject change without notice.