

Butterfly Valve Type AK05



Description:

Butterfly valves are used to control a liquid or gaseous media in a pipeline system.

Product features:

- suitable for neutral and not neutral **gaseous & liquid media**
- stainless steel disc
- long neck for isolation
- ISO 5211 mounting pad
- CE PED 2014/68/EU certified

Connection

DN32 – DN300
bigger sizes on request

Temperature

-15°C to +110°C – depending on design

Pressure

up to 16,0 bar – depending on design

Design:

Butterfly valve WAFER type

Body:

Cast iron EN GJL-250 – GG25 / epoxy coated RAL5005

Disc:

Stainless steel 1.4408 / ASTM A351 CF8M

Welle:

Stainless steel 1.4034 / AISI 420

Max. pressure difference:

16 bar

Actuator:

lever (aluminium) with 10 levels up to DN150

Gearbox (cast iron)

Seat:

EPDM -15°C to +110°C (vulcanized)

NBR -10°C to +80°C (vulcanized)

Flange:

EN 1092-1 PN10/16, starting DN40 ASME B16.5 Class 150

Length:

ISO 5752 series 20 / EN558 series 20

Directive 2014/38/EU

For liquids and gas of Group 1

DN32 – DN50:

Risk Category I; CE marking

DN65 – DN200:

Risk Category II; CE 0035 marking

DN250 – DN300:

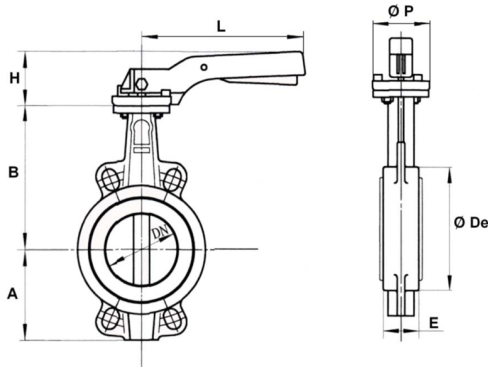
Risk Category III; CE 0035 marking

Kv-value in m³/h:

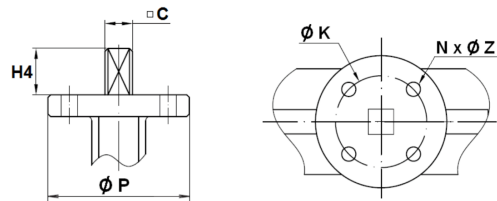
	DN	32/40	50	65	80	100	125	150	200	250	300
Opening angle	10°	0,04	0,05	0,09	0,17	0,26	0,43	0,68	1,7	2,6	3,4
	20°	2	3	5	8	15	25	38	76	129	200
	30°	5	6	10	15	31	52	81	160	273	422
	40°	10	13	21	33	67	113	175	348	592	914
	50°	18	23	38	60	119	202	312	620	1055	1630
	60°	30	38	64	99	196	334	516	1025	1746	2697
	70°	48	60	102	156	310	529	817	1623	2764	4269
	80°	72	90	152	235	466	793	1226	2434	4145	6403
	90°	78	98	167	258	512	872	1347	2675	4555	7037

Dimensions:

with lever (in mm):

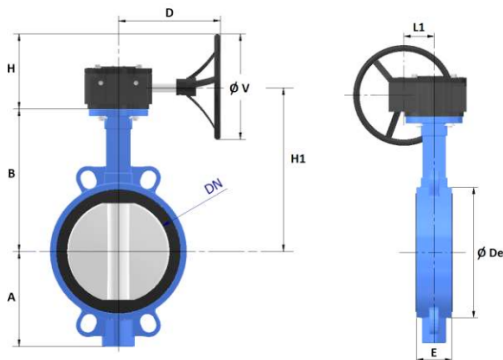


ISO mounting pad:



DN	32/40	50	65	80	100	125	150	200	250	300
A	61	77	88	95	107	122	144	171	205	235
B	130	137	142	158	180	192	215	242	280	310
De Ø	82	95	109	121	152	180	207	260	315	370
E	33	43	46	46	52	56	56	60	68	78
H	70	70	70	70	70	71	71	40	44	44
L	195	195	195	195	195	278	278	355	507	507
P Ø	65	65	65	65	65	90	90	125	150	150
C	9	9	9	9	11	14	14	17	22	27
K	50	50	50	50	50	70	70	102	125	125
ISO	F05	F05	F05	F05	F05	F07	F07	F10	F12	F12
Nx Z	4x7	4x7	4x7	4x7	4x7	4x9	4x9	4x11	4x13	4x13
H4	32	32	32	32	32	42	42	36	38	38
P	65	65	65	65	65	90	90	125	150	150
Weight (kg)	1,85	2,53	2,86	3,16	4,21	6,67	7,66	14,67	23,4	33,8

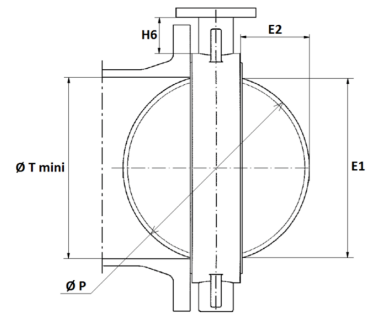
with gearbox (in mm):



DN	32/40	50	65	80	100	125	150	200	250	300
A	61	77	88	95	107	122	144	171	205	235
B	130	137	142	158	180	192	215	242	280	310
D	162	162	162	162	162	162	162	224	224	223
Ø De	82	95	109	121	152	180	207	260	315	370
E	33	43	46	46	52	56	56	60	68	78
H	112	112	112	112	112	162	162	191	191	192
L1	44	44	44	44	44	44	44	66	66	77
Ø V	150	150	150	150	150	250	250	300	300	300
Weight (kg)	5,36	6,04	6,37	6,67	8,43	10,2	11,19	21,66	30,82	43,4

Disc and neck (in mm):

DN	32/40	50	65	80	100	125	150	200	250	300
E1	37,7	47,06	59,81	75,56	98,37	117,02	147,65	195,3	242,5	292,6
E2	4,9	5	9,4	16,5	26,1	33,9	49,7	71,2	91,2	111,8
H6 +/-2	76,7	79	79	87,5	92,3	90,3	99,2	99,5	103,8	105,8
Ø P	42,8	53	64,8	79,1	104,25	123,8	155,4	202,4	250,5	301,6
Ø T mini	43	53	65	79,5	104,5	124	155,5	202,5	250,5	302



Torque value (Nm):

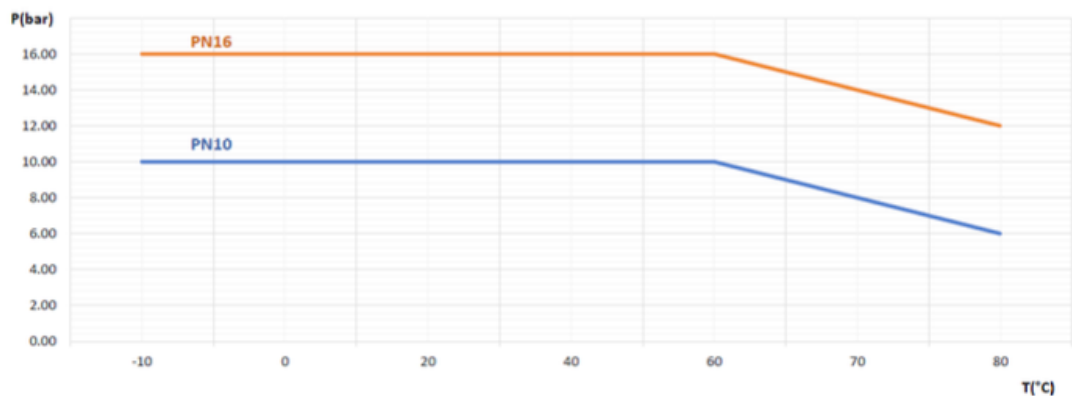
DN	32/40	50	65	80	100	125	150	200	250	300
PN10	9	12	19	25	38	58	85	159	253	369
PN16	10	13	21	26	42	65	95	175	277	536

We recommend a safety coefficient of 30% minimum.

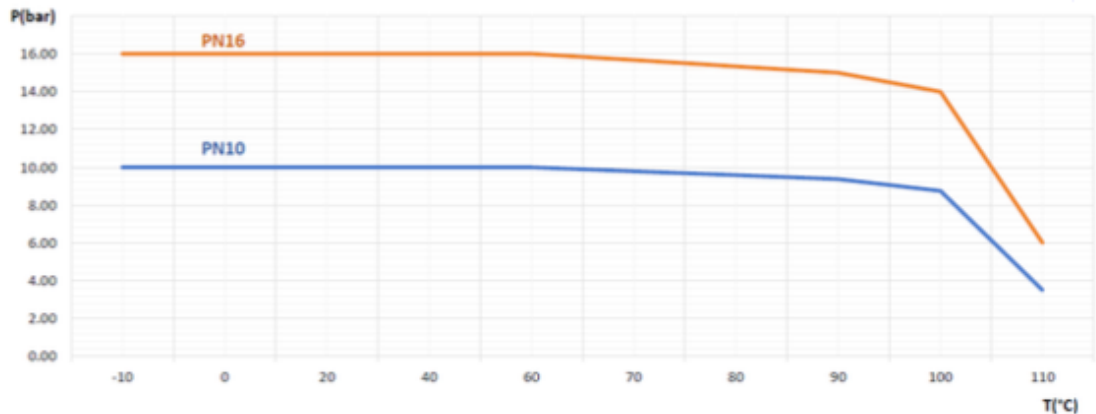
The butterfly valve type AK05 is not suitable for actuator mounting. If electrical or pneumatic operation is to be carried out by means of an actuator, we strongly recommend the AK01 / AK02 series.

Pressure-temperature-graph (steam excluded):

NBR:

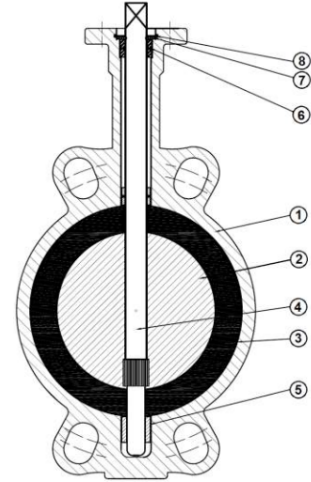


EPDM:



Parts and material:

Pos.	Part	Material
1	Body	Cast iron EN GJL-250
2	Disc	Stainless steel 1.4408 / A351 CF8M
3	Seat	EPDM or NBR – depending on design
4	Stem	Stainless steel 1.4034 / AISI 420
5	Bushing	PTFE
6	O Ring	EPDM or NBR – depending on design
7	Circlip	Steel
8	Circlip	Steel
	Lever	Aluminium
	Gearbox	Cast iron EN GJL-250



Article number:

Type	Flange	Seal	Actuation	Size
AK05	1 – PN10/PN16/ANSI150	0 – EPDM 1 – NBR	00 – Lever 01 – Gearbox	06 – DN32 07 – DN40 08 – DN50 09 – DN65 10 – DN80 11 – DN100 12 – DN125 13 – DN150 14 – DN200 15 – DN250 16 – DN300

Example No. AK05100015:

AK05	1	0	00	15
------	---	---	----	----

Article No. AK05100015
 Butterfly valve WAFER type
 Flange: PN10/PN16 ANSI150
 Seal: EPDM
 Actuation: Lever
 Size: DN250

Image similar, subject change without notice.