

Butterfly Valve Type AK03 / AK04



description:

Butterfly valve to control a liquid or gaseous media in a pipeline system.

features:

- suitable for neutral and not neutral **gaseous & liquid media**
- Maintenance free
- Soft sealing
- Disc made of stainless steel
- EnEV
- Central disc bearing
- Good flow characteristic due to excellent Zeta-values
- Position of installation can be chosen freely, DN350-600 shaft preferably in horizontal position

connection:

DN25, DN32, DN40, DN50, DN65, DN80, DN100, DN125, DN150, DN100, DN250, DN300, DN350, DN400, DN500

temperature

-10°C up to +150°C – depending on design

pressure:

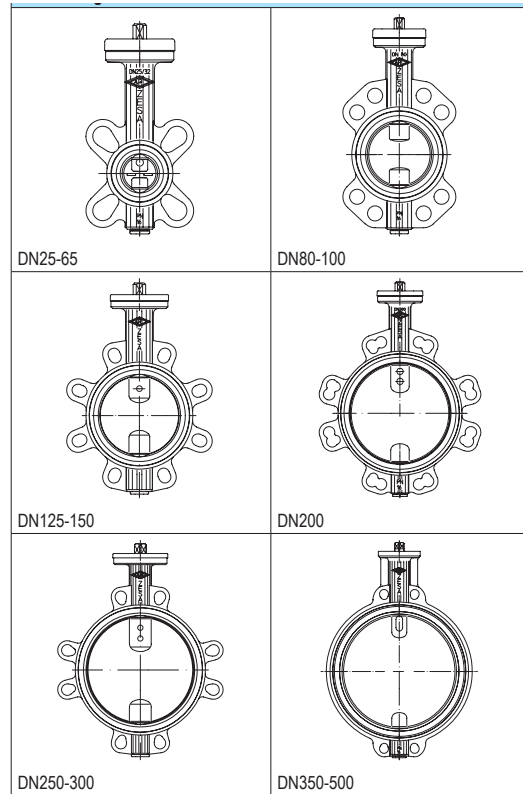
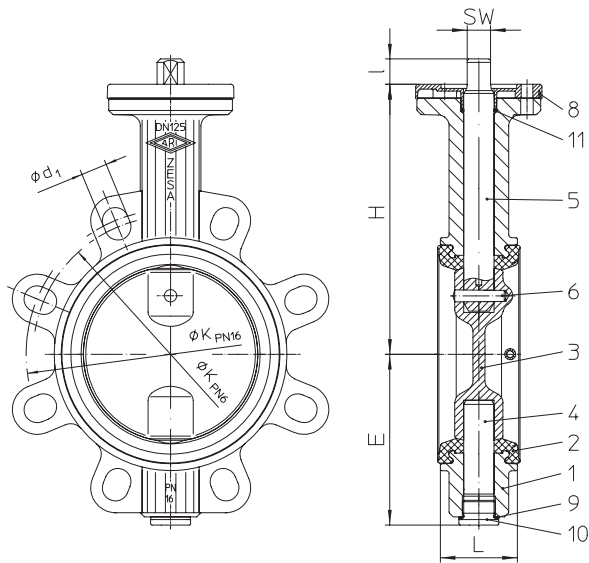
up to 16,0 bar– depending on design

Type AK03 Wafer type:

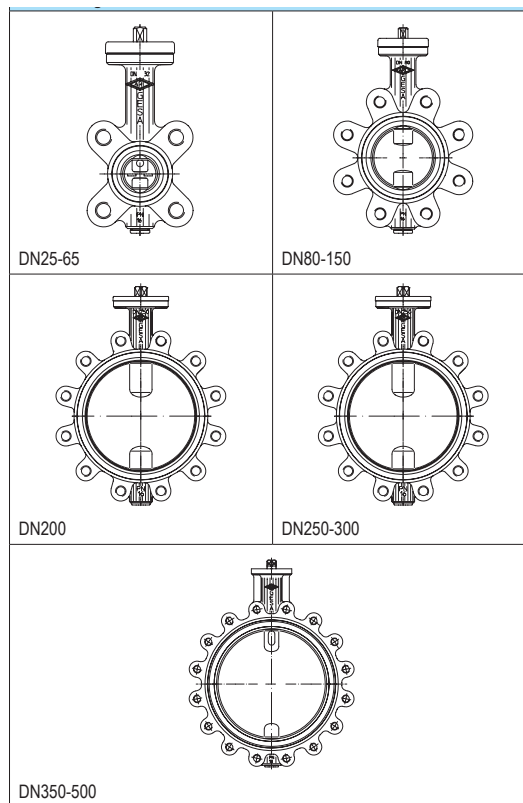
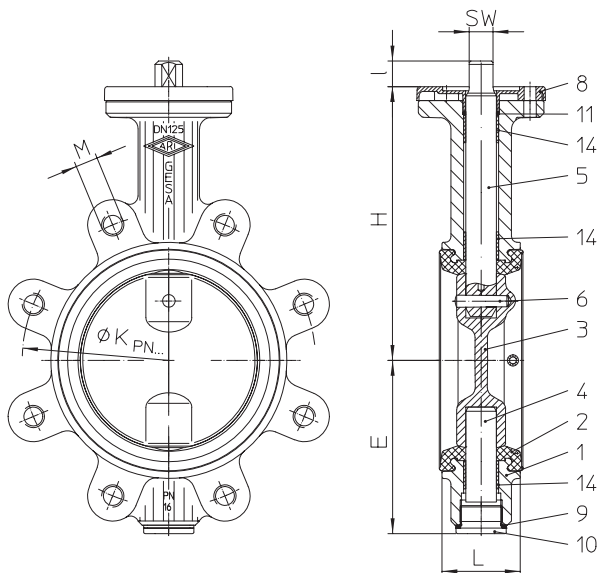
Type AK04 Lug type:

design:	Butterfly Valve Wafer type or Lug type
body:	EN-JS1030
disc:	Stainless steel 1.4581
stem:	1.4021+QT / 1.4571
nominal pressure:	Type AKXX0 PN10 Type AKXX1 PN16 Type AKXX2 PN6
sealing leakage test:	DIN EN 12266-1 Leakage rate A (DIN 3230 T3 Leakage rate 1)
actuation arrangement:	Notch Lever (only up to DN 200) Worm gear / recommended if larger than DN125
seat:	EPDM -10°C up to +130°C NBR-black -10°C up to +80°C FPM 0°C up to +150°C (not useable for hot water)
DVGW registration:	EPDM for drinking water Reg.Nr. DW-6201BR0244 acc. DIN EN 1074-1/-2
leak test:	DIN EN 12266-1 Leakage rate A
max. differential pressure:	DN25 - DN150 16 bar DN200 – DN500 10 bar

Type AK03 butterfly valve wafer type:



AK04 butterfly valve lug type:



dimensions AK03 / AK04:

DN	25	32	40	50	65	80	100	125	150	200	250	300	350	400	500
L	33	33	33	43	46	46	52	56	56	60	68	78	78	102	127
H	128	128	134	140	150	158	179	196	212	246	273	302	358	407	495
E	58	58	66	69	81	100	109	124	140	167	203	232	258	287	354
I	15	15	15	15	15	15	15	18	18	18	24	24	26	42	42
SW	11	11	11	11	11	11	11	17	17	17	22	22	22	30	30
KVS-value	26	26,5	49,6	116	259	377	763	1030	1790	3460	5070	7430	10320	13290	21180
Zeta-value	0,93	2,4	1,7	0,75	0,43	0,46	0,27	0,37	0,25	0,21	0,24	0,23	0,23	0,23	0,22

AK03 butterfly valve wafer type:

	DN	25	32	40	50	65	80	100	125	150	200	250	300	350	400	500
PN6	∅K	75	90	100	110	130	150	170	200	225	280	335	395	on request		
	n x ∅d1	4x11	4x14	4x14	4x14	4x14	4x18	4x18	8x18	8x18	8x18	8x18	8x22			
	quantity	4	4	4	4	4	4	4	8	8	8	12	12			
	G	M10	M12	M12	M12	M12	M16	M16	M16	M16	M16	M16	M20			
	length	80	80	80	90	90	100	110	120	120	130	140	160			

	DN	25	32	40	50	65	80	100	125	150	200	250	300	350	400	500	
PN10	∅K	85	100	110	125	145	160	180	210	240	295	350	400	460	515	620	
	n x ∅d1	4x18	4x18	4x18	4x18	4x18	4x18	4x18	8x18	8x22	8x22	8x22	8x22	4x22	4x28	4x28	
	quantity	4	4	4	4	4	8	8	8	8	8	12	12	16	16	20	
	G	M12	M16	M16	M16	M16	M16	M16	M16	M16	M20	M20	M20	M20	M20	M24	M24
	length	90	90	90	100	110	110	120	130	130	140	150	160	160	200	220	

	DN	25	32	40	50	65	80	100	125	150	200	250	300	350	400	500	
PN16	∅K	85	100	110	125	145	160	180	210	240	295	355	410	470	525	650	
	n x ∅d1	4x14	4x18	4x18	4x18	4x18	8x18	8x18	8x18	8x22	12x22	12x26	12x26	16x26	16x30	20x33	
	quantity	4	4	4	4	4	8	8	8	8	12	12	12	16	16	20	
	G	M12	M16	M16	M16	M16	M16	M16	M16	M16	M20	M20	M24	M24	M24	M27	M30
	length	90	90	90	100	110	110	120	130	130	140	160	170	180	220	260	

AK04 butterfly valve lug type:

	DN	25	32	40	50	65	80	100	125	150	200	250	300	350	400	500	
PN10	∅K	85	100	110	125	145	160	180	210	240	295	350	400	460	515	620	
	n x M	4xM12	4xM16	4xM16	4xM16	4xM16	8xM18	8xM16	8xM16	8xM20	8xM20	12xM20	12xM20	16xM20	16xM24	20xM24	
	quantity	8	8	8	8	8	16	16	16	16	16	24	24	32	32	32 / 8	
	G	M12	M16	M16	M16	M16	M16	M16	M16	M16	M20	M20	M20	M20	M20	M24	M24
	length	30	30	30	35	35	40	40	45	45	50	55	55	60	70	85	

	DN	25	32	40	50	65	80	100	125	150	200	250	300	350	400	500	
PN16	∅K	85	100	110	125	145	160	180	210	240	295	355	410	470	525	650	
	n x M	4xM12	4xM16	4xM16	4xM16	4xM16	8xM16	8xM16	8xM16	8xM20	12xM20	12xM24	12xM24	16xM24	16xM27	20xM30	
	quantity	8	8	8	8	8	16	16	16	16	24	24	24	32	32	32 / 8	
	G	M12	M16	M16	M16	M16	M16	M16	M16	M16	M20	M20	M24	M24	M24	M27	M30
	length	30	30	30	35	35	40	40	45	45	50	55	60	60	75	100	

Weight AK03:

DN	25	32	40	50	65	80	100	125	150	200	250	300	350	400	500
with lever	1,8	1,8	2,0	2,4	3,0	3,6	4,4	7,4	9,4	13,4	-	-	-	-	-
with gear	3,3	3,3	3,5	3,9	4,5	5,1	5,9	8,5	10,5	14,5	24,4	34,4	49	75,6	120

Weight AK04:

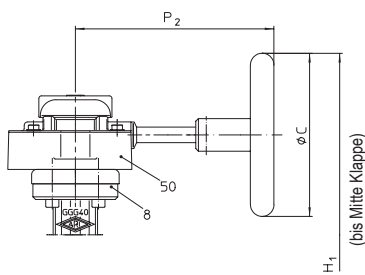
DN	25	32	40	50	65	80	100	125	150	200	250	300	350	400	500
with lever	2,2	2,2	2,4	3,2	3,6	5,2	6,6	9,6	11,8	14,9	-	-	-	-	-
with gear	3,7	3,7	3,9	4,7	5,1	6,7	8,1	10,7	12,9	16	29,8	41	61	97	157

pressure-temperature-ratings:

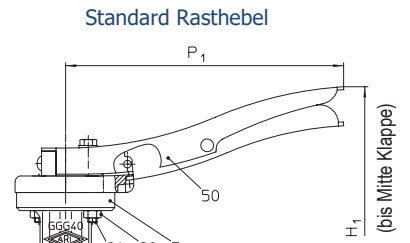
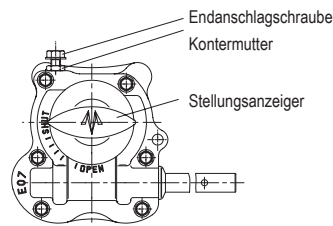
Intermediate values for max. permissible operational pressures can be determined by linear interpolation of the given temperature / pressure chart.

DIN EN 1092-2	-10°C up to 120°C	130°C	150°C
EN JS1030 in bar	16	15,8	15,5

Actuation arrangement



- stufenlos einstellbar
- selbsthemmend



Die ZU-Stellung ist durch eine justierbare Endanschlagschraube auf $\pm 5^\circ$ verstellbar.

DN	25	32	40	50	65	80	100	125	150	200	250	300	350	400	500
H1 with lever	187	187	193	199	209	217	238	263	279	313	--	--	--	--	--
H1 with gear	217	217	223	229	239	247	268	285	301	335	429	457	513	603	691
P1	184	184	184	184	184	184	184	273	273	273	--	--	--	--	--
P2	152	152	152	152	152	152	152	152	152	152	278	278	278	320	320
$\varnothing C$	125	125	125	125	125	125	125	125	125	125	250	250	250	315	315

parts and material:

Pos.	description	AK03 / AK04
1	Body	EN-GJS-400-15,EN-JS1030
2	seal	EPDM 73 / NBR 73 / FPM73
3	disc	1.4581
4	pivot	1.4021+QT
5	stem	1.4021+QT
6	Concival pin	1.4571
8	Isolating flap	PA 6
9	seal ring	CU
10	Locking screw	5.8A2G
11	O-ring	EPDM 73 / NBR 73 / FPM 73
14	cylinder bush	P1

Article number:

type	pressure	seal	actuation	diameter
AK03 – wafer type	0 – PN10	0 – EPDM	00 – notch lever**	05 – DN25
AK04 – lug type	1 – PN16	1 – NBR	01 – worm gear	06 – DN32
	2 – PN6*	2 – FPM		07 – DN40
				08 – DN50
				09 – DN65
				10 – DN80
				11 – DN100
				12 – DN125
				13 – DN150
				14 – DN200
				15 – DN250
				16 – DN300
				17 – DN350
				18 – DN400
				19 – DN500

example no. AK03120115:

AK03 | **1** | **2** | **01** | **15**

Artikel Nr. AK03130115
 Butterfly valve wafer type
 pressure: PN16
 seal: FPM
 actuation: worm gear
 diameter: DN250

* only possible with type AK03, diameter bigger than DN300 on request
 ** only possible till DN200

Image similar, subject change without notice.