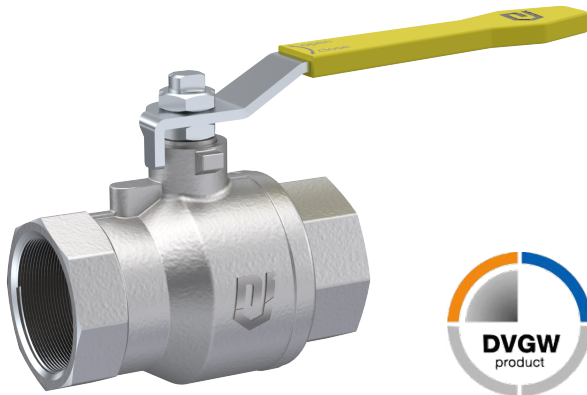


Gas-ball valve stainless steel type GK07 DVGW



Description:

Gas-ball-valve made of stainless steel with full port design. Stainless steel ball and PTFE ball sealing to shut off gas systems. Ball valve with DVGW Gas approval.

Features:

- suited for gas und biogas
- DVGW gas approval
- two - piece body design
- blow out proof stem design

Connection:

1/2", 3/4", 1", 1 1/4", 1 1/2", 2", Inch

Construction:

Full port design

Pressure:

General: 0 – 40 bar
DVGW gas: up to 16 bar

Design:

Two-piece ball valve full port design (screwed design)

Body:

stainless steel 1.4408

Ball:

stainless steel 1.4408

Ball sealing:

PTFE

Stem sealing:

viton / PTFE

Handle:

stainless steel with yellow plastic cover

Temperature:

general -20°C to +180°C / DVGW gas -20°C to +60°C

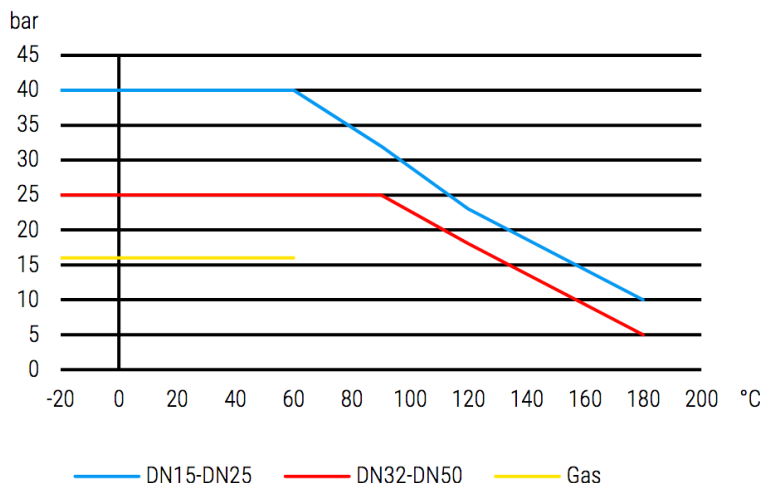
Media:

gas G260/1, biogas G262

Approval:

gas registrated acc. to DIN EN 13774 and VP303 **PN16**
2014/68/EU cat. 3 module H

Druck-Temperatur-Diagramm pressure-temperature-diagram

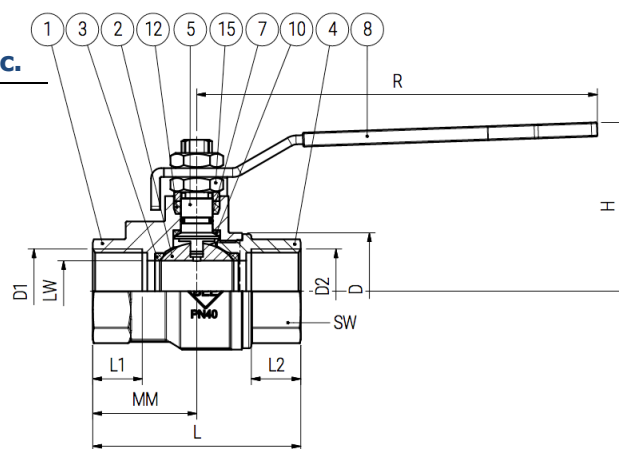


Dimensions:

DN	D1/D2	PN	LW	L	L1/L2	MM	H	D	R	SW
	ISO 7/1	bar	mm	+/- 2	mm	mm	mm	mm	mm	mm
15	Rp 1/2"	40	14	63	15	31,5	48	32	121	25
20	Rp 3/4"	40	19	70	15	35	52	40	121	31
25	Rp 1"	40	24	82	19,5	41	66,5	46	158	38
32	Rp 1 1/4"	25	30	96	21,5	48	71	56	158	48
40	Rp 1 1/2"	25	38	107	21,5	53,5	77	68	158	54
50	Rp 2"	25	47,2	127	26	63,5	85	85	158	66

Material:

Nr.	Description	Material	Material desc.
1	Body	Stainless steel	1.4408
2	Ball	Stainless steel	1.4408
3	Ball seal	PTFE	-
4	Flange / nipple	Stainless steel	1.4408
5	Stem	Stainless steel	1.4404
7	Spindle seal	FKM	-
8	Handle	Stainless steel	1.4301
10	Thrust washer	PTFE GF	-
12	Packing	PTFE	-
15	Packing nut	Stainless steel	A2



Article number:

Type	Version	Seal	Size
GK07	00 – female thread	00 – PTFE	03 – 1/2" 04 – 3/4" 05 – 1" 06 – 1 1/4" 07 – 1 1/2" 08 – 2"

Example no. GK07000005:

GK07	00	00	05
-------------	-----------	-----------	-----------

Gas-ball valve stainless steel

Version: female thread

Seal: PTFE

Size: 1"

Image similar, subject change without notice.