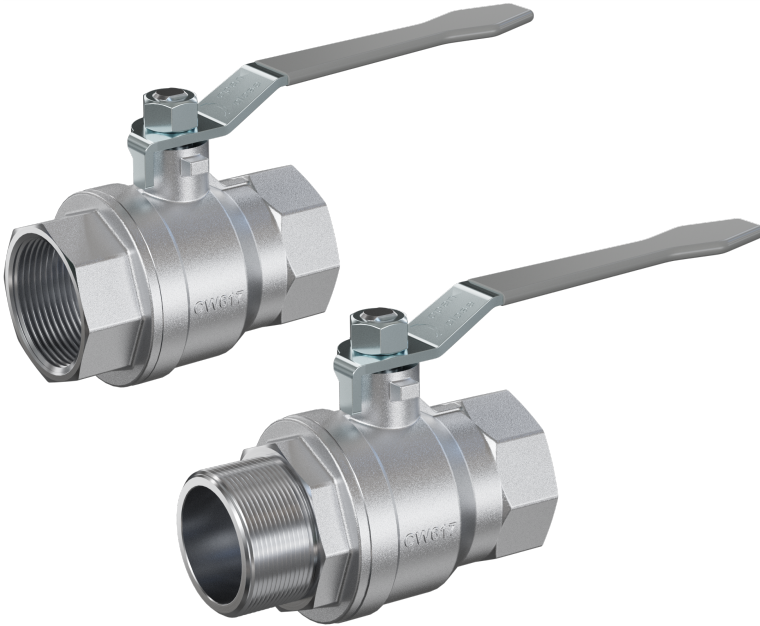


Thread Ball valve Brass type GK02



description:

Thread Ball valve made of Brass with DVGW-G DVGW-W and PED category 1 PED 2014-68-EU and oxygen approval. With chromed brass-ball to shut off pipeline systems.

features:

- suitable for neutral and not neutral **gaseous & liquid media**
- free of silicone
- blow-out proof stem with double O-ring sealing
- strong stem design

connection:

1/4", 3/8", 1/2", 3/4", 1", 1 1/4",
1 1/2", 2" inch

construction:

full port design acc. to DIN EN 1983

pressure:

0 – 40 bar – depending on design

design:

version:

body:

ball:

ball sealing:

stem seal:

handle:

face-to-face length:

temperature:

full port design acc. to DIN EN 1983

DVGW-G and DVGW-W | oxygen application*

CW617N chromed

CW617N chromed

PTFE

double O-ring

lever handle, steel

DIN face-to-face length

in general -20°C to +170°C (depending on working pressure)

gas -20°C to +60°C (acc. to DIN EN 331)

drinking water to +65°C (permanent) +95°C (momentary)

oxygen* -20°C till +60°C (depending on working pressure)

* use oil- and grease-free and with lubricant suitable for oxygen. Individually packaged.

pressure-temperature diagram for in general / DVGW-W drinking water / DVGW-G gas:

classification acc. to PED category 1 PED 2014-68-EU

Druck-Temperatur-Diagramm pressure-temperature-diagram

DVGW-G (gas approval):

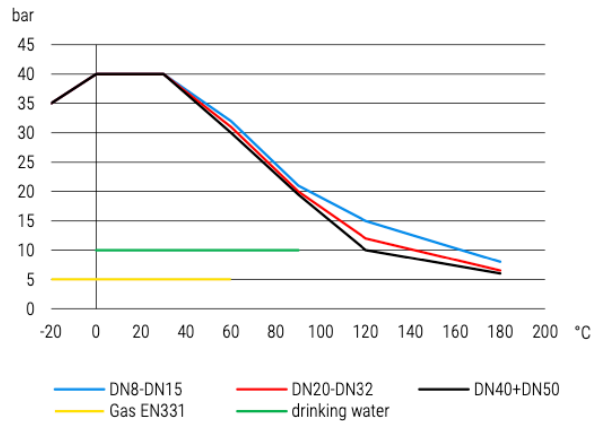
- MOP 5 acc. to DIN EN 331
- HTB certified acc. to EN 331 MOP5 B0 1

DVGW approval acc. to gas appliance regulation
GAR EU-2016-426

DVGW-W (drinking water approval):

- PN10 acc. to DIN EN 13828 W 570-1

LABS conformity acc. to VDMA 24364

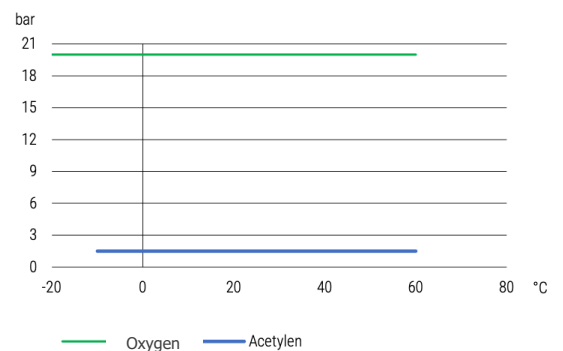


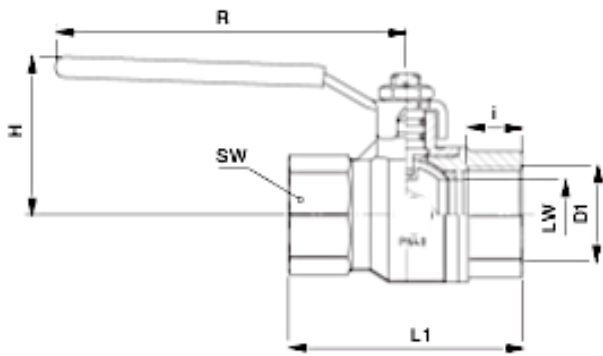
pressure-temperature diagram for oxygen/ acetylen:

Classification acc. to PED category 1 PED 2014-68-EU

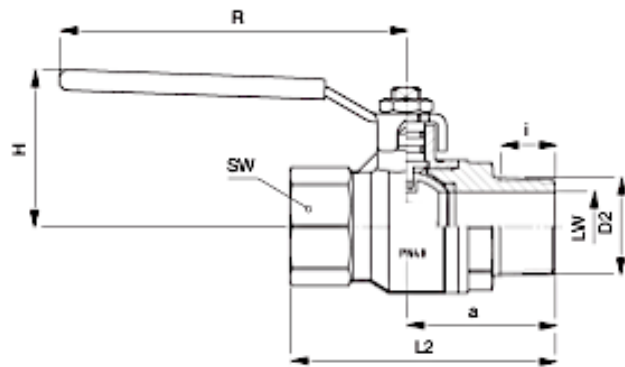
Druck-Temperatur-Diagramm pressure-temperature-diagram

LABS conformity acc. to VDMA 24364





type **GK0200** with IG x IG



type **GK0201** with IG x AG

dimensions for version drinking water / gas:

DN	LW	PN	D1	D2	L1	L2	i *	a	H	R	SW	weight
			DIN EN 10226-1	ISO 7/1	+/- 2	+/- 2						in kg
8	9	40	Rp 1/4"	R 1/4"	45,5	55,5	11	22,5	34,5	81	20	0,152
10	9	40	Rp 3/8"	R 3/8"	46	56,5	11,5	23	34,5	81	20	0,154
15	14	40	Rp 1/2"	R 1/2"	60	72,0	15	30	39	102	25	0,255
20	19	40	Rp 3/4"	R 3/4"	70	83,0	16	35	42	102	31	0,398
25	24	40	Rp 1"	R 1"	80	91,5	19	40	52	121	38	0,589
32	30	40	Rp 1 1/4"	R 1 1/4"	94	107,5	21	47	56	121	48	0,857
40	38	40	Rp 1 1/2"	R 1 1/2"	103	115,5	21	51,5	71,5	158	54	1,217
50	47	40	Rp 2"	R 2"	123	133,0	25	61,5	79,5	158	66	1,789

dimensions for version oxygen:

DN	LW	PN	D1	L1	i *	a	H	R	SW	weight
			DIN EN 10226-1	+/- 2						in kg
8	9	40	Rp 1/4"	50	11	22,5	37	82	20	0,146
10	9	40	Rp 3/8"	60	11,5	23	37	82	20	0,139
15	14	40	Rp 1/2"	75	15	30	42	100	25	0,238
20	19	40	Rp 3/4"	80	16	35	45	100	31	0,328
25	24	40	Rp 1"	90	19	40	54	120	38	0,526
32	30	40	Rp 1 1/4"	110	21	47	58	120	48	0,802
40	38	40	Rp 1 1/2"	120	21	51,5	73	160	54	1,140
50	47	40	Rp 2"	140	25	61,5	81	160	66	1,750

article number:

Type	thread	version	Size
GK02	00 – female thread	00 – DVGW-W / DVGW-G	01 – 1/4"
			02 – 3/8"
	01 – female x male thread	01 – oxygen**	03 – 1/2"
			04 – 3/4"
			05 – 1"
			06 – 1 1/4"
			07 – 1 1/2"
			08 – 2"

Example no. GK02000005:

GK02 | **00** | **00** | **05**

Thread ball valve made of brass
 Version: female thread
 Seal: PTFE
 Size: 1"

** version oxygen only available for „00 – female thread“

Image similar, subject change without notice.